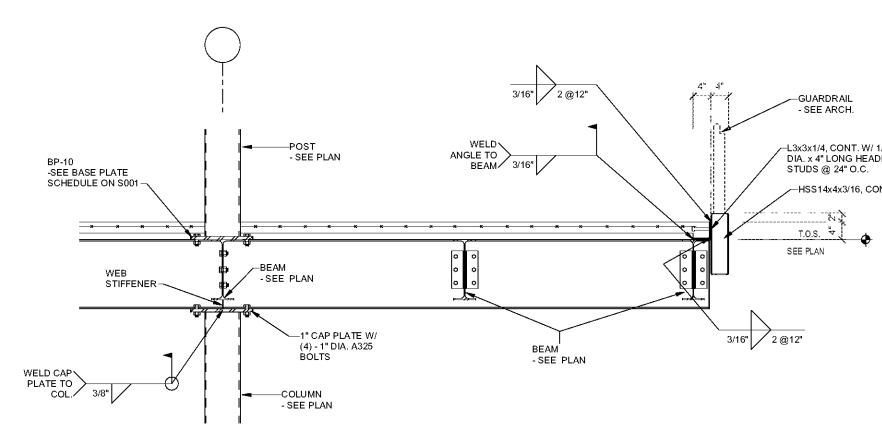
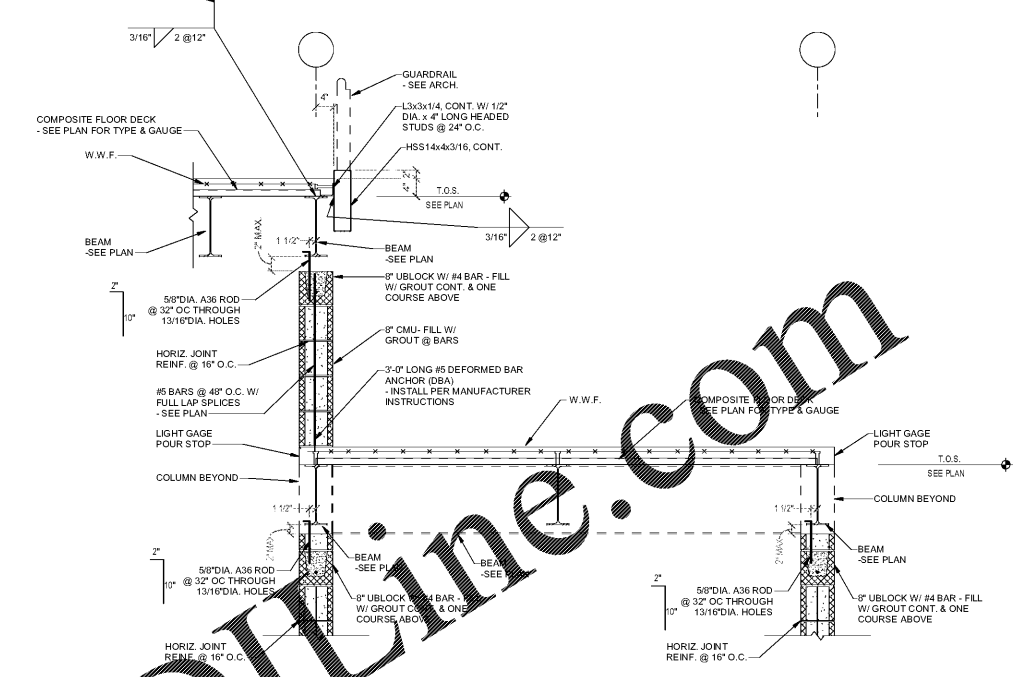


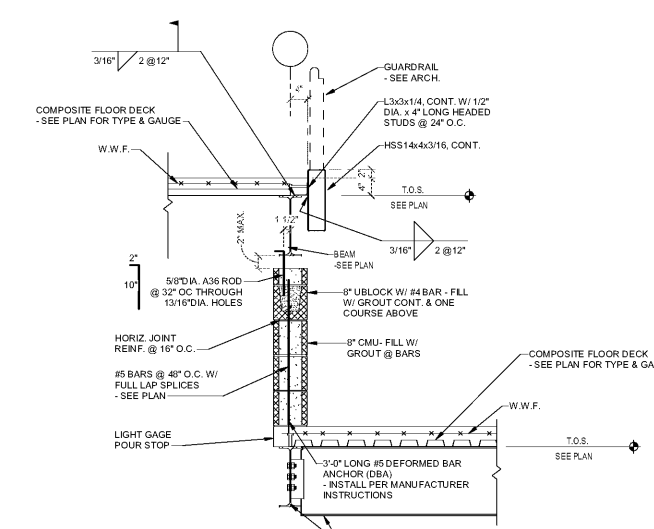
1 GYM MEZZANINE FRAMING 1
S308 3/4" = 1'-0"



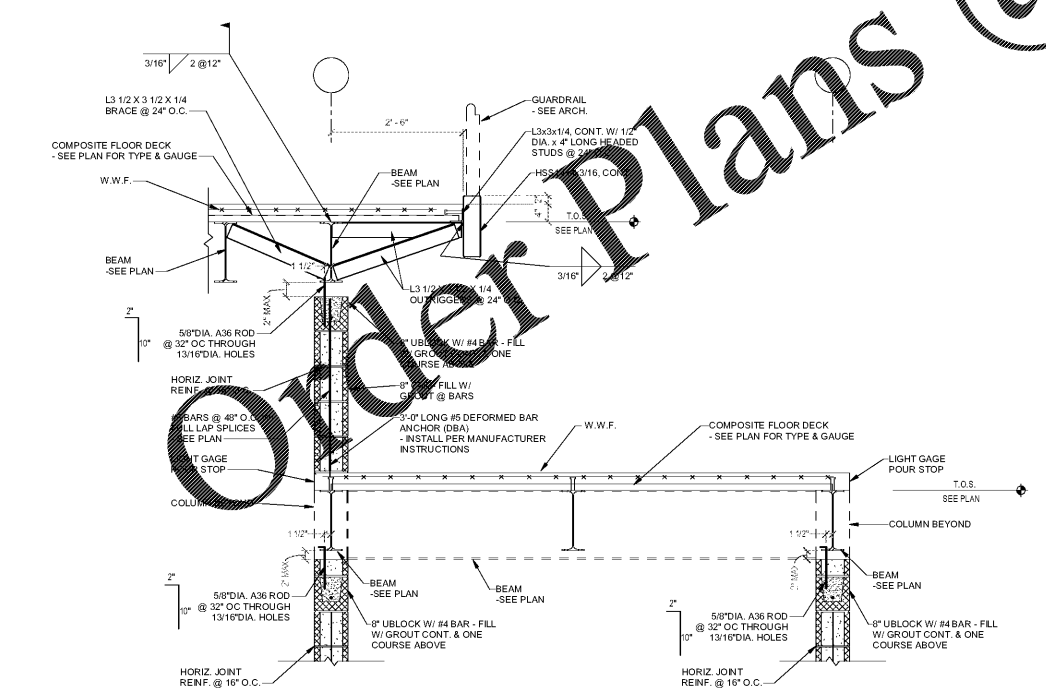
2 GYM MEZZANINE FRAMING 2
S308 3/4" = 1'-0"



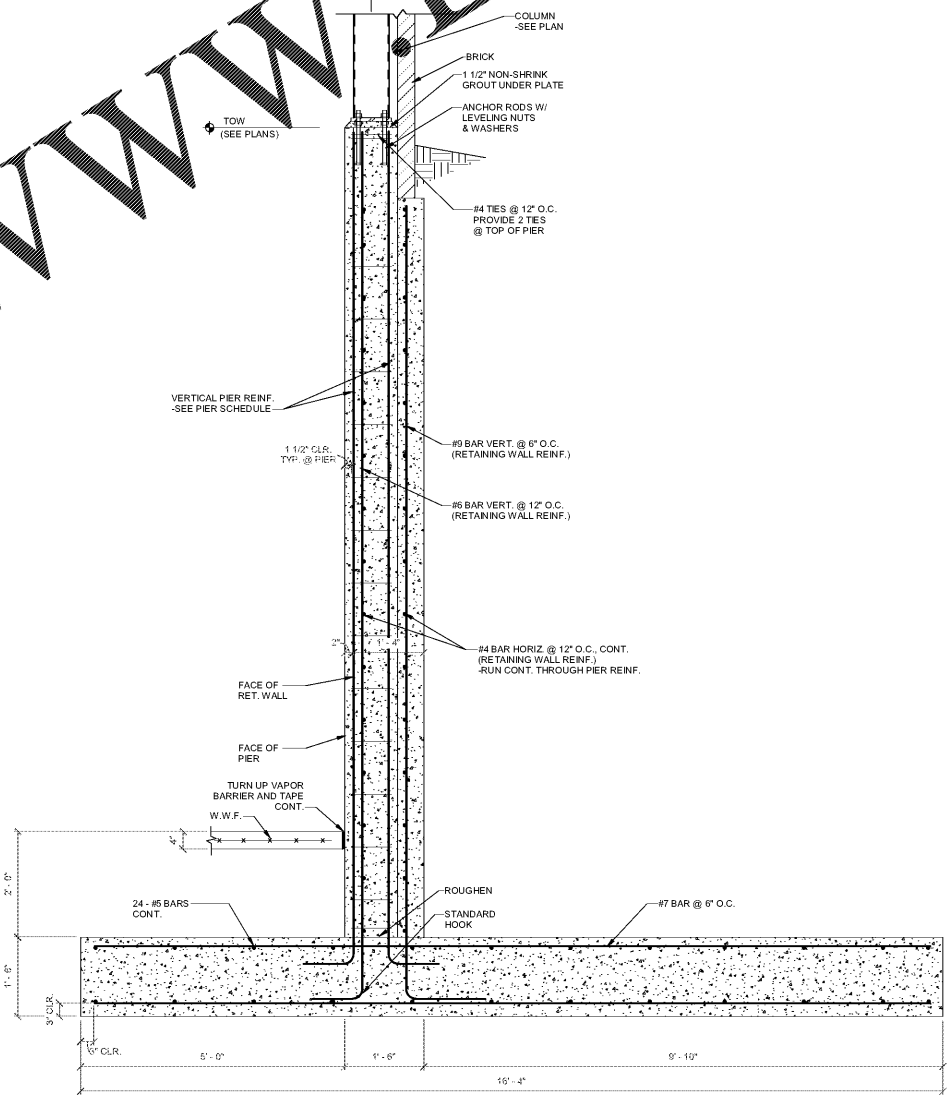
3 GYM MEZZANINE FRAMING 3
S308 3/4" = 1'-0"



4 GYM MEZZANINE FRAMING 4
S308 3/4" = 1'-0"



5 GYM MEZZANINE FRAMING 5
S308 3/4" = 1'-0"



6 GYMNASIUM RETAINING WALL SECTION COLUMN 3
S308 3/4" = 1'-0"

Order Plans @ WWW.LDILINE.COM

| | |
|---|----------------|
| SA&E PROJECT NUMBER | 01-615-056 |
| BID PACKAGE | BP-1 |
| ISSUED FOR CONSTRUCTION | 10/15/2019 |
| Southern AE 7951 Tricon Circle Austell, Ga 30168 (770) 519-7777 architects & engineers | REVISIONS |
| | R # Doc # Date |
| | |

FACILITY CODE NUMBER: 674-0110
 GYMNASIUM/AUDITORIUM FOR:
HEARD COUNTY SCHOOLS
 545 MAIN STREET, FRANKLIN, GA 30217
HEARD COUNTY SCHOOL SYSTEM
 FRANKLIN, GEORGIA

| | | |
|---------|--|----------------|
| DETAILS | | DRAWING NUMBER |
| | | S308 |