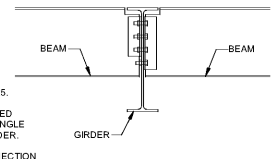
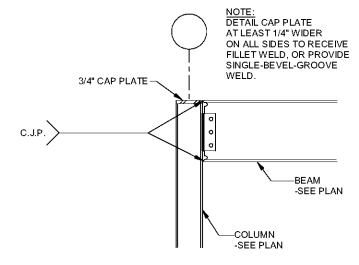


BEAM & COLUMN CONNECTION DETAILS

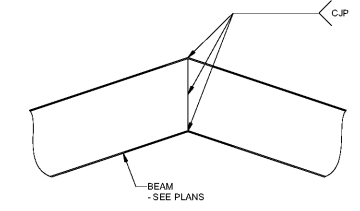
- CONNECTION NOTES:**
1. DESIGN BEAM CONNECTION TO GIRDER FOR REACTION SHOWN ON FRAMING PLAN. SEE FRAMING PLAN NOTES TO DETERMINE IF REACTION GIVEN IS FACTORED (LRF) OR UNFACTORED (ASD).
 2. BOLTS SHOULD BE A MINIMUM OF 3/4" DIA., A325.
 3. AN EXTRA ROW OF BOLTS SHOULD BE PROVIDED FOR ERECTION PURPOSES WHEN A DOUBLE-ANGLE CONNECTION IS USED ON BOTH SIDES OF GIRDER.
 4. ALTERNATIVELY TO THE DOUBLE-ANGLE CONNECTION SHOWN, A PROPERLY DESIGNED SINGLE-PLATE OR SINGLE-ANGLE CONNECTION MAY BE USED.



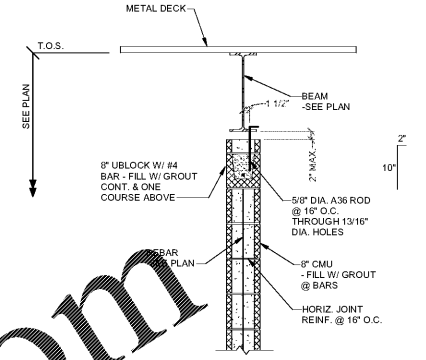
TYPICAL BEAM/GIRDER CONNECTION



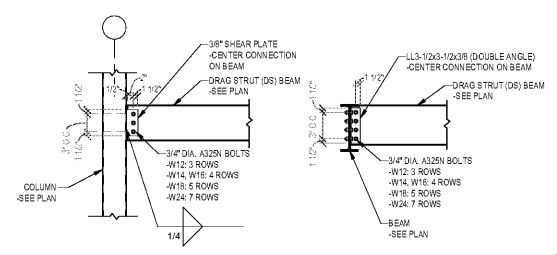
TYPICAL MOMENT CONNECTION



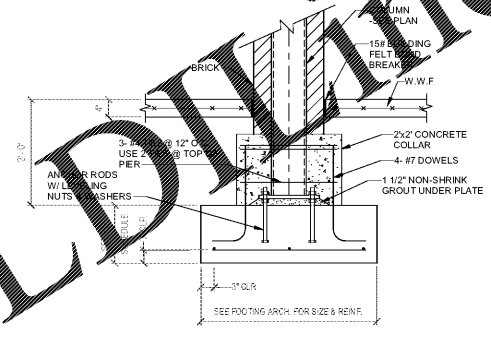
TYPICAL RIDGE MOMENT CONNECTION DETAIL



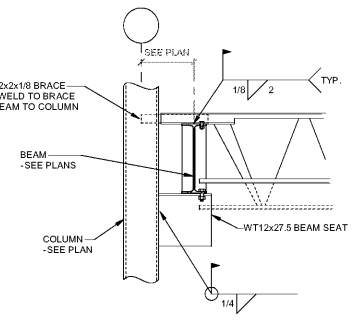
TYPICAL INTERIOR SHEAR WALL ATTACHMENT DETAIL



DRAG STRUT (DS) CONNECTIONS



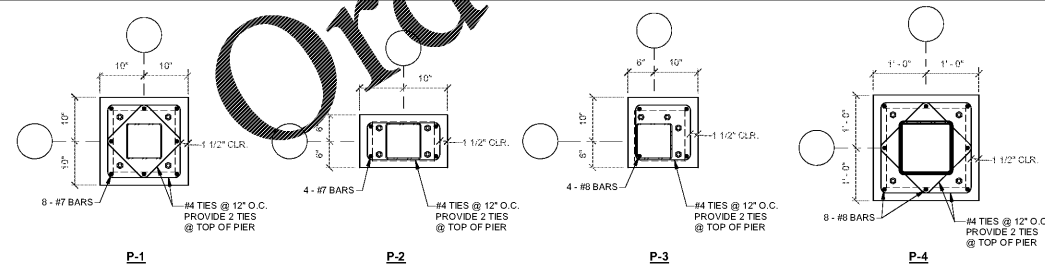
FIXED BASE COLUMN DETAIL



BEAM SEAT DETAIL

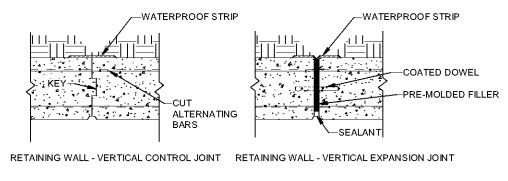
Order Plans @ www.LDOnline.com

PIER SCHEDULE

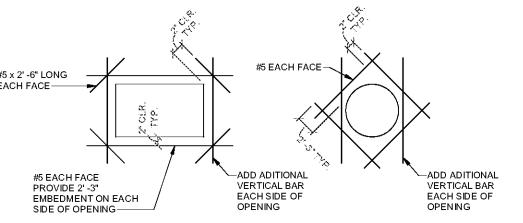


- NOTES:**
1. WALL REINFORCING BARS ARE TO BE CONTINUOUS THROUGH PIERS.
 2. TOP OF PIER IS TO BE 0" BELOW F.F.E., U.N.O.

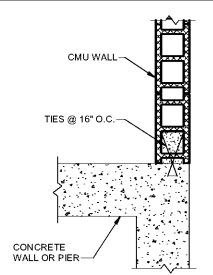
TYPICAL CONCRETE WALL DETAILS



- NOTE:**
- PROVIDE CONTROL AND/OR CONSTRUCTION JOINTS IN CONCRETE RETAINING WALLS ABOUT EVERY 25' AND EXPANSION JOINTS ABOUT EVERY FOURTH CONTROL AND/OR CONSTRUCTION JOINT. COATED DOWELS SHOULD BE USED IF AVERAGE WALL HEIGHT ON EITHER SIDE OF A JOINT IS DIFFERENT. DOWEL: 1"x 2'-0" PLAN ROUND @ 12" O.C.



CONC. WALL OPENING DETAILS



TYPICAL BOND DETAIL AT INTERSECTION OF BLOCK & CONCRETE WALLS

SA&E PROJECT NUMBER	01-615-056
BID PACKAGE	BP-1
ISSUED FOR CONSTRUCTION	10/15/2019
Southern AE	REVISIONS
7951 Troon Circle Austell, Ga 30168 (770) 819-7777	R # Doc # Date
architects & engineers	
<p>FACILITY CODE NUMBER: 674-0110</p> <p>GYMNASIUM/AUDITORIUM FOR:</p> <p>HEARD COUNTY SCHOOLS</p> <p>545 MAIN STREET, FRANKLIN, GA 30217</p> <p>HEARD COUNTY SCHOOL SYSTEM</p> <p>FRANKLIN, GEORGIA</p>	
STANDARD DETAILS	
	DRAWING NUMBER
	S002