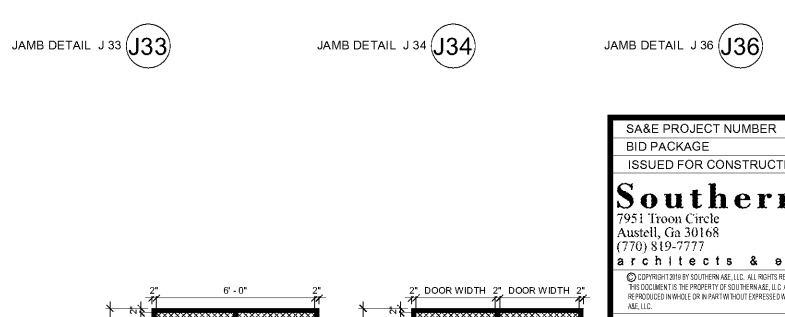
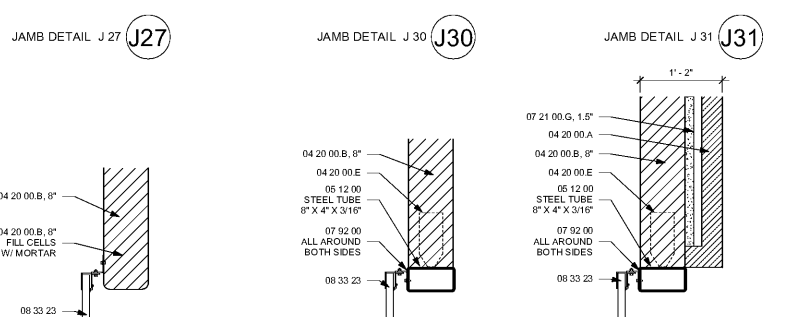
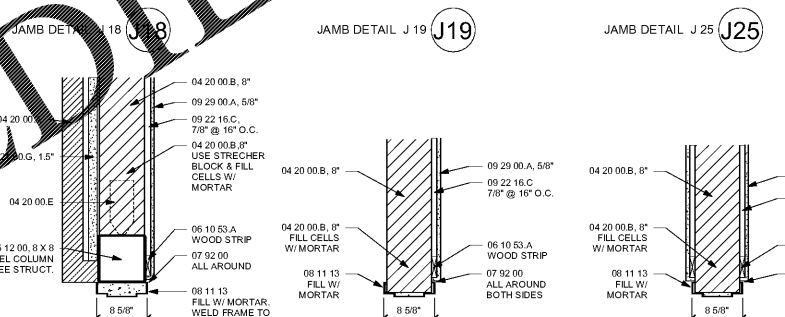
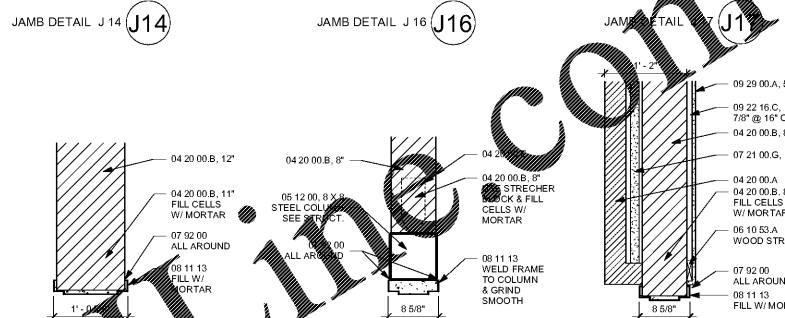
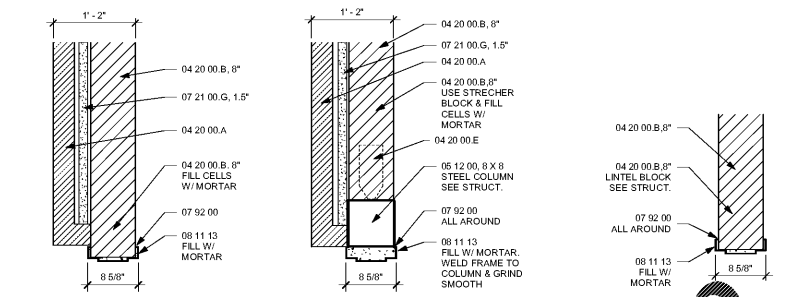


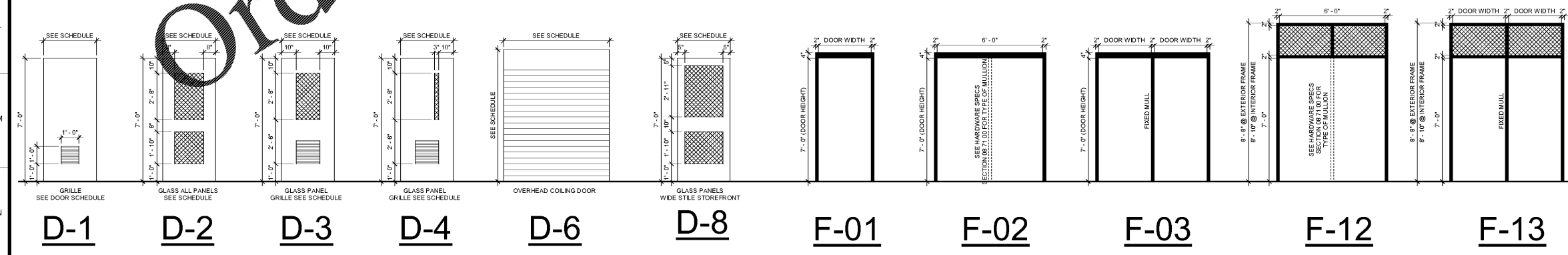
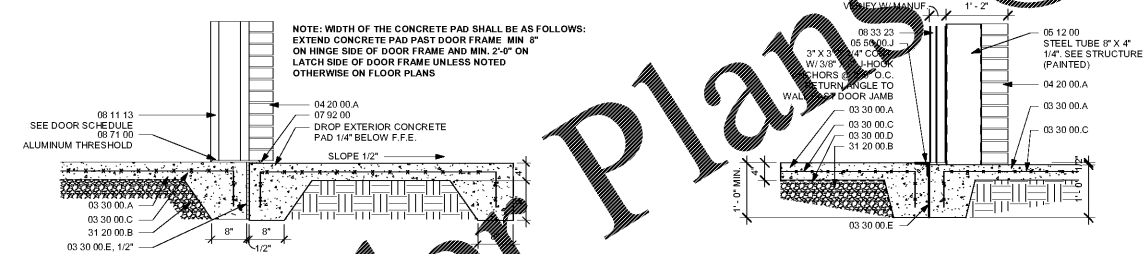
DOOR & FRAME SCHEDULE - LEVEL 01 - AUDITORIUM

DOOR NUMBER	FRAME ELEVATION	FRAME MATERIAL	RATED FRAME	SIZE		DETAILS		THRESHOLD	SIGNAGE	STOPS	DOOR ELEVATION	DOOR MATERIAL	ELECTRICAL HARDWARE		SIZE			REMARKS	
				JAMB WIDTH	HEAD HEIGHT	HEAD	JAMB						ACCESS CONTROL	DOOR CONTACTS	WIDTH	HEIGHT	PAIR		RATING
140a	0W05	CURTAIN WALL			10514		40513	ALUMINUM		POST MOUNTED	D-8	ALUMINUM C.W.	X	X	3'-0"	7'-0"	X		PROVIDE METAL FLOOR GRILLE. SEE DETAIL S108
140c	0W04	CURTAIN WALL			10513		40513	ALUMINUM		POST MOUNTED	D-8	ALUMINUM C.W.	X	X	3'-0"	7'-0"	X		PROVIDE METAL FLOOR GRILLE. SEE DETAIL S108
140d	0W04	CURTAIN WALL			10514		40514	ALUMINUM		POST MOUNTED	D-8	ALUMINUM C.W.	X	X	3'-0"	7'-0"	X		PROVIDE METAL FLOOR GRILLE. SEE DETAIL S108
140f	0W04	CURTAIN WALL			10513		40514	ALUMINUM		POST MOUNTED	D-8	ALUMINUM C.W.	X	X	3'-0"	7'-0"	X		PROVIDE METAL FLOOR GRILLE. SEE DETAIL S108
141a	F01	HOLLOW METAL	X	8.59"	7'-4"	H08	J30	RUBBER			D-4	SOLID CORE WOOD			3'-0"	7'-0"	45 MIN		
141b	F01	HOLLOW METAL		8.59"	7'-4"	H02	J17				D-1	SOLID CORE WOOD			3'-0"	7'-0"			
142a	F01	HOLLOW METAL		8.59"	7'-4"	H02	J17				D-1	SOLID CORE WOOD			3'-0"	7'-0"			
143a	F03	HOLLOW METAL	X	8.59"	7'-4"	H08	J30	RUBBER			D-1	SOLID CORE WOOD			3'-0"	7'-0"	X	45 MIN	
144a	F01	HOLLOW METAL		8.59"	7'-4"	H02	J17				D-1	SOLID CORE WOOD			3'-0"	7'-0"			
145a	F03	HOLLOW METAL	X	8.59"	7'-4"	H08	J30	RUBBER			D-1	SOLID CORE WOOD			3'-0"	7'-0"	X	45 MIN	
146a	F01	HOLLOW METAL		8.59"	7'-4"	H02	J17				D-1	SOLID CORE WOOD			3'-0"	7'-0"			
147a	F01	HOLLOW METAL	X	8.59"	7'-4"	H08	J30	RUBBER	TYPE A		D-1	SOLID CORE WOOD			3'-0"	7'-0"	45 MIN		
147b	F01	HOLLOW METAL	X	8.59"	7'-4"	H02	J17	RUBBER			D-1	SOLID CORE WOOD			3'-0"	7'-0"	45 MIN		
147c	F01	HOLLOW METAL		8.59"	7'-4"	H02	J17				D-1	SOLID CORE WOOD			3'-0"	7'-0"			
147d	F01	HOLLOW METAL	X	8.59"	7'-4"	H02	J17				D-1	SOLID CORE WOOD			3'-0"	7'-0"			
147e	F01	HOLLOW METAL		8.59"	7'-4"	H02	J17				D-1	SOLID CORE WOOD			3'-0"	7'-0"			
150a	F01	HOLLOW METAL		8.59"	7'-4"	H02	J17	MARBLE	TYPE C-1		D-1	SOLID CORE WOOD			3'-0"	7'-0"			
150b	F01	HOLLOW METAL		8.59"	7'-4"	H02	J17				D-1	SOLID CORE WOOD			3'-0"	7'-0"			
152a	F01	HOLLOW METAL		8.59"	7'-4"	H02	J17	MARBLE	TYPE C-2		D-1	SOLID CORE WOOD			3'-0"	7'-0"			
152b	F01	HOLLOW METAL		8.59"	7'-4"	H02	J17				D-1	SOLID CORE WOOD			3'-0"	7'-0"			
153a	F01	HOLLOW METAL	X	8.59"	7'-4"	H02	J17	MARBLE	TYPE B		D-1	SOLID CORE WOOD			3'-0"	7'-0"	45 MIN		
153b	F02	HOLLOW METAL		8.59"	7'-4"	H02	J17				D-1	SOLID CORE WOOD			3'-0"	7'-0"			
155a	F02	HOLLOW METAL	X	11'-0.56"	7'-4"	H03	J18	ALUMINUM			D-1	SOLID CORE WOOD			3'-0"	7'-0"	X	45 MIN	
155b	F02	HOLLOW METAL		8.59"	7'-4"	H10	J14	ALUMINUM		WALL MOUNTED	D-2	FRP	X	X	3'-0"	7'-0"	X		
156a	F01	HOLLOW METAL	X	8.59"	7'-4"	H02	J17		TYPE E		D-1	SOLID CORE WOOD			3'-0"	7'-0"	45 MIN		
157a	F01	HOLLOW METAL	X	8.59"	7'-4"	H02	J17	ALUMINUM			D-1	SOLID CORE WOOD			3'-0"	7'-0"	45 MIN		
158a	F03	HOLLOW METAL		8.59"	7'-4"	H03	J18				D-1	SOLID CORE WOOD			3'-0"	7'-0"	X	45 MIN	
158b	F03	HOLLOW METAL		8.59"	7'-4"	H02	J17				D-1	SOLID CORE WOOD			3'-0"	7'-0"	X	45 MIN	
158c	F02	HOLLOW METAL	X	8.59"	7'-4"	H08	J30	RUBBER			D-1	SOLID CORE WOOD			3'-0"	7'-0"	X	45 MIN	
158d	F01	HOLLOW METAL	X	11'-0.56"	7'-4"	H03	J18		TYPE A		D-1	FRP			3'-0"	7'-0"	X	45 MIN	
158e	F01	HOLLOW METAL	X	8.59"	7'-4"	H02	J17		TYPE A		D-1	SOLID CORE WOOD			3'-0"	7'-0"	45 MIN		
161a	F01	HOLLOW METAL	X	8.59"	7'-4"	H02	J17		TYPE A		D-1	SOLID CORE WOOD			3'-0"	7'-0"	45 MIN		
161b	F01	STEEL		10'-0"	10'-0"	H20	J34	ALUMINUM			D-6	STEEL			10'-0"	10'-0"	45 MIN	ELECTRIC OPERATED	
162a	F01	HOLLOW METAL		8.59"	7'-4"	H02	J17	ALUMINUM			D-2	SOLID CORE WOOD			4'-0"	7'-0"			
162b	F01	HOLLOW METAL		8.59"	7'-4"	H10	J14	ALUMINUM		WALL MOUNTED	D-1	FRP	X		4'-0"	7'-0"			
163a	F01	HOLLOW METAL	X	11'-0.56"	7'-4"	H03	J18	ALUMINUM	TYPE A-1		D-1	SOLID CORE WOOD			3'-0"	7'-0"	45 MIN		
163b	F01	STEEL	X	10'-0"	10'-0"	H20	J34	ALUMINUM			D-6	STEEL			10'-0"	10'-0"	45 MIN	ELECTRIC OPERATED	
163c	F01	STEEL		10'-0"	10'-0"	H20	J34	ALUMINUM			D-6	STEEL			10'-0"	10'-0"	45 MIN	ELECTRIC OPERATED	
163d	F01	HOLLOW METAL		8.59"	7'-4"	H10	J14	ALUMINUM			D-1	FRP	X	X	3'-0"	7'-0"			
164a	F01	HOLLOW METAL	X	8.59"	7'-4"	H02	J17	MARBLE	TYPE C-2		D-1	SOLID CORE WOOD			3'-0"	7'-0"	45 MIN		
165a	F01	HOLLOW METAL	X	11'-0.56"	7'-4"	H03	J18	ALUMINUM	TYPE A-1		D-1	SOLID CORE WOOD			3'-0"	7'-0"	45 MIN		
166a	F01	HOLLOW METAL		8.59"	7'-4"	H02	J17		TYPE C-2		D-1	SOLID CORE WOOD			3'-0"	7'-0"			
166b	SEE A402	HOLLOW METAL		4.34"	7'-4"	H02	J17				D-1	SOLID CORE WOOD			3'-0"	7'-0"			
166c	SEE A402	HOLLOW METAL		4.34"	7'-4"	H02	J17				D-1	SOLID CORE WOOD			3'-0"	7'-0"			
166d	SEE A402	HOLLOW METAL		4.34"	7'-4"	H02	J17				D-1	SOLID CORE WOOD			3'-0"	7'-0"			
166e	SEE A402	HOLLOW METAL		4.34"	7'-4"	H02	J17				D-1	SOLID CORE WOOD			3'-0"	7'-0"			
166f	SEE A402	HOLLOW METAL		4.34"	7'-4"	H02	J17				D-1	SOLID CORE WOOD			3'-0"	7'-0"			
166g	SEE A402	HOLLOW METAL	X	8.59"	7'-4"	H02	J17	MARBLE	TYPE C-1		D-1	SOLID CORE WOOD			3'-0"	7'-0"	45 MIN		
166h	F01	HOLLOW METAL	X	11'-0.56"	7'-4"	H03	J18	ALUMINUM	TYPE A-1		D-1	SOLID CORE WOOD			3'-0"	7'-0"	45 MIN		
166i	F01	HOLLOW METAL	X	8.59"	7'-4"	H02	J17		TYPE C-1		D-1	SOLID CORE WOOD			3'-0"	7'-0"	45 MIN		
170a	F01	HOLLOW METAL	X	11'-0.56"	7'-4"	H03	J18	ALUMINUM	TYPE A-1		D-1	SOLID CORE WOOD			3'-0"	7'-0"	X	45 MIN	



DOOR & FRAME SCHEDULE - LEVEL 02 - AUDITORIUM

DOOR NUMBER	FRAME ELEVATION	FRAME MATERIAL	RATED FRAME	SIZE		DETAILS		THRESHOLD	SIGNAGE	STOPS	DOOR ELEVATION	DOOR MATERIAL	ELECTRICAL HARDWARE		SIZE			REMARKS
				JAMB WIDTH	HEAD HEIGHT	HEAD	JAMB						ACCESS CONTROL	DOOR CONTACTS	WIDTH	HEIGHT	PAIR	
213a	F01	HOLLOW METAL	X	8.59"	7'-4"	H02	J17	RUBBER	TYPE E		D-1	SOLID CORE WOOD			3'-0"	7'-0"	45 MIN	
214a	F01	HOLLOW METAL	X	8.59"	7'-4"	H02	J17	MARBLE	TYPE B		D-1	SOLID CORE WOOD			3'-0"	7'-0"	45 MIN	
215a	F01	HOLLOW METAL		8.59"	7'-4"	H10	J14	ALUMINUM			D-1	FRP	X		4'-0"	7'-0"		PROVIDE 12" X 12" DOOR GRILLE
216a	F01	HOLLOW METAL		8.59"	7'-4"	H10	J14	ALUMINUM			D-1	FRP	X		4'-0"	7'-0"		
217a	F01	HOLLOW METAL		8.59"	7'-4"	H10	J14	ALUMINUM			D-1	FRP	X		4'-0"	7'-0"	X	
218a	F01	HOLLOW METAL	X	8.59"	7'-4"	H02	J17		TYPE E		D-1	FRP			3'-0"	7'-0"	45 MIN	PROVIDE 12" X 12" DOOR GRILLE



SA&E PROJECT NUMBER: 01-615-056
 BID PACKAGE: BP-1
 ISSUED FOR CONSTRUCTION: 10/15/2019
Southern AE
 7951 Truon Circle
 Austell, Ga 30168
 (770) 519-7777
 architects & engineers

FACILITY CODE NUMBER: 674-0110
GYMNASIUM/AUDITORIUM FOR:
HEARD COUNTY SCHOOLS
 545 MAIN STREET, FRANKLIN, GA 30217
HEARD COUNTY SCHOOL SYSTEM
 FRANKLIN, GEORGIA

SCHEDULES

DRAWING NUMBER: A602