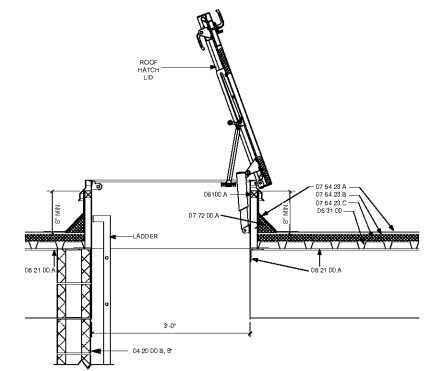
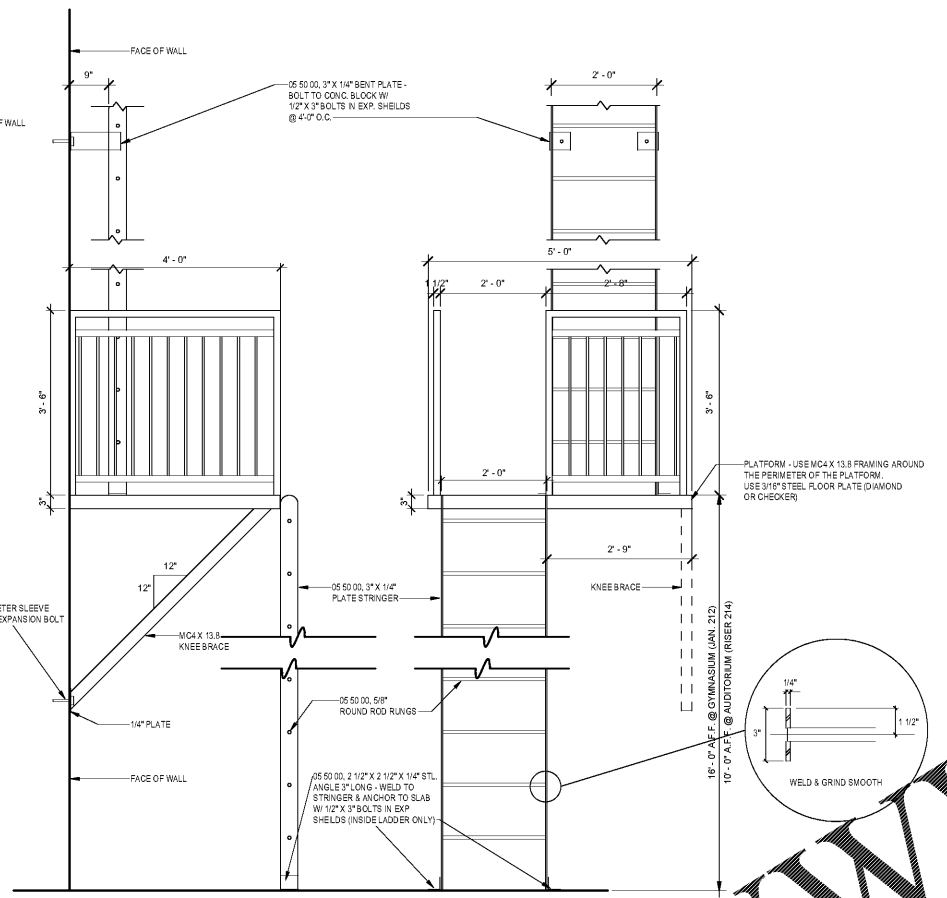


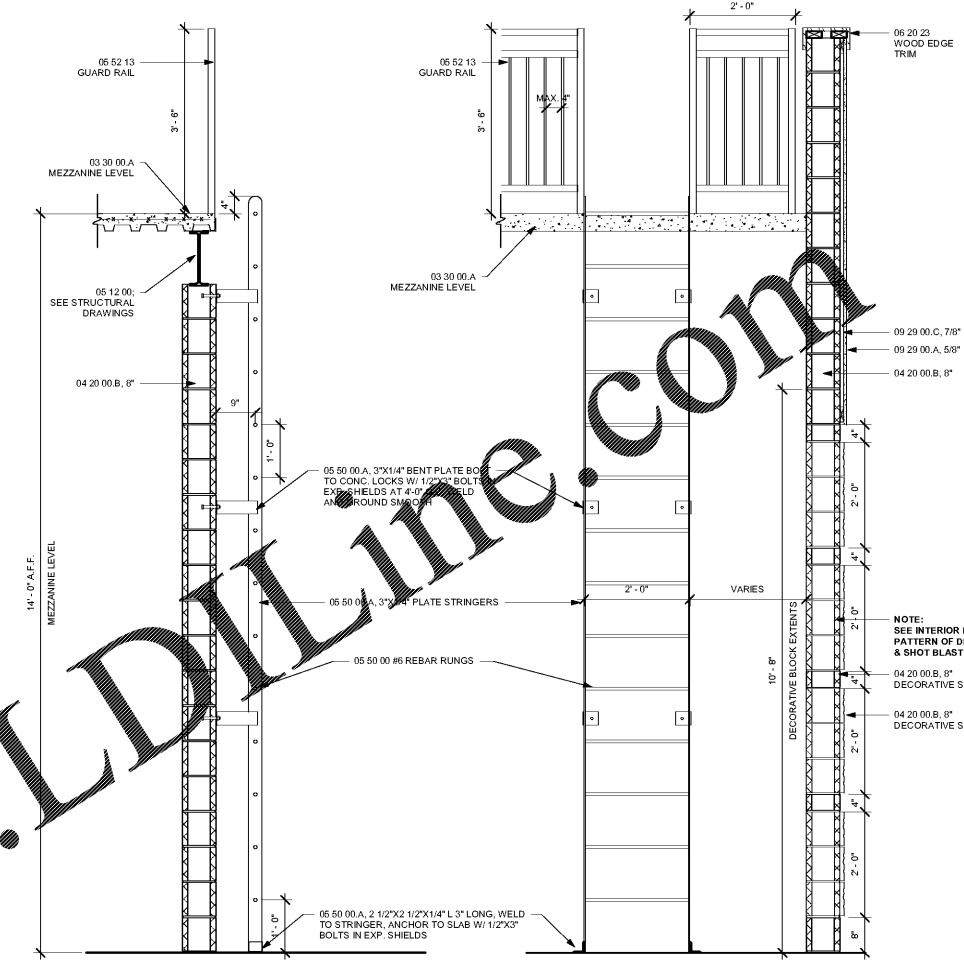
PLAN VIEW



ROOF HATCH DETAIL



SECTION

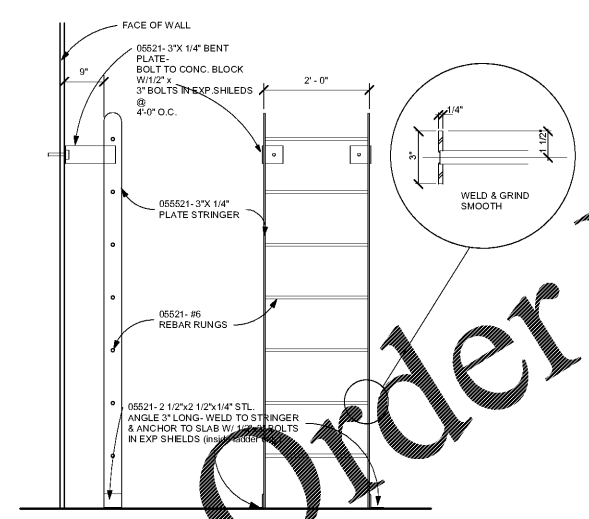


SECTION

ELEVATION

1 TYPICAL DETAIL - ROOF ACCESS LADDER
3/4" = 1'-0"

2 TYPICAL DETAIL - AUDITORIUM MEZZANINE ACCESS LADDER
3/4" = 1'-0"



3 TYPICAL DETAIL - STEEL LADDER @ ELEVATOR PIT
3/4" = 1'-0"

SA&E PROJECT NUMBER	01-615-056
BID PACKAGE	BP-1
ISSUED FOR CONSTRUCTION	10/15/2019
Southern AE	
7951 Troon Circle Austell, Ga 30168 (770) 819-7777	R # Doc # Date 1 AD1 11.4.2019
architects & engineers	

FACILITY CODE NUMBER: 674-0110
GYMNASIUM/AUDITORIUM FOR:
HEARD COUNTY SCHOOLS
 545 MAIN STREET, FRANKLIN, GA 30217
HEARD COUNTY SCHOOL SYSTEM
 FRANKLIN, GEORGIA

LADDER DETAILS	
DRAWING NUMBER	A516