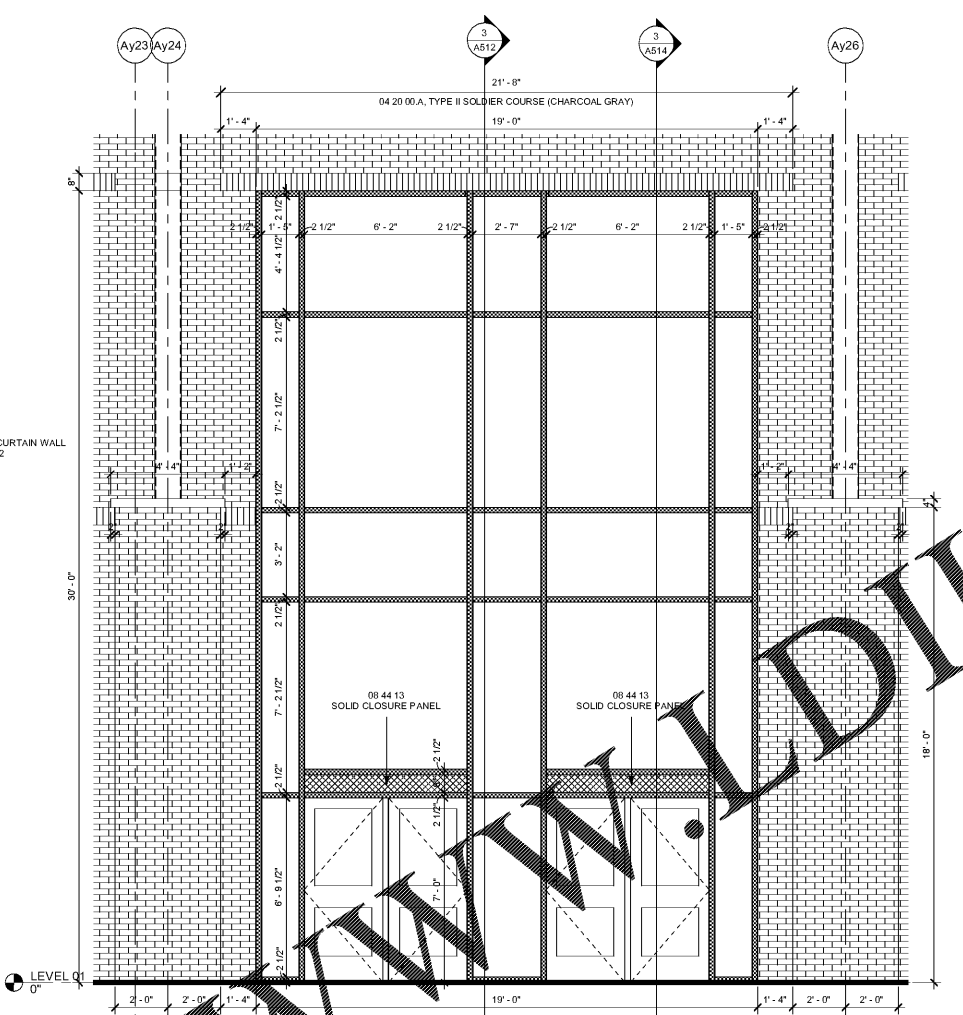


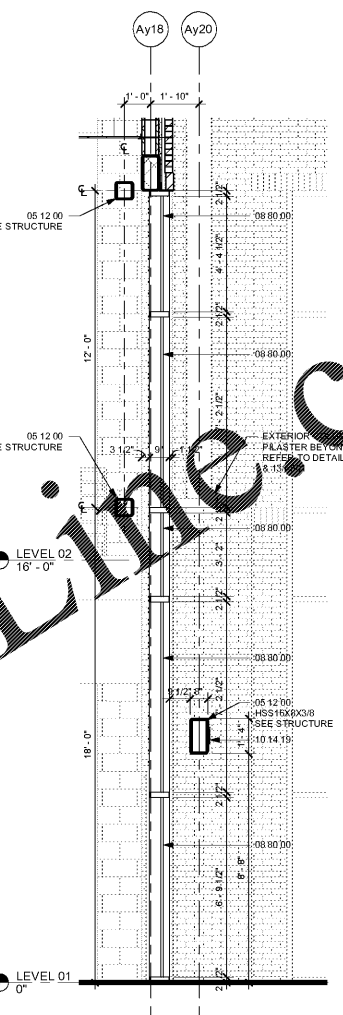
WINDOW	CW-03
MATERIAL	ALUMINUM
TYPE	FIXED
RATING	NONE
SPEC.	08 44 13
GLASS	INSULATED/TEMPERED

1 TYPICAL ELEVATION - SOUTH CURTAIN WALL (CW-03)  
3/8" = 1'-0"

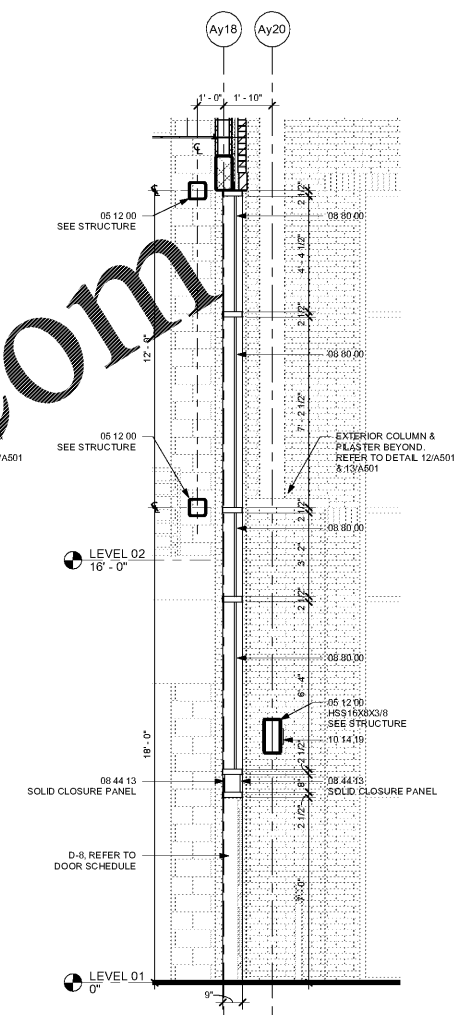


WINDOW	CW-04
MATERIAL	ALUMINUM
TYPE	FIXED
RATING	NONE
SPEC.	08 44 13
GLASS	INSULATED/TEMPERED

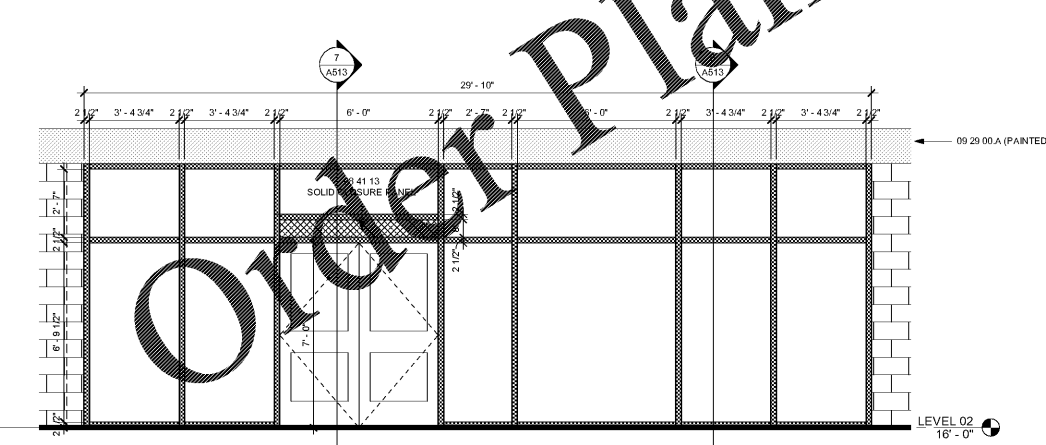
2 TYPICAL ELEVATION - WEST CURTAIN WALL (CW-04)  
3/8" = 1'-0"



3 WALL SECTION - CURTAIN WALL @ DESIGNATED ENTRANCE TYPICAL  
3/8" = 1'-0"

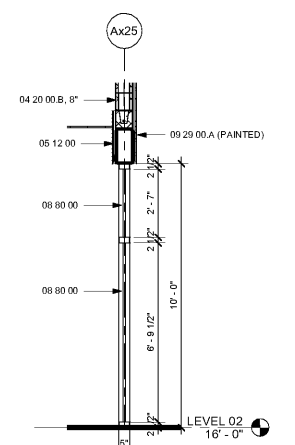


4 WALL SECTION - CURTAIN WALL @ DESIGNATED ENTRANCE THRU DOOR  
3/8" = 1'-0"

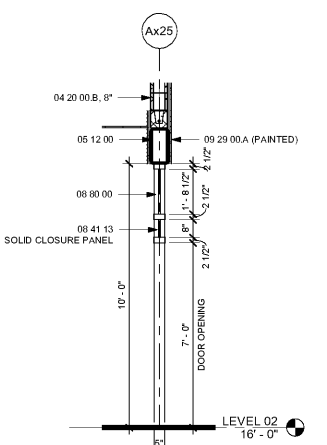


WINDOW	SF-04
MATERIAL	ALUMINUM
TYPE	FIXED
RATING	NONE
SPEC.	08 41 13
GLASS	INSULATED/TEMPERED

5 TYPICAL ELEVATION - HOSPITALITY 205 STOREFRONT (SF-04)  
3/8" = 1'-0"



6 WALL SECTION - STOREFRONT @ HOSPITALITY 205 TYPICAL  
3/8" = 1'-0"



7 WALL SECTION - STOREFRONT @ HOSPITALITY 205 TYPICAL THRU DOOR  
3/8" = 1'-0"

**NOTE:**  
DIMENSIONS OF CURTAIN WALL & STOREFRONT FRAME MAY VARY WITH MANUFACTURER. SPACING DESIGN INTENT SHALL BE MAINTAINED.  
ATTACHMENT OF CURTAIN WALL SYSTEM TO BUILDING STRUCTURE IS RESPONSIBILITY OF CURTAIN WALL MANUFACTURER. REFER TO STRUCTURAL DRAWINGS.  
CURTAIN WALL & STOREFRONT FRAME TO BE CLEAR ANODIZED. SEE SPECIFICATIONS.  
PROVIDE SOLID ALUM. CLOSURE PANEL ABOVE DOORS IN CURTAIN WALL & STOREFRONT. PANEL TO MATCH COLOR OF MULLIONS.  
EXTERIOR STRUCTURAL COLUMNS & BRICK PILASTER FOR REFERENCE ONLY. REFER ALSO TO FLOOR PLANS AND STRUCTURAL DRAWINGS.

SA&E PROJECT NUMBER	01-615-056
BID PACKAGE	BP-1
ISSUED FOR CONSTRUCTION	10/15/2019
<b>Southern AE</b>	REVISIONS
7951 Traxon Circle Austell, Ga 30168 (770) 819-7777	R# Doc# Date
architects & engineers	

FACILITY CODE NUMBER: 674-0110  
GYMNASIUM/AUDITORIUM FOR:  
**HEARD COUNTY SCHOOLS**  
545 MAIN STREET, FRANKLIN, GA 30217  
**HEARD COUNTY SCHOOL SYSTEM**  
FRANKLIN, GEORGIA

CURTAIN WALL/STOREFRONT & WINDOW DETAILS

	DRAWING NUMBER
	<b>A513</b>