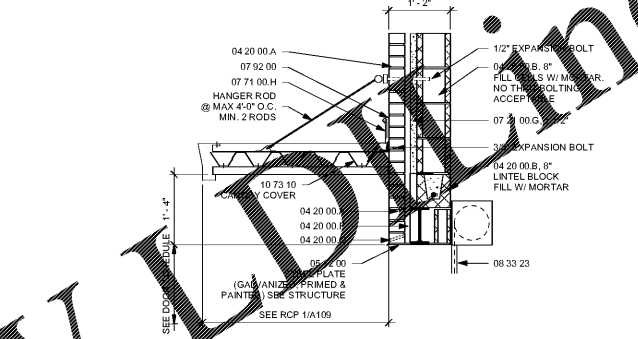
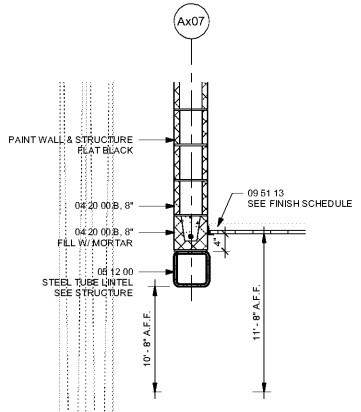


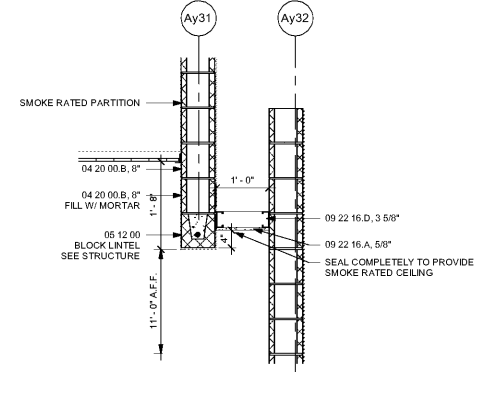
2 TYPICAL SECTION - EXTERIOR RECESSED DOOR
3/4\" = 1'-0"



3 TYPICAL SECTION - MANUFACTURED DOOR CANOPY
3/4\" = 1'-0"



4 TYPICAL SECTION - FURRED DOWN @ BACK STAGE
3/4\" = 1'-0"

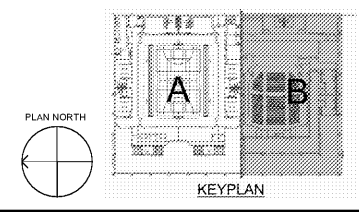


5 TYPICAL SECTION @ AUDITORIUM DRINK FOUNTAINS
3/4\" = 1'-0"

- LEGEND TO WALLS:**
- LEGEND TO WALLS PROVIDES INFORMATION ON INTERIOR WALLS AND WALL RATINGS. REFER ALSO TO FLOOR PLANS, BUILDING SECTIONS, WALL SECTIONS AND WALL DETAILS FOR ADDITIONAL INFORMATION ON INTERIOR WALLS. REFER TO ELEVATIONS, BUILDING SECTIONS, WALL SECTIONS AND WALL DETAILS FOR INFORMATION ON EXTERIOR WALLS.
 - REFER TO DRAWING A701 FOR FIRESTOPPING DETAILS.
 - REFER TO DRAWING A702 & A703 FOR TYPICAL U.L. DESIGN DETAILS.
 - CONTRACTOR SHALL CONSTRUCT ALL WALLS AS INDICATED ON DRAWINGS. CHANGES TO WALL DESIGN IS NOT ALLOWED WITHOUT APPROVAL OF ARCHITECT.

- ENVIRONMENTAL WALLS** - - - - -
- SMOKE RATED WALLS** - - - - -
- ONE HOUR RATED WALLS** - - - - -
- TWO HOUR RATED WALLS** - - - - -

- LEGEND TO REFLECTED CEILING PLAN:**
- Access Panel Ceilings
 - 2' x 4' Recessed Fluorescent Fixture
 - 2' x 4' Recessed Fluorescent Emergency Fixture
 - Surface Mounted Fluorescent Fixture
 - 2' x 2' Recessed Fluorescent Fixture
 - Fluorescent Strip Fixture
 - Pendant Mount Hi-Bay Fixture
 - Emergency Light Fixture
 - Exit Light Fixture
 - 2' x 2' HVAC Return Air Grille
 - 2' x 2' HVAC Supply Diffuser
 - Ceiling Unit Heater
 - HVAC Exhaust Fan
 - Ceiling Speaker Unit
 - Public Address System
 - Ceiling Spot Elevation
See also Finish Schedule



SA&E PROJECT NUMBER	01-615-056
BID PACKAGE	BP-1
ISSUED FOR CONSTRUCTION	10/15/2019
Southern AE	
7951 Truon Circle Austell, Ga 30168 (770) 519-7777	REVISIONS
architects & engineers	R # Doc # Date
	1 AD1 11.4.2019

FACILITY CODE NUMBER: 674-0110
GYMNASIUM/AUDITORIUM FOR:
HEARD COUNTY SCHOOLS
 545 MAIN STREET, FRANKLIN, GA 30217
HEARD COUNTY SCHOOL SYSTEM
 FRANKLIN, GEORGIA

REFLECTED CEILING PLAN - LEVEL 01 - AUDITORIUM

	DRAWING NUMBER
	A109

Order Plans

1 REFLECTED CEILING PLAN - LEVEL 01 - AUDITORIUM
1/8" = 1'-0"