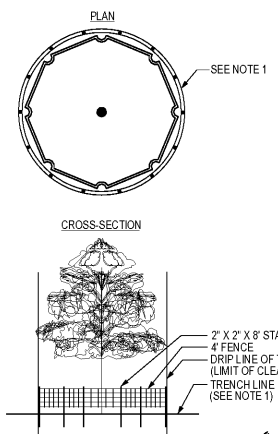
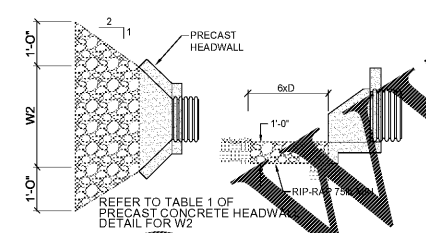
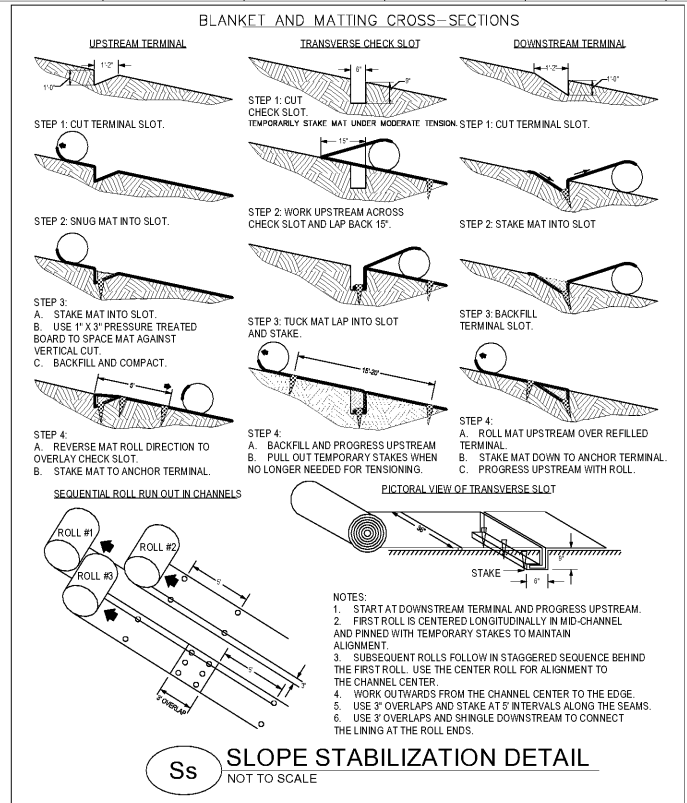


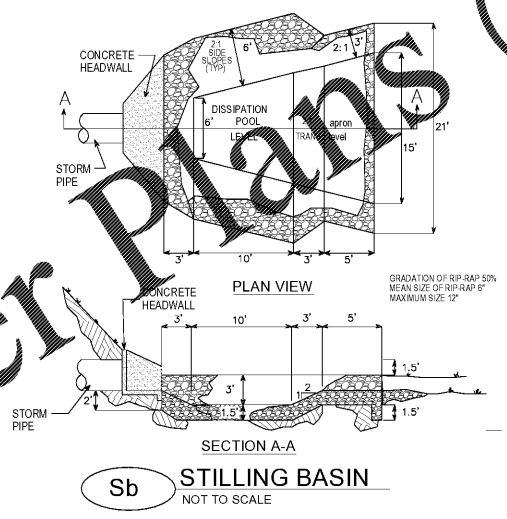
**Sd4-C TEMPORARY SEDIMENT TRAP #1**  
NOT TO SCALE

**PHASE I SEDIMENT STORAGE DETAILS:**

PHASE 1 DISTURBED AREA & SEDIMENT STORAGE REQUIREMENTS	
REQUIREMENTS: 2.10 ACRES X 67 = 140 CUBIC YARDS	
DISTURBED AREA TRAP #1: 1.20 AC - PROVIDED: 80 CY	
DISTURBED AREA TRAP #2: 0.90 AC - PROVIDED: 60 CY	
<b>TOTAL</b>	<b>2.10 AC 140 CY</b>



- NOTES:
1. SPACE STAKES AT INTERVALS SUFFICIENT TO MAINTAIN ALL FENCING UP TO DRIP LINE OR AS SHOWN BY ENGINEER. SET STAKES NO GREATER THAN 4 FEET ON CENTER. REBAR IS NOT TO BE USED FOR STAKES.
  2. MAINTAIN FENCE BY REPAIRING AND/OR REPLACING DAMAGED FENCE. DO NOT REMOVE FENCING PRIOR TO LANDSCAPING OPERATIONS.
  3. DO NOT STORE OR STACK MATERIALS, EQUIPMENT, OR VEHICLES WITHIN FENCED AREA.
  4. FENCE SHALL BE ORANGE VINYL/PVC SAFETY FENCE WITH 2" MIN. THICKNESS.



www.LDILine.com

SA&E PROJECT NUMBER	01-615-056
BID PACKAGE/PHASING	BP-1
ISSUED FOR CONSTRUCTION	10/15/2019
REVISIONS	
R #	Doc #
Date	

**Southern A&E**  
7951 Troon Circle  
Austell, Ga 30168  
(770) 419-7777  
I.L.C.  
architects & engineers

© COPYRIGHT 2019 BY SOUTHERN A&E, LLC. ALL RIGHTS RESERVED.  
THIS DOCUMENT IS THE PROPERTY OF SOUTHERN A&E, LLC. AND SHALL NOT BE REPRODUCED OR REPRODUCED IN WHOLE OR IN PART WITHOUT EXPRESS WRITTEN CONSENT FROM SOUTHERN A&E, LLC.

FACILITY CODE NUMBER: 674-0110  
GYMNASIUM/AUDITORIUM FOR:  
**HEARD COUNTY SCHOOLS**  
545 MAIN STREET, FRANKLIN, GA 30217  
**HEARD COUNTY SCHOOL SYSTEM**  
FRANKLIN, GEORGIA

CONSTRUCTION DETAILS



DRAWING NUMBER  
**C505**