

TABLE 1 HEADWALL DIMENSIONS FOR METAL PIPE *											
INSIDE DIA. OF PIPE " "	W1	W2	W3	W4	# OF BLOCKS	NO. OF RINGS	H1	H2	D	E	WT.
18"	3'-2"	4'-3"	6"	6"	4 BARS	1	12x12x20"	1'-3"	3'-0"	1'-3"	1,350
24"	3'-3"	5'-3"	6"	6"	4 BARS	3	12x12x20"	1'-9"	3'-8"	1'-2"	2,100
30"	4'-2"	6'-2"	6"	6"	6 BARS	3	12x12x20"	2'-0"	4'-2"	1'-10"	2,850
36"	4'-8"	7'-2"	6"	6"	8 BARS	3	12x12x20"	2'-4"	4'-8"	2'-2"	3,700
42"	5'-8"	10'-2"	6"	6"	8 BARS	5	12x12x20"	3'-3"	5'-8"	2'-11"	5,800
54"	6'-9"	11'-11"	6"	6"	8 BARS	6	12x12x20"	3'-9"	6'-9"	3'-4"	7,500

* USE NEXT LARGER SIZE FOR CONCRETE PIPE

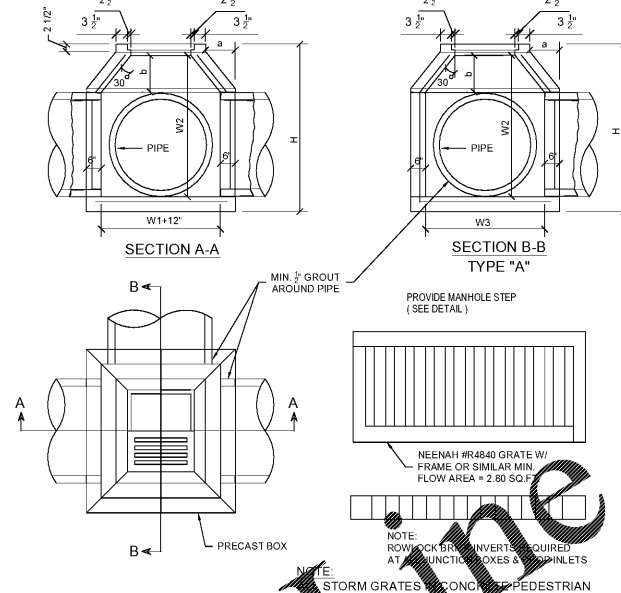
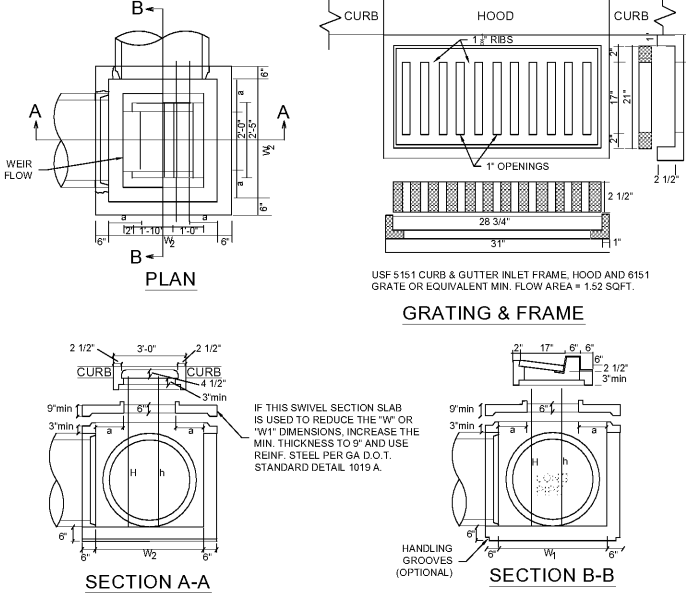
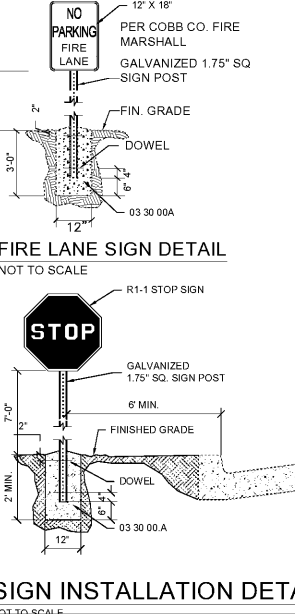
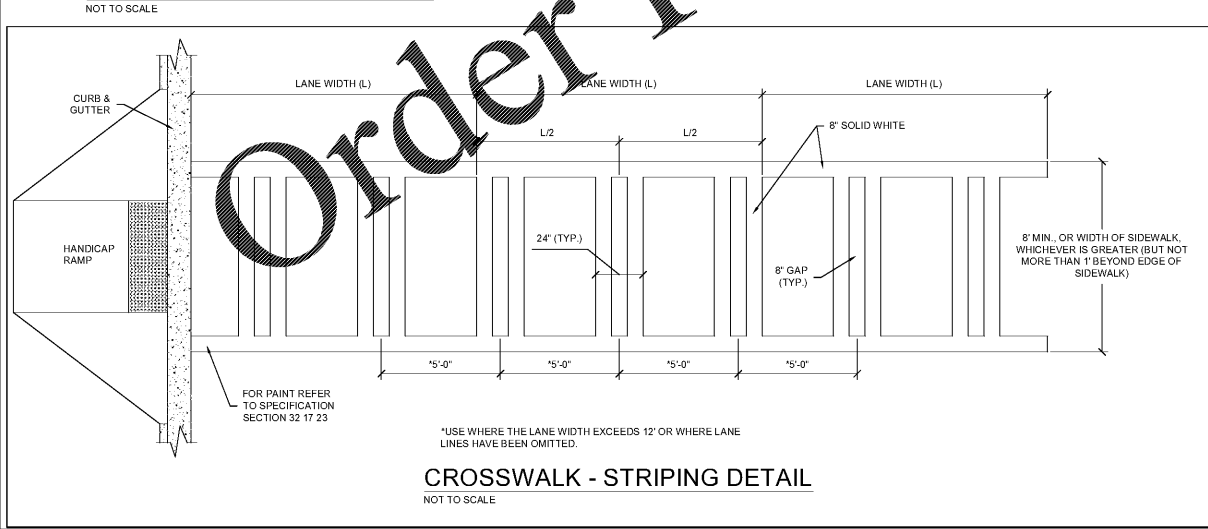
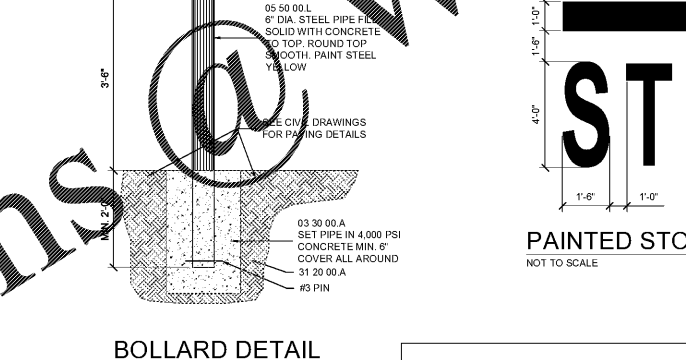
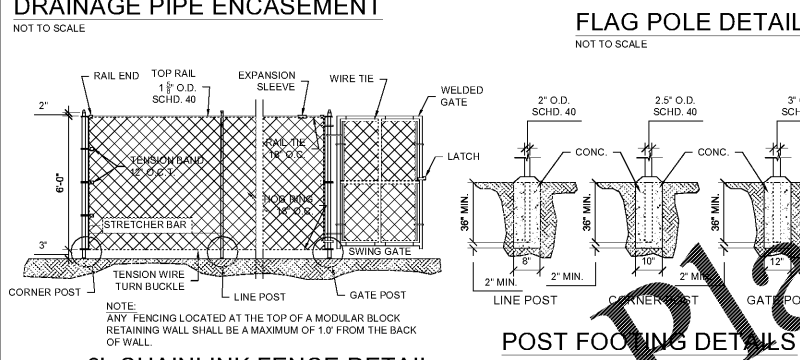
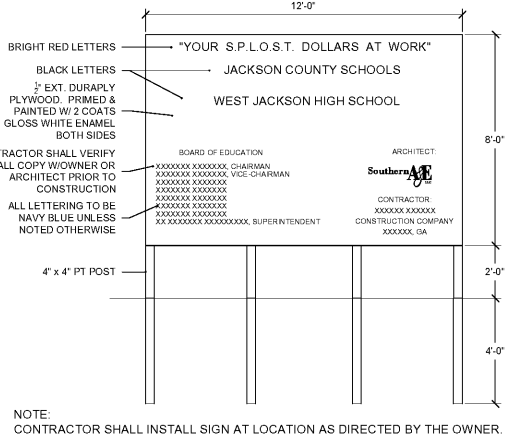
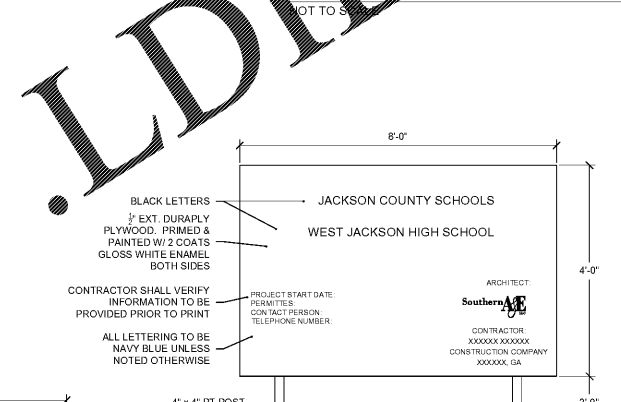
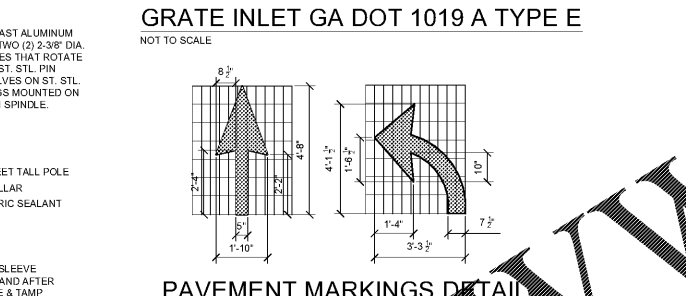
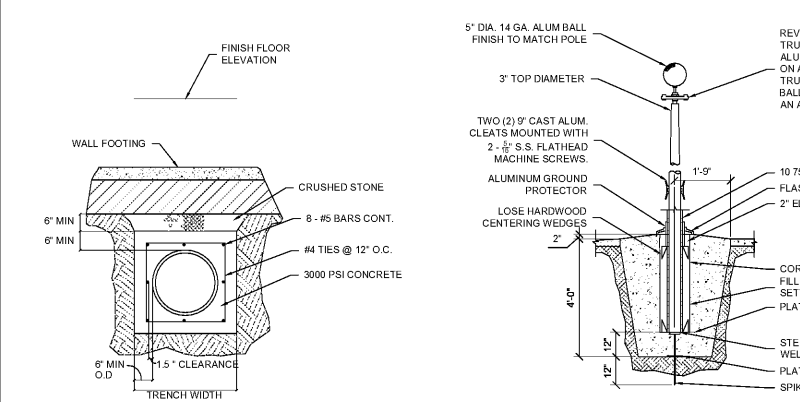


Table of minimum dimensions for drop inlets & junction boxes						
d	W1	W2	W3	a	b	h
18"	2'-0"	3'-0"	2'-0"	3'-1/2"	6"	3'-11"
24"	2'-8"	3'-8"	2'-6"	6'-1/2"	11 1/4"	4'-7"
30"	3'-4"	4'-0"	3'-0"	9'-1/2"	16 1/2"	5'-10"
36"	3'-10"	5'-10"	3'-0"	1'-2"	2'	6'-10"
42"	4'-2"	7'-0"	4'-2"	1'-5"	3'-1/2"	7'-11"
48"	5'-0"	8'-2"	5'-0"	1'-9 1/2"	3'-1 1/2"	9'-2"
54"	5'-8"	9'-2"	5'-8"	2'-1/2"	3'-8 1/2"	10'-0"
60"	6'-0"	10'-3"	6'-0"	2'-3 1/2"	4'-0"	11'-1"



S&E PROJECT NUMBER BID PACKAGE/PHASING ISSUED FOR CONSTRUCTION	01-615-056 BP-1 10/15/2019
REVISIONS R # Doc # Date	
Southern ABE 7951 Tronon Circle Austell, Ga 30168 (770) 419-7777 Architects & Engineers	
FACILITY CODE NUMBER: 674-0110 GYMNASIUM/AUDITORIUM FOR: HEARD COUNTY SCHOOLS 545 MAIN STREET, FRANKLIN, GA 30217 HEARD COUNTY SCHOOL SYSTEM FRANKLIN, GEORGIA	
CONSTRUCTION DETAILS	
STATE OF GEORGIA REGISTERED PROFESSIONAL ARCHITECT SOUTHERN ARCHITECTS & ENGINEERS, LLC STATE NO. 9763 EXPIRES 12/31/2024	DRAWING NUMBER C501

Order Plans