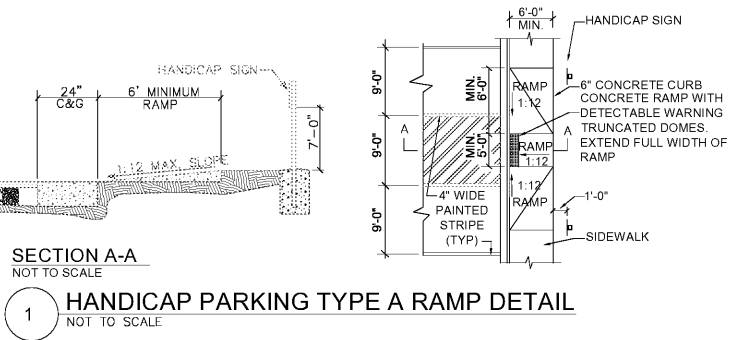
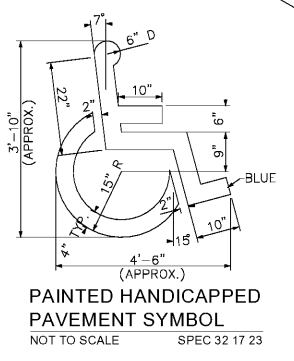
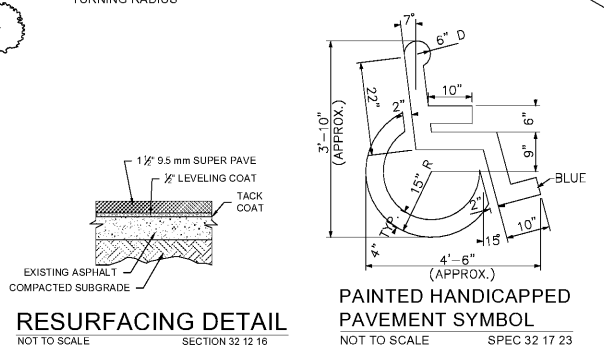
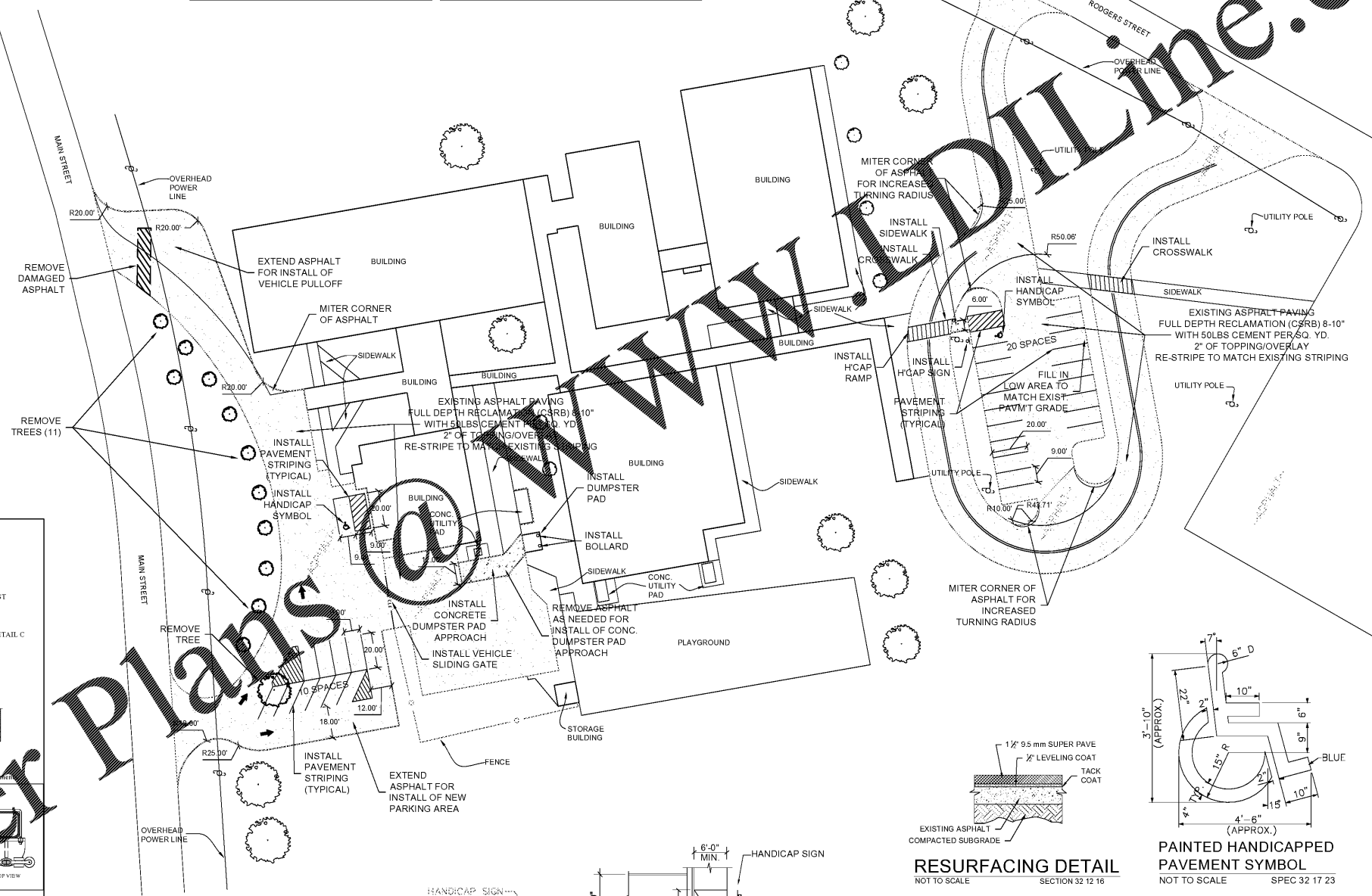
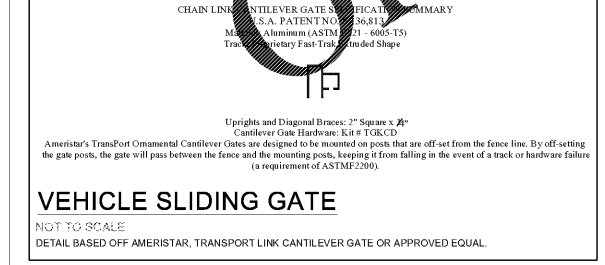
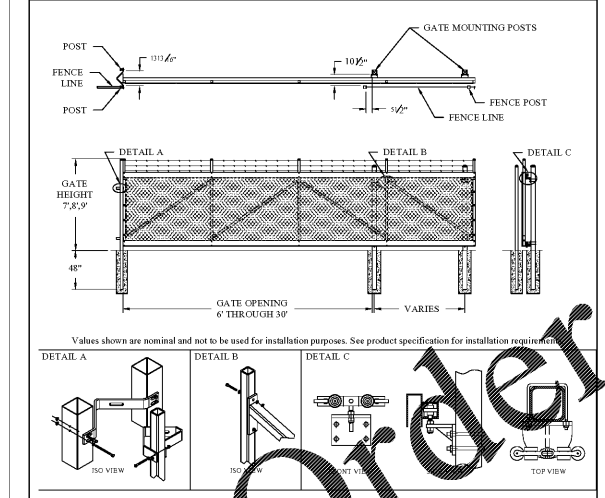
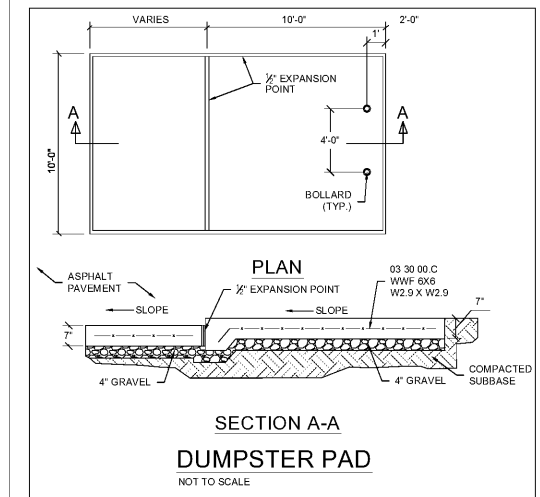
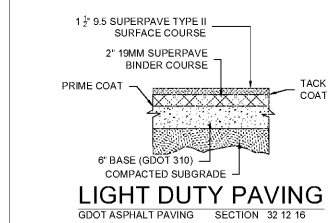


- STAKING NOTES:**
- THE DEPTH OF PROPOSED PAVEMENT ARE AS FOLLOWS:
 - LIGHT DUTY PAVEMENT - 9"
 - SIDEWALK - 4"
 - A DWG COMPUTER FILE WILL BE AVAILABLE FROM ENGINEER FOR CONSTRUCTION LAYOUT.
 - ALL CAR PARKING STALLS AND STRIPED ISLANDS SHALL BE PAINTED WITH 4" WHITE STRIPES AS SHOWN.
 - ALL SIGNAGE/STRIPING PER MUTCD LATEST EDITION.
 - ALL STRIPING IN RW SHALL BE THERMO PLASTIC.
- LEGEND:**
- LIGHT-DUTY ASPHALT
 - CONCRETE SIDEWALK
 - HANDICAP PARKING
 - PAVEMENT MARKINGS
 - 8' CLF
 - 8' VEHICLE SLIDING GATE



CAUTION:

THE UTILITIES SHOWN ARE SHOWN FOR THE CONTRACTORS CONVENIENCE ONLY. OTHER UTILITIES MAY BE PRESENT BUT NOT SHOWN ON THESE DRAWINGS. THE ARCHITECT & ENGINEER ASSUME NO RESPONSIBILITY FOR THE UTILITY LOCATIONS SHOWN, AND IT SHALL BE THE CONTRACTOR'S RESPONSIBILITY TO DETERMINE THE EXACT LOCATIONS OF ALL UTILITIES WITHIN THE LIMITS OF THE WORK. ALL DAMAGE MADE TO THE EXISTING UTILITIES BY THE CONTRACTOR SHALL BE REPAIRED TO A "LIKE NEW" CONDITION. THE CONTRACTOR SHALL BEAR THE SOLE RESPONSIBILITY FOR ANY LOSSES THAT OCCUR FROM DAMAGES TO THE EXISTING UTILITIES.

Know what's below. Call before you dig. Dial 811. GEORGIA 811. Safe digging is a SHARED responsibility, and in Georgia it's the law. 811 or 1-800-282-7411 www.Georgia811.com

ADD ALTERNATE # 3 RE-PAVING PLAN Scale: 1" = 30'

SAPE PROJECT NUMBER	01-615-054
BID PACKAGE / PHASING	BP#1
ISSUED FOR PRELIMINARIES	6/13/2019
Southern AE architects & engineers	REVISIONS
	R# Doc# DATE:

PAVING PROJECT: EPHEBUS ELEMENTARY SCHOOL 24414 GA-100, ROOPVILLE, GA 30170

HEARD COUNTY SCHOOL SYSTEM 131 EAST COURT SQUARE P.O. BOX 1330 FRANKLIN, GA 30217

DRAWING NUMBER C106

