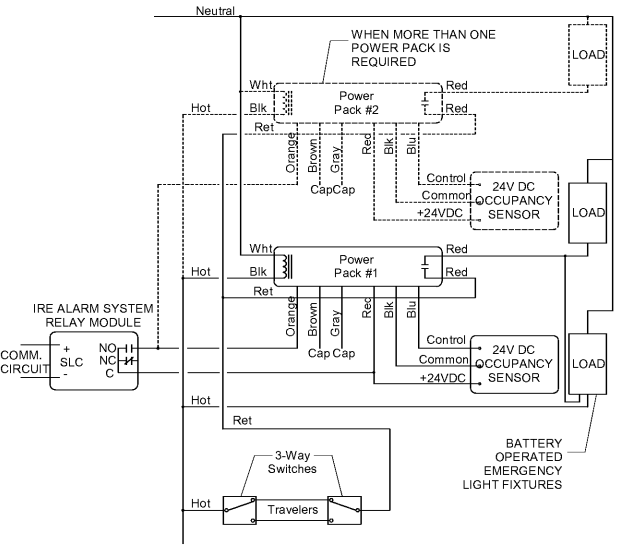
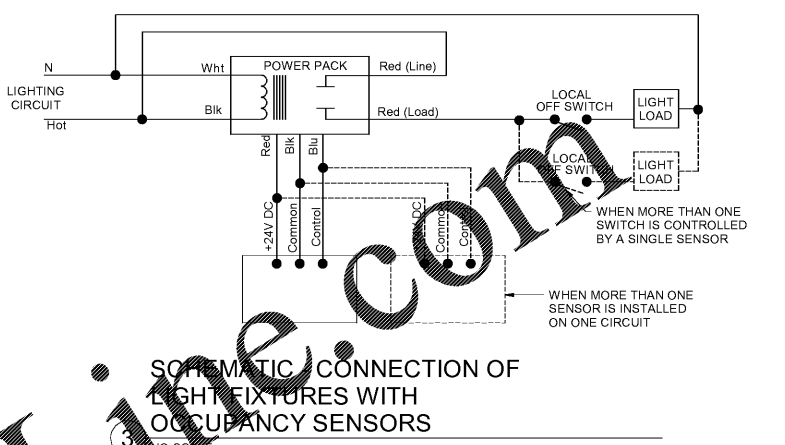


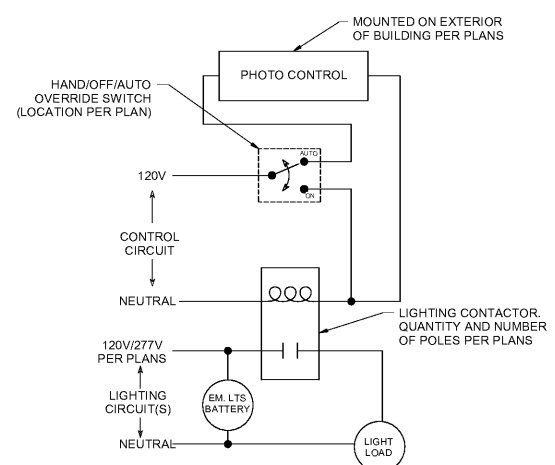
1 SCHEMATIC - 208V ELECTRICAL GROUNDING SYSTEM
NO SCALE



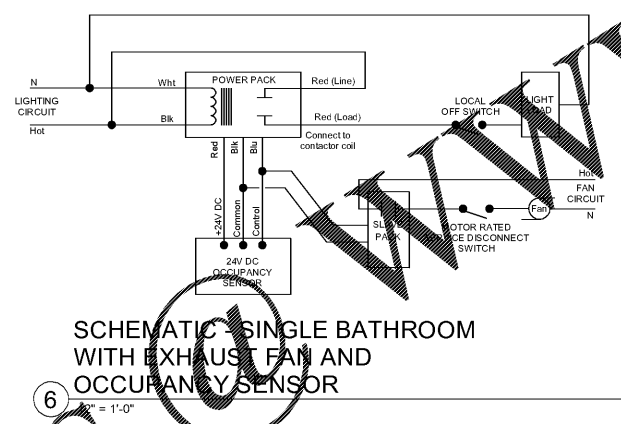
2 SCHEMATIC - CONNECTION OF LIGHT FIXTURES & OCCUPANCY SENSORS IN CORRIDORS, PASSAGeways, HALLWAYS, LOBBIES, AND COMMONS
NO SCALE



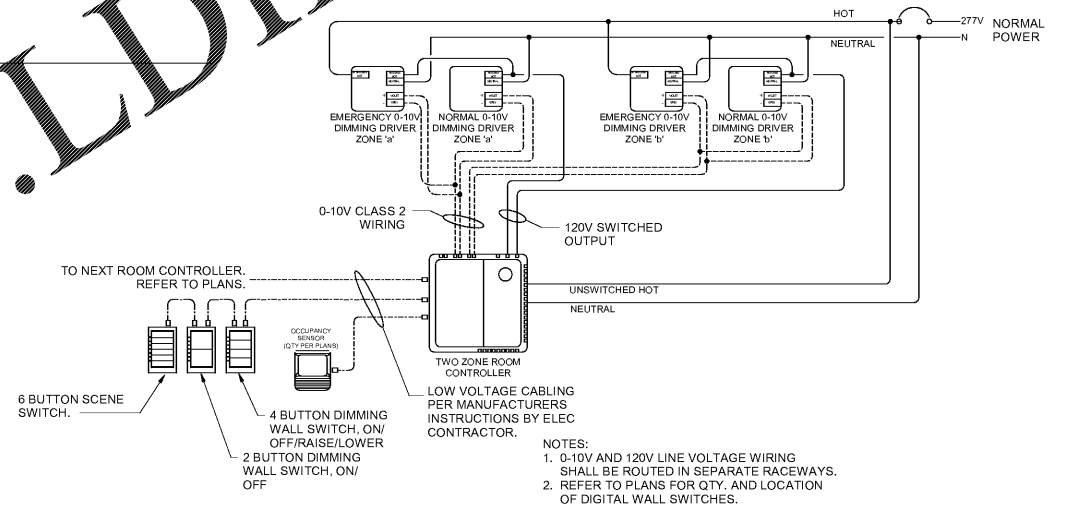
3 SCHEMATIC CONNECTION OF LIGHT FIXTURES WITH OCCUPANCY SENSORS
NO SCALE



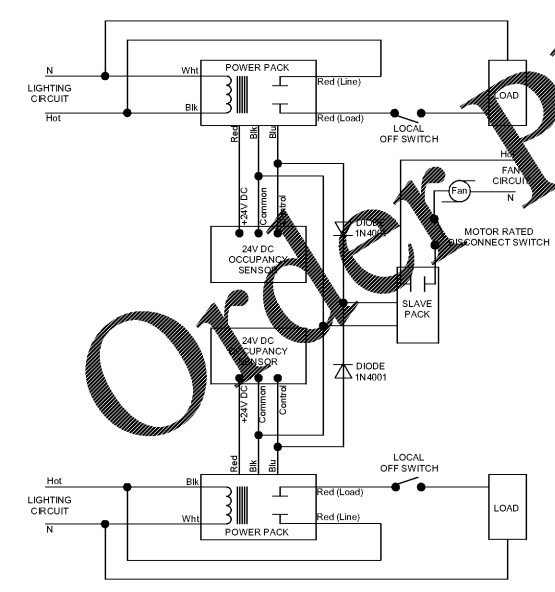
4 SCHEMATIC - EXTERIOR LIGHTING CONTROL HAND/OFF/AUTO SWITCH & PHOTOCELL WITH CONTACTOR
NO SCALE



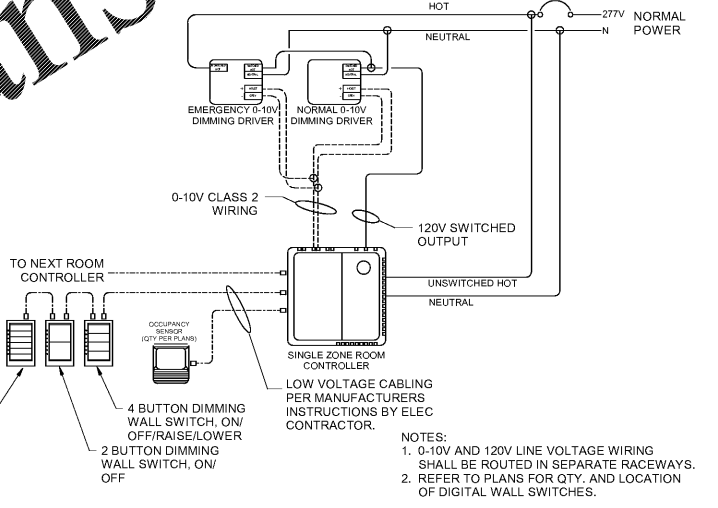
6 SCHEMATIC - SINGLE BATHROOM WITH EXHAUST FAN AND OCCUPANCY SENSOR
12" = 1'-0"



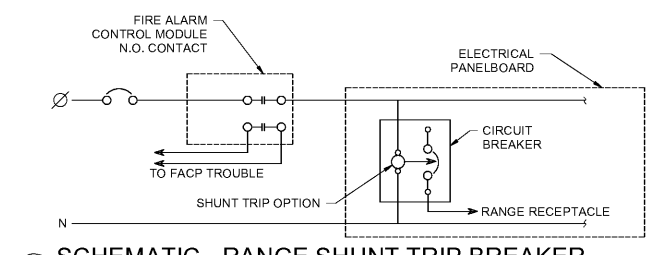
10 SCHEMATIC - TWO ZONE CONNECTION OF LIGHT FIXTURES WITH OCCUPANCY SENSORS AND ROOM CONTROLLER WITH DIMMING
NO SCALE



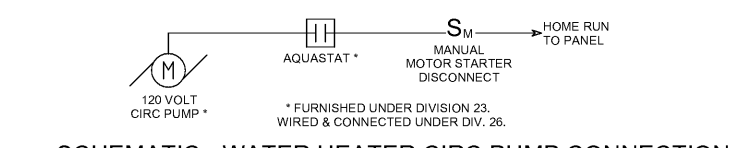
7 SCHEMATIC - TWO BATHROOMS WITH COMMON EXHAUST FAN AND OCCUPANCY SENSORS
12" = 1'-0"



9 SCHEMATIC - SINGLE ZONE CONNECTION OF LIGHT FIXTURES WITH OCCUPANCY SENSORS AND ROOM CONTROLLER WITH DIMMING
NO SCALE



5 SCHEMATIC - RANGE SHUNT TRIP BREAKER
NO SCALE



8 SCHEMATIC - WATER HEATER CIRC PUMP CONNECTION
NO SCALE

Order Plans

WWW.LDILINE.COM

S&E PROJECT NUMBER	01-615-057
BID PACKAGE / PHASING	BP-1
ISSUED FOR CONSTRUCTION	10/15/2019
Southern AE 7951 Traxon Circle Austell, Ga 30168 (770) 819-7777 architects & engineers	REVISIONS
	R # Doc # Date

ADD ALTERNATE #1
BOARD OF EDUCATION OFFICE FOR:
HEARD COUNTY SCHOOLS
4647 PEA RIDGE ROAD, FRANKLIN, GA 30217
HEARD COUNTY SCHOOL SYSTEM
FRANKLIN, GEORGIA

DETAILS	
	DRAWING NUMBER
	E503