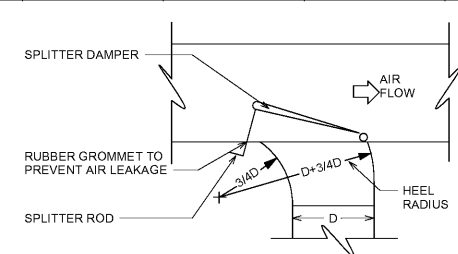
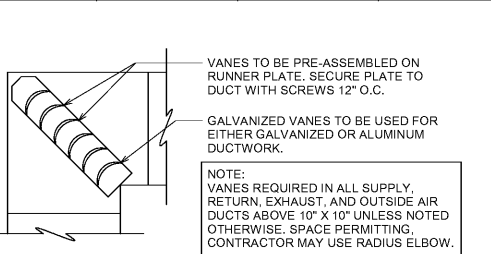


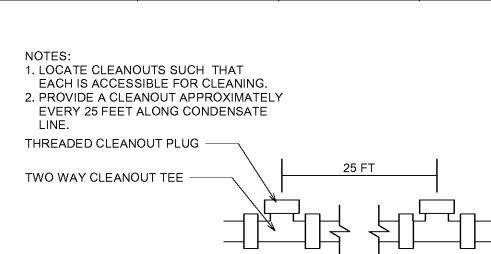
1 ROUND ELBOW DETAIL
NOT TO SCALE



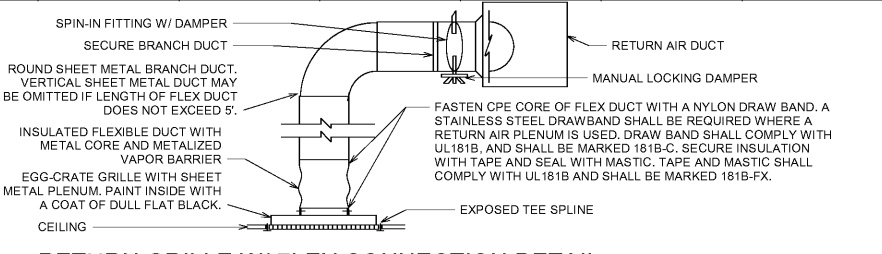
2 BRANCH TAKEOFF DETAIL
NOT TO SCALE



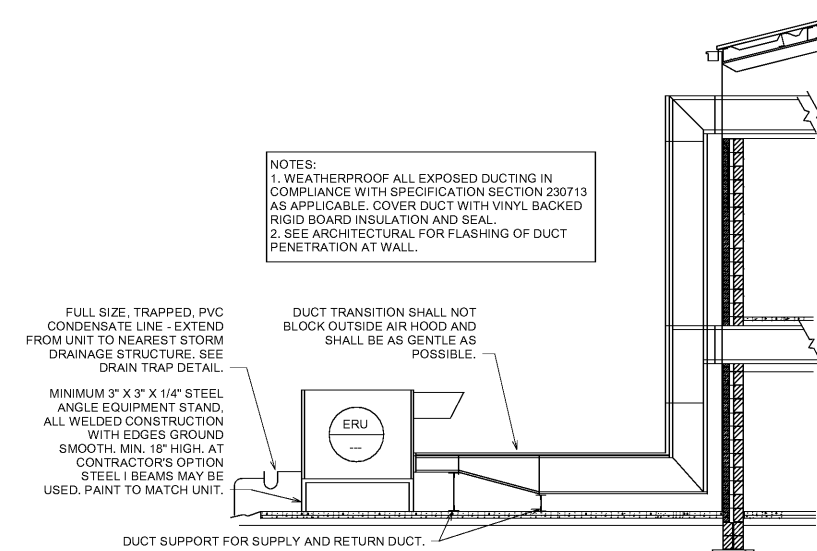
3 RECT. ELBOW W/ TURNING VANES DETAIL
1" = 1'-0"



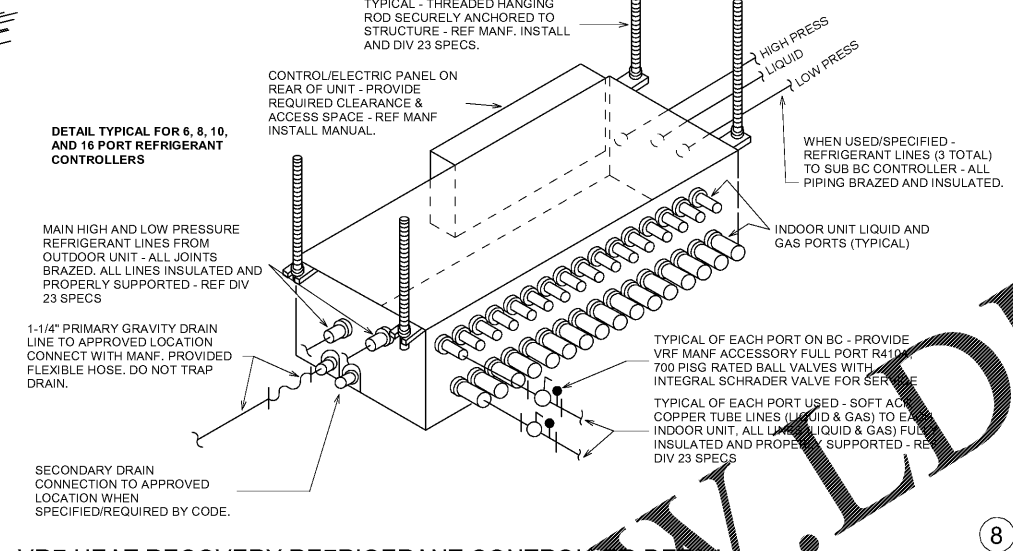
4 CONDENSATE LINE CLEANOUTS
NOT TO SCALE



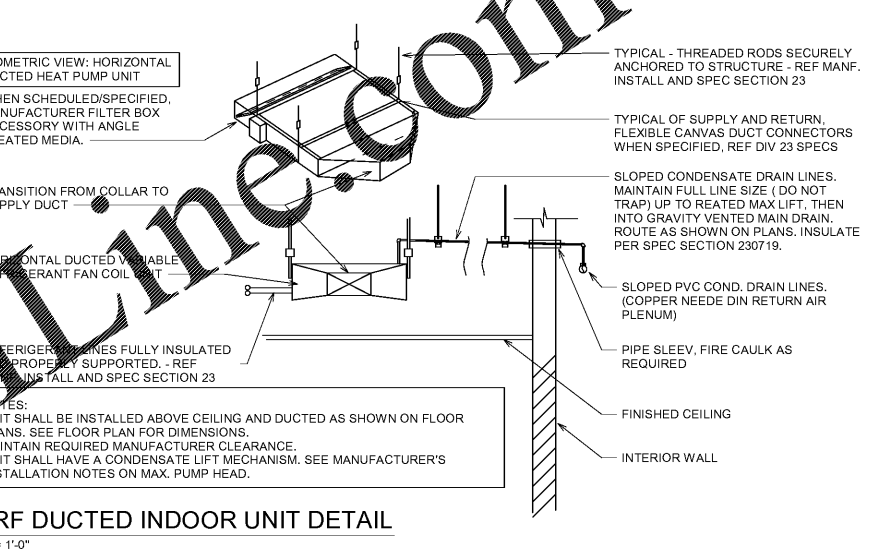
5 RETURN GRILLE W/ FLEX CONNECTION DETAIL
1" = 1'-0"



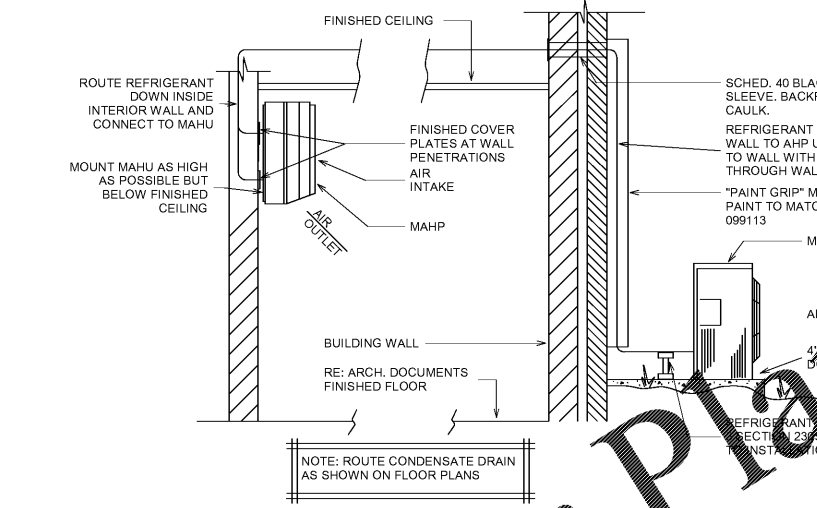
6 PACKAGED UNIT W/ EXTERIOR DUCT RISE
1" = 1'-0"



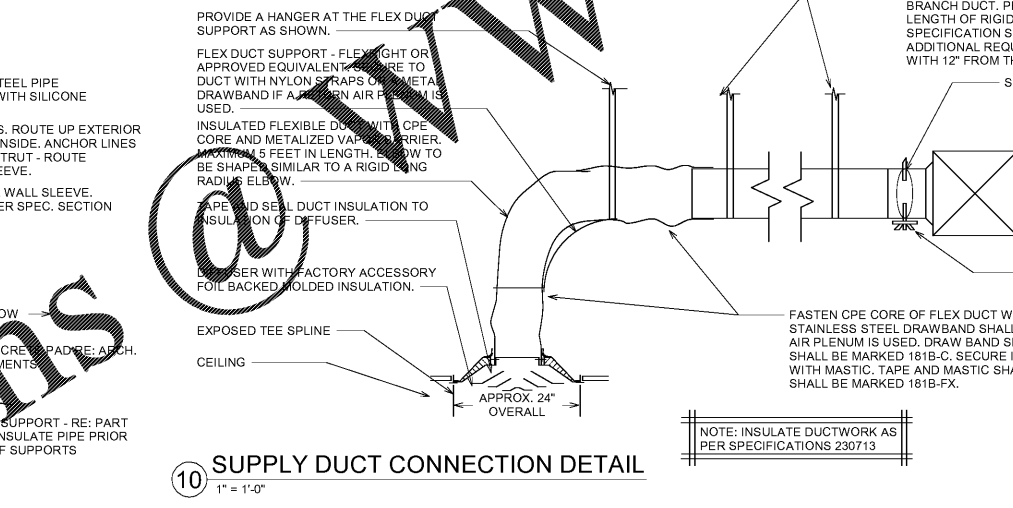
7 VRF HEAT RECOVERY REFRIGERANT CONTROLLER DETAIL
1 1/2" = 1'-0"



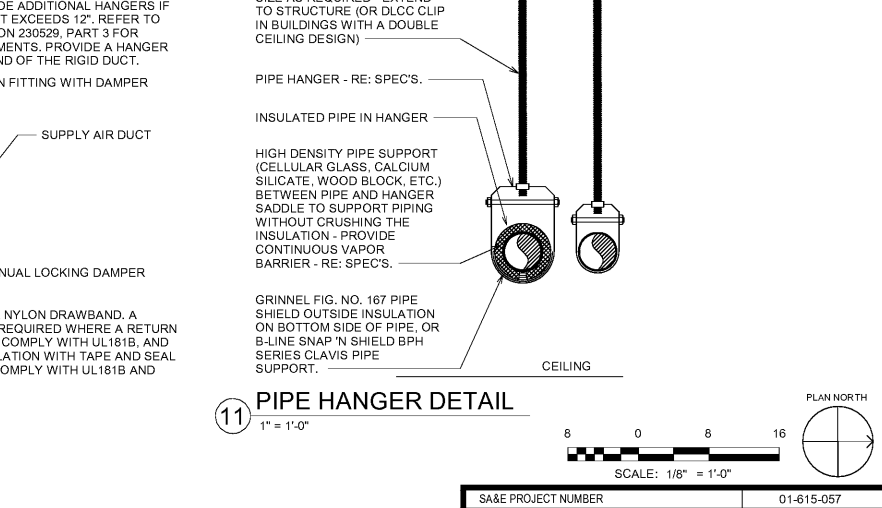
8 VRF DUCTED INDOOR UNIT DETAIL
1" = 1'-0"



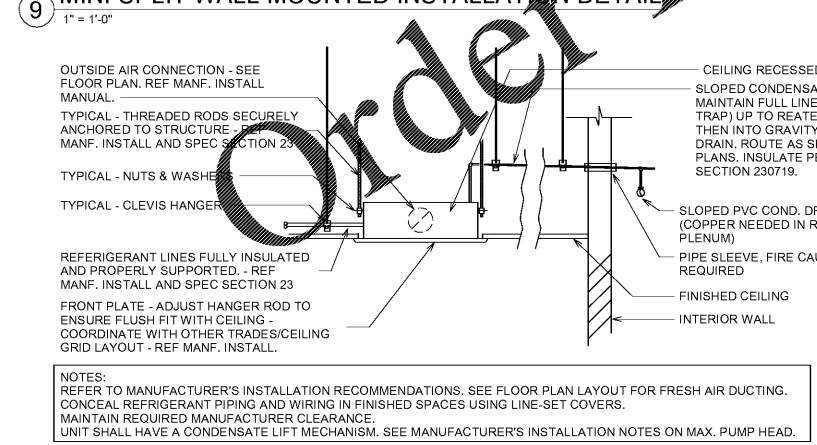
9 MINI-SPLIT WALL MOUNTED INSTALLATION DETAIL
1" = 1'-0"



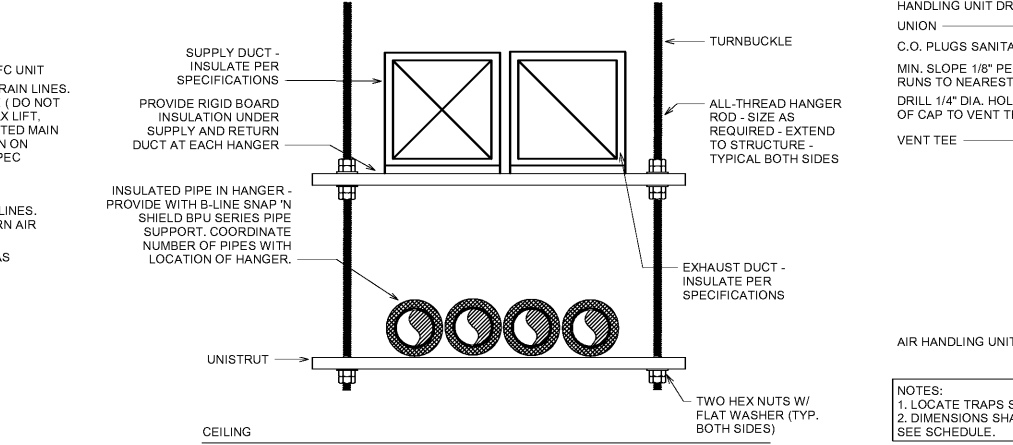
10 SUPPLY DUCT CONNECTION DETAIL
1" = 1'-0"



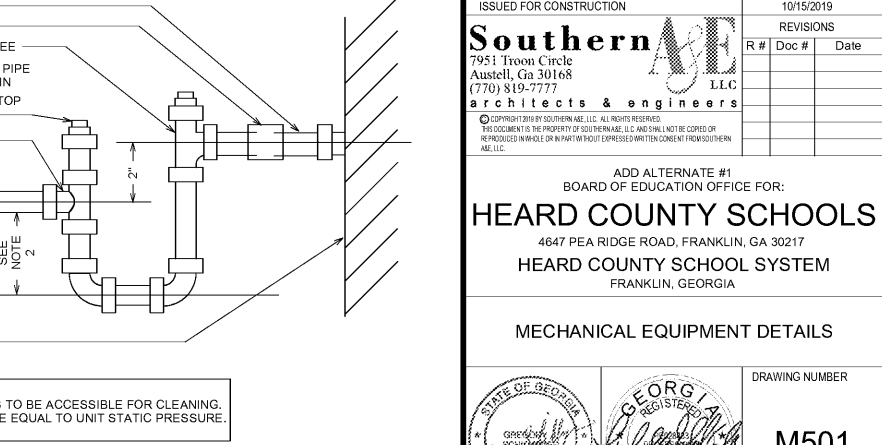
11 PIPE HANGER DETAIL
1" = 1'-0"



12 VRF CASSETTE INDOOR UNIT DETAIL
1" = 1'-0"



13 TRAPEZE DUCT AND PIPE HANGER
1" = 1'-0"



14 CONDENSATE DRAIN P-TRAP DETAIL
1" = 1'-0"

Order Plans

S&E PROJECT NUMBER	01-615-057
BID PACKAGE / PHASING	BP-1
ISSUED FOR CONSTRUCTION	10/15/2019
Southern AE	
7951 Traxon Circle Atlanta, Ga 30168 (770) 819-7777 architects & engineers	
R #	Doc #
Date	
ADD ALTERNATE #1 BOARD OF EDUCATION OFFICE FOR: HEARD COUNTY SCHOOLS 4647 PEA RIDGE ROAD, FRANKLIN, GA 30217 HEARD COUNTY SCHOOL SYSTEM FRANKLIN, GEORGIA	
MECHANICAL EQUIPMENT DETAILS	
DRAWING NUMBER	M501