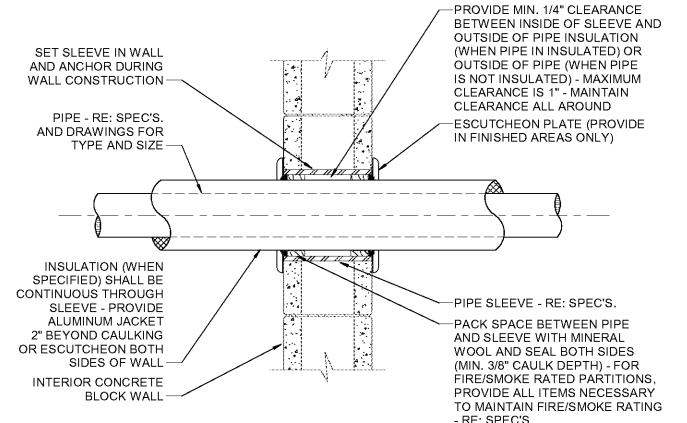
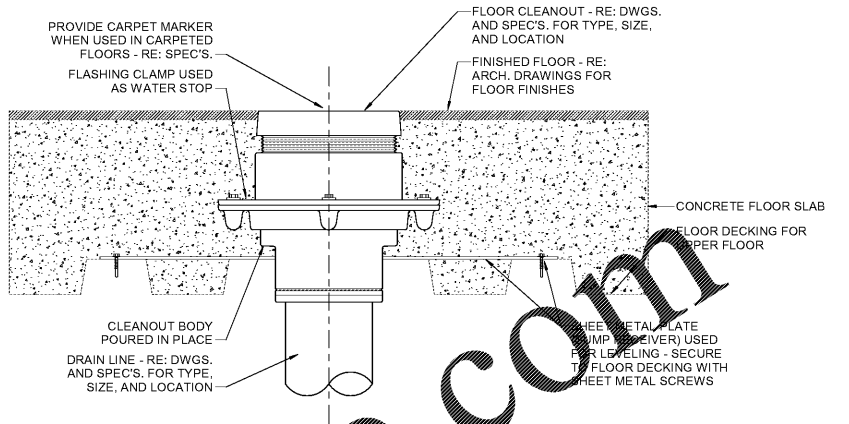


1 FOUNDATION WALL PIPE SLEEVE DETAIL  
NTS

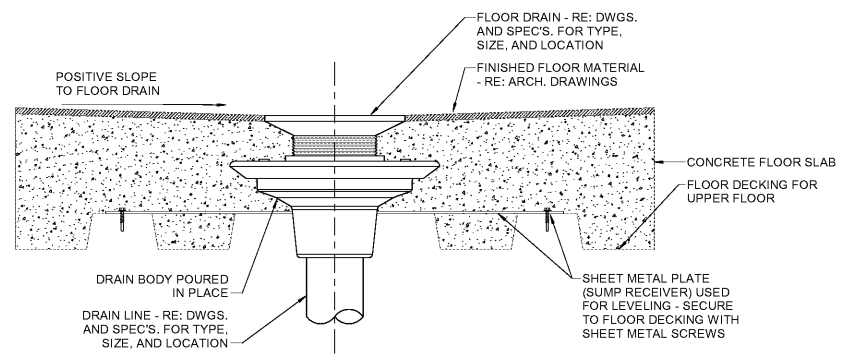


- NOTES:  
1.) INSTALLATION SHALL BE SAME FOR CONCRETE WALLS.  
2.) SLEEVES NOT REQUIRED FOR INTERIOR GYPSUM WALLS. ALL OTHER ITEMS (I.E. INSULATION W/JACKET THROUGH WALL, FIBERGLASS PACKING MATERIAL, SEALANT AT BOTH SIDES OF WALL, ESCUTCHEON PLATES, CLEARANCES, ETC.) ARE STILL REQUIRED TO BE INSTALLED.  
3.) PIPING INSULATION IN SLEEVES THROUGH FIRE/SMOKE RATED WALLS SHALL BE THE SPECIFIC INSULATION USED AND TESTED AS PART OF THE FIRE/SMOKE RATED PENETRATION ASSEMBLY.  
4.) PENETRATIONS THROUGH FIRE RATED WALLS/PARTITIONS SHALL BE A COMPLETE U.L. SYSTEM - REFER TO THE SPECIFICATIONS SECTION 07841 FOR THROUGH-PENETRATION FIRESTOP SYSTEMS.

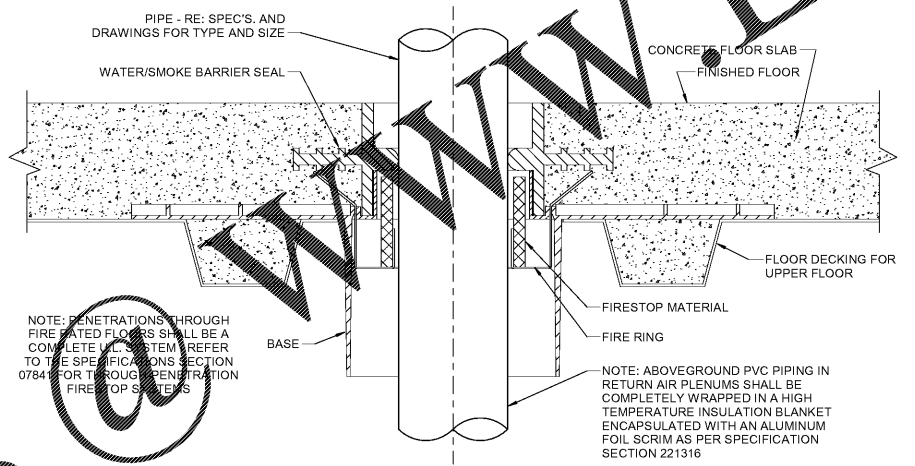
2 WALL PIPE SLEEVE DETAIL  
NTS



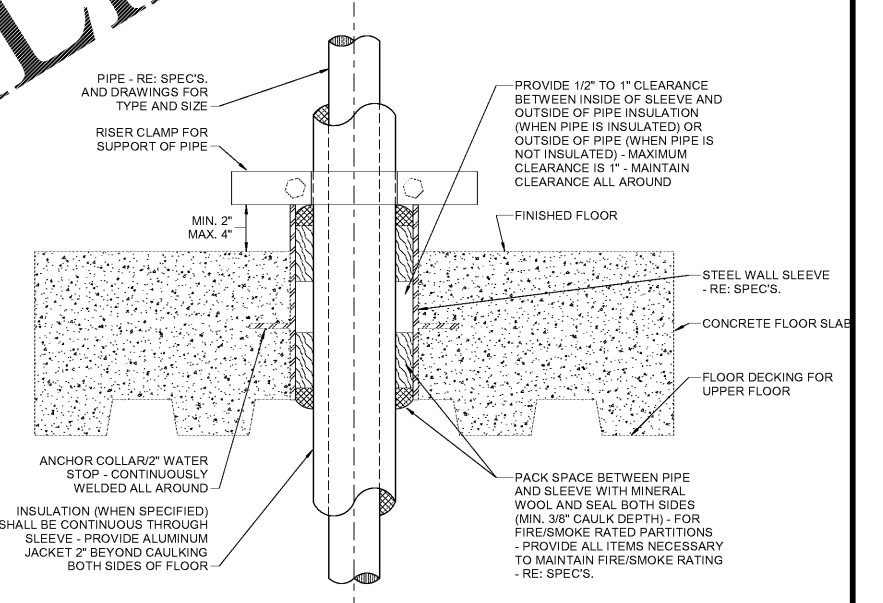
3 UPPER LEVEL FLOOR CLEANOUT DETAIL  
NTS



4 UPPER LEVEL FLOOR DRAIN DETAIL  
NTS

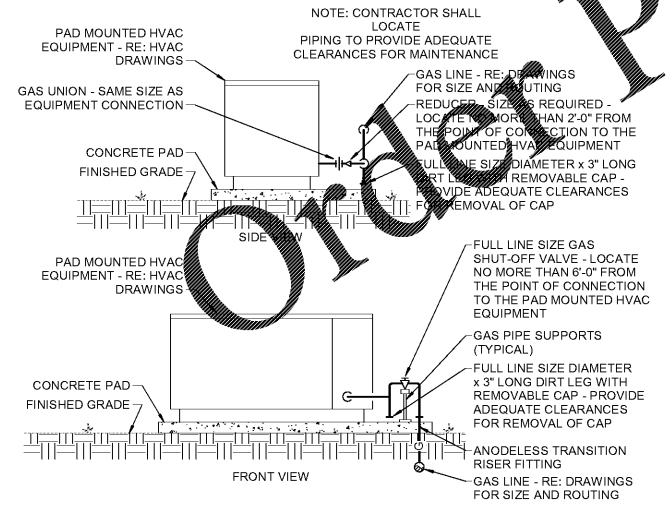


5 FLOOR PIPE SLEEVE DETAIL  
NTS

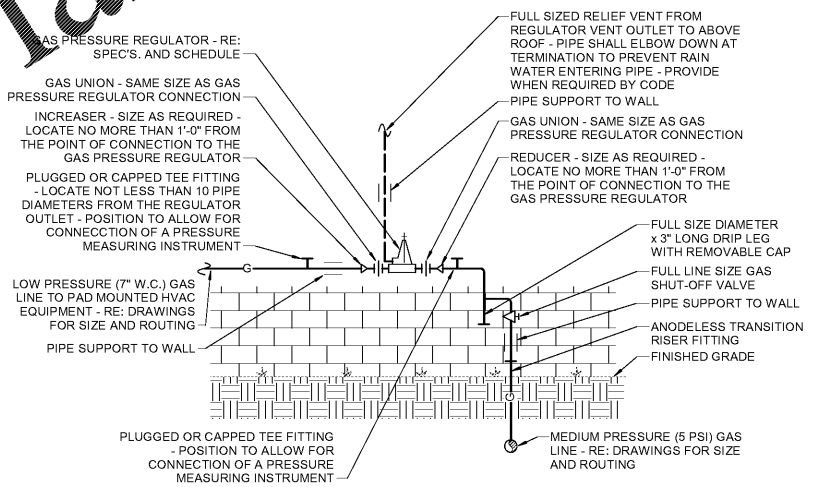


- NOTES:  
1.) PIPING INSULATION IN SLEEVES THROUGH FIRE RATED FLOORS SHALL BE THE SPECIFIC INSULATION USED AND TESTED AS PART OF THE FIRE RATED PENETRATION ASSEMBLY.  
2.) PENETRATIONS THROUGH FIRE RATED FLOORS SHALL BE A COMPLETE U.L. SYSTEM - REFER TO THE SPECIFICATIONS SECTION 07841 FOR THROUGH-PENETRATION FIRESTOP SYSTEMS.

6 FLOOR PIPE SLEEVE DETAIL  
NTS

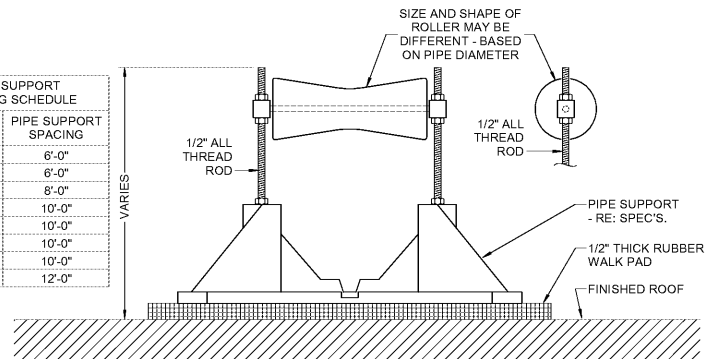


7 GAS CONNECTION DETAIL  
NTS



8 GAS PRESSURE REGULATOR DETAIL  
NTS

PIPE SIZE	PIPE SUPPORT SPACING
3/4"	6'-0"
1"	6'-0"
1-1/4"	8'-0"
1-1/2"	10'-0"
2"	10'-0"
2-1/2"	10'-0"
3"	10'-0"
4"	12'-0"



9 PIPE SUPPORT DETAIL  
NTS

SA&E PROJECT NUMBER 01-615-057  
 BID PACKAGE / PHASING BP-1  
 ISSUED FOR CONSTRUCTION 10/15/2019  
**Southern AE** R # Doc # Date  
 7951 Traxon Circle  
 Austell, Ga 30168  
 (770) 519-7777  
 architects & engineers  
© COPYRIGHT 2019 BY SOUTHERN AE, LLC. ALL RIGHTS RESERVED. THIS DOCUMENT IS THE PROPERTY OF SOUTHERN AE, LLC AND SHALL NOT BE COPIED OR REPRODUCED IN WHOLE OR IN PART WITHOUT EXPRESS WRITTEN PERMISSION FROM SOUTHERN AE, LLC.

ADD ALTERNATE #1  
 BOARD OF EDUCATION OFFICE FOR:  
**HEARD COUNTY SCHOOLS**  
 4647 PEA RIDGE ROAD, FRANKLIN, GA 30217  
**HEARD COUNTY SCHOOL SYSTEM**  
 FRANKLIN, GEORGIA

PLUMBING DETAILS  
 DRAWING NUMBER **P502**  
 STATE OF GEORGIA REGISTERED PROFESSIONAL ENGINEER  
 GEORGIA REGISTERED PROFESSIONAL ARCHITECT  
 CAMEL C. WALDBY, LLC