

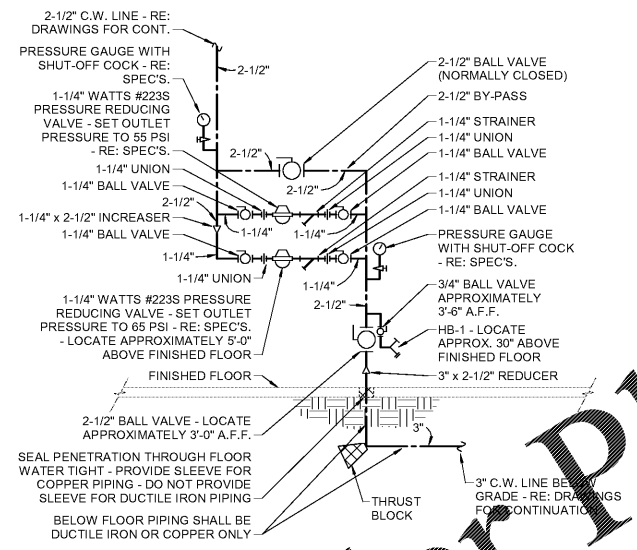
NOTES:  
 1. REBAR NOT REQUIRED WHEN CLEANOUT INSTALLED IN PAVED AREAS.  
 2. ALL EXTERIOR CLEANOUTS SHALL BE ONE-WAY EXCEPT WHERE SPECIFICALLY INDICATED ON THE DRAWINGS AS TWO-WAY.

1 EXTERIOR CLEANOUT DETAIL  
NTS

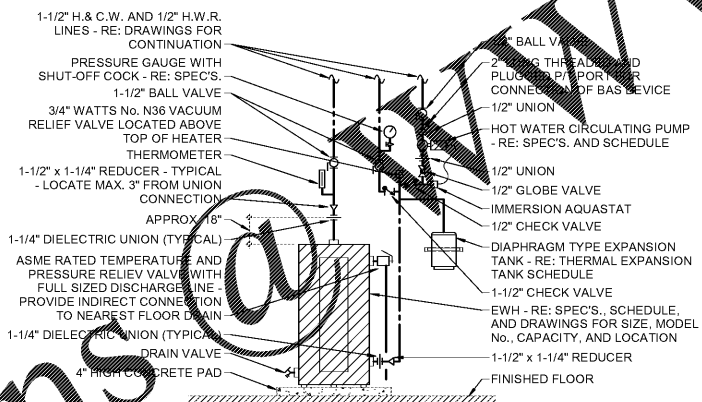
4 NON-FREEZE WALL HYDRANT DETAIL  
NTS

3 PIPE HANGER DETAIL  
NTS

6 ELEVATOR SUMP PUMP PIPING DETAIL  
NTS

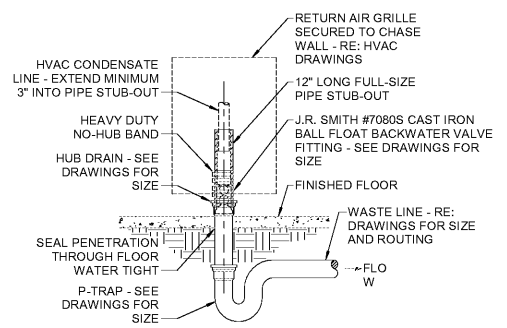


7 DOMESTIC WATER PRESSURE STATION DETAIL  
NTS



8 WATER HEATER DETAIL  
NTS

5 TRAP PRIMER VALVE DETAIL  
NTS



9 HVAC CONDENSATE HUB DRAIN DETAIL  
NTS

Order Plans @ [www.idlLine.com](http://www.idlLine.com)

S&E PROJECT NUMBER	01-615-057
BID PACKAGE / PHASING	BP-1
ISSUED FOR CONSTRUCTION	10/15/2019
<b>Southern AE</b> 7951 Truon Circle Austell, Ga 30168 (770) 519-7777 architects & engineers	REVISIONS
	R # Doc # Date
<small>© COPYRIGHT 2019 BY SOUTHERN A/E, LLC. ALL RIGHTS RESERVED.          THIS DOCUMENT IS THE PROPERTY OF SOUTHERN A/E, LLC AND SHALL NOT BE COPIED OR REPRODUCED IN WHOLE OR IN PART WITHOUT EXPRESS WRITTEN PERMISSION FROM SOUTHERN A/E, LLC.</small>	

ADD ALTERNATE #1  
 BOARD OF EDUCATION OFFICE FOR:  
**HEARD COUNTY SCHOOLS**  
 4647 PEA RIDGE ROAD, FRANKLIN, GA 30217  
 HEARD COUNTY SCHOOL SYSTEM  
 FRANKLIN, GEORGIA

PLUMBING DETAILS	
DRAWING NUMBER	P501