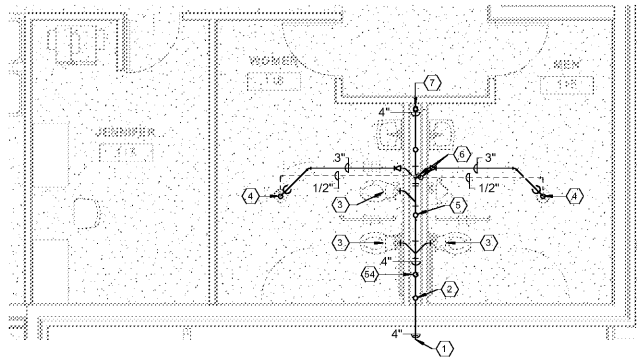
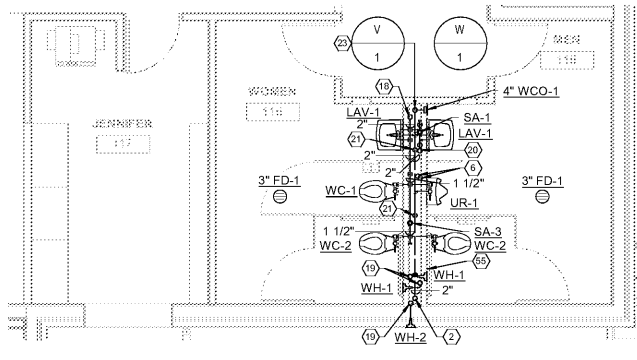


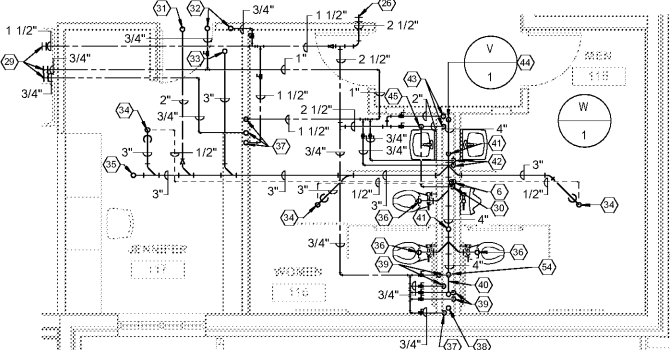
A B C D E F G H I K L M N



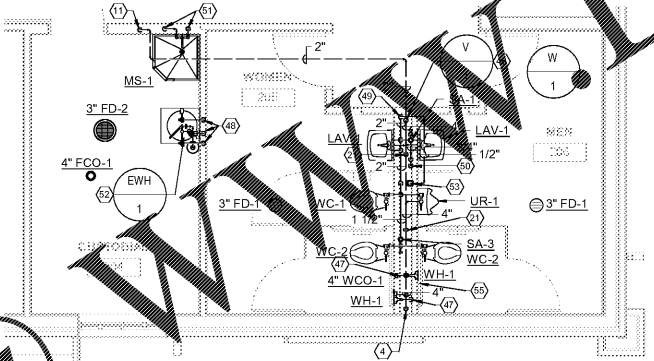
1 ENLARGED PLUMBING BELOW FLOOR PLAN - TOILET #1 - LOWER LEVEL
1/4" = 1'-0"



2 ENLARGED PLUMBING ABOVE FLOOR PLAN - TOILET #1 - LOWER LEVEL
1/4" = 1'-0"



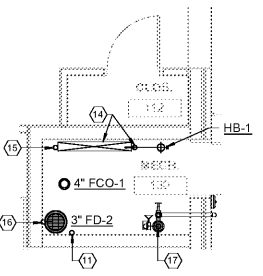
3 ENLARGED PLUMBING ABOVE CEILING PLAN - TOILET #1 - LOWER LEVEL
1/4" = 1'-0"



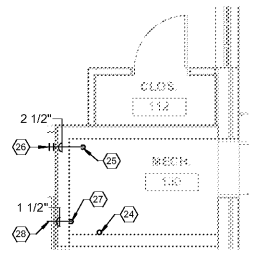
4 ENLARGED PLUMBING ABOVE FLOOR PLAN - TOILET #1 - UPPER LEVEL
1/4" = 1'-0"



5 ENLARGED PLUMBING BELOW FLOOR PLAN - MECH. - LOWER LEVEL
1/4" = 1'-0"



6 ENLARGED PLUMBING ABOVE FLOOR PLAN - MECH. - LOWER LEVEL
1/4" = 1'-0"



7 ENLARGED PLUMBING ABOVE CEILING PLAN - MECH. - LOWER LEVEL
1/4" = 1'-0"

SPECIFIC PLUMBING PLAN NOTES - P401

- 1 4" SAN. WASTE LINE-RE: 1/P101 FOR CONTINUATION.
- 2 4" VENT LINE UP.
- 3 4" SAN. WASTE LINE DOWN FROM WATER CLOSET.
- 4 3" SAN. WASTE LINE DOWN FROM FLOOR DRAIN.
- 5 3" SAN. WASTE LINE DOWN.
- 6 1/2" TRAP PRIMER LINES DOWN.
- 7 4" SAN. WASTE LINE DOWN.
- 8 3" DOMESTIC WATER LINE-RE: 1/P101 FOR CONTINUATION.
- 9 6" FIRE LINE-RE: 1/P101 FOR CONTINUATION.
- 10 6" FIRE PROTECTION LINE UP TO SPRINKLER RISER.
- 11 2" VENT LINE UP.
- 12 4" SAN. WASTE LINE DOWN FROM FLOOR CLEANOUT.
- 13 3" DOMESTIC WATER LINE UP.
- 14 3" C.W. LINE UP TO 2 1/2" WATER ENTRANCE-RE: DETAIL 7/P.
- 15 2 1/2" C.W. LINE UP TO ABOVE CEILING.
- 16 1 1/2" TYPE "L" COPPER SUMP PUMP DISCHARGE LINE FROM ABOVE CEILING DOWN WALL TO INDIRECT CONNECTION TO FLOOR DRAIN.
- 17 6" FIRE PROTECTION LINE UP FROM BELOW FLOOR TO SPRINKLER RISER-RE: DWG. F101 FOR REQUIREMENT.
- 18 2" C.W. LINE DOWN FROM ABOVE CEILING.
- 19 3/4" C.W. LINE DOWN FROM ABOVE CEILING.
- 20 3/4" H.W. LINE DOWN FROM ABOVE CEILING.
- 21 3" SAN. WASTE DOWN TO SAN. VENT UP.
- 22 3" SAN. WASTE LINE DOWN FROM FLOOR ABOVE.
- 23 VENT LINE UP FROM FLOOR BELOW.
- 24 2" C.W. LINE UP FROM FLOOR BELOW.
- 25 2 1/2" C.W. LINE-RE: 1/P101 FOR CONTINUATION.
- 26 1 1/2" TYPE "L" COPPER SUMP PUMP DISCHARGE LINE DOWN WALL.
- 27 1 1/2" TYPE "L" COPPER SUMP PUMP DISCHARGE LINE DOWN WALL-RE: 1/P101 FOR CONTINUATION.
- 28 1 1/2" C.W., 3/4" H.W., AND 3/4" H.W.R. LINES-RE: 1/P101 FOR CONTINUATION.
- 29 DROP 1/2" C.W. INTO TOP OF TRAP SEAL PRIMER VALVE AND DISTRIBUTION UNIT - RE: SPEC'S. - PROVIDE ONE (1) VALVE AND DISTRIBUTION UNIT TO PROVIDE TRAP SEAL PROTECTION TO TWO (2) TRAPS - LOCATE VALVE AND DISTRIBUTION UNIT ABOVE CEILING LEVEL AND DROP TWO (2) 1/2" TRAP PRIMER LINES DOWN TO BELOW FLOOR.
- 30 2" VENT LINE UP TO FLOOR ABOVE.
- 31 3/4" C.W. AND 3/4" H.W. LINES UP TO FLOOR ABOVE.
- 32 3" SAN. WASTE LINE DOWN FROM MOP SINK AT FLOOR ABOVE.
- 33 3" SAN. WASTE LINE DOWN FROM FLOOR DRAIN AT FLOOR ABOVE.
- 34 4" SAN. WASTE LINE DOWN FROM FLOOR CLEANOUT AT FLOOR ABOVE.
- 35 4" SAN. WASTE LINE DOWN FROM WATER CLOSET AT FLOOR ABOVE.
- 36 1 1/2" C.W., 1 1/2" H.W., AND 3/4" H.W.R. LINES UP TO WATER HEATER ON FLOOR ABOVE.
- 37 4" VENT LINE UP TO FLOOR ABOVE.
- 38 3/4" C.W. LINE DOWN TO FLOOR BELOW AND 3/4" C.W. LINE UP TO FLOOR ABOVE.
- 39 4" WASTE DOWN AT FLOOR ABOVE.
- 40 3" WASTE DOWN AT FLOOR ABOVE.
- 41 3/4" H.W. LINE DOWN TO FLOOR BELOW AND 3/4" H.W. LINE UP TO FLOOR ABOVE.
- 42 2" C.W. LINE DOWN TO FLOOR BELOW AND 2" C.W. LINE UP TO FLOOR ABOVE.
- 43 4" SAN. WASTE DOWN TO FLOOR BELOW AND 4" VENT LINE UP TO FLOOR ABOVE.
- 44 RISE 1/2" C.W. LINE OFF TOP OF WATER MAIN.
- 45 4" SAN. WASTE DOWN AND 4" SAN. VENT UP TO 4" V.T.R.
- 46 3/4" C.W. LINE UP FROM BELOW FLOOR.
- 47 1 1/2" C.W., 1 1/2" H.W., AND 3/4" H.W.R. LINES UP FROM BELOW FLOOR-CONNECT TO WATER HEATER.
- 48 2" C.W. LINE UP FROM BELOW FLOOR.
- 49 3/4" H.W. LINE UP FROM BELOW FLOOR.
- 50 3/4" C.W. AND 3/4" H.W. LINES UP FROM BELOW FLOOR.
- 51 E.W.H. 1-RE: SPEC'S., SCHEDULE, AND DETAIL 8/P501.
- 52 DROP 1/2" C.W. INTO TOP OF TRAP SEAL PRIMER VALVE AND DISTRIBUTION UNIT - RE: SPEC'S. - PROVIDE ONE (1) VALVE AND DISTRIBUTION UNIT TO PROVIDE TRAP SEAL PROTECTION TO THREE (3) TRAPS - LOCATE VALVE AND DISTRIBUTION UNIT ABOVE CEILING LEVEL AND DROP THREE (3) 1/2" TRAP PRIMER LINES DOWN TO BELOW FLOOR.
- 53 3" WASTE LINE DOWN FROM HUB DRAIN.
- 54 PROVIDE RETURN AIR GRILLE SECURED TO CHASE WALL - RE: HVAC DRAWINGS.

Order Plans @

WWW.LDILINC.COM

S&E PROJECT NUMBER	01-615-057	
BID PACKAGE / PHASING	BP-1	
ISSUED FOR CONSTRUCTION	10/15/2019	
Southern AE		
7951 Traxon Circle Austell, Ga 30168 (770) 519-7777		
architects & engineers		
© COPYRIGHT 2019 BY SOUTHERN A/E, LLC. ALL RIGHTS RESERVED. THIS DOCUMENT IS THE PROPERTY OF SOUTHERN A/E, LLC AND SHALL NOT BE COPIED OR REPRODUCED IN WHOLE OR IN PART WITHOUT EXPRESS WRITTEN PERMISSION BY SOUTHERN A/E, LLC.		
REVISIONS		
R #	Doc #	Date

ADD ALTERNATE #1
BOARD OF EDUCATION OFFICE FOR:
HEARD COUNTY SCHOOLS
4647 PEA RIDGE ROAD, FRANKLIN, GA 30217
HEARD COUNTY SCHOOL SYSTEM
FRANKLIN, GEORGIA

ENLARGED PLUMBING FLOOR PLANS

DRAWING NUMBER
P401

STATE OF GEORGIA
REGISTERED PROFESSIONAL ENGINEER
CAMEL C. WALDBLUM, LLC