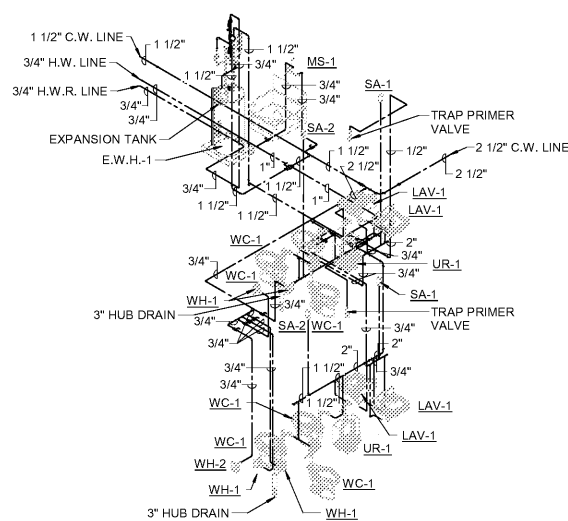
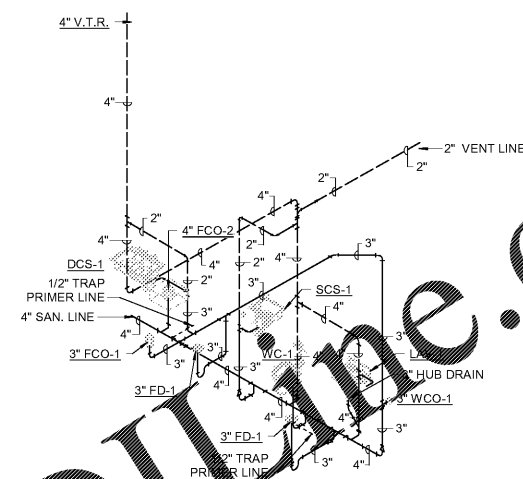


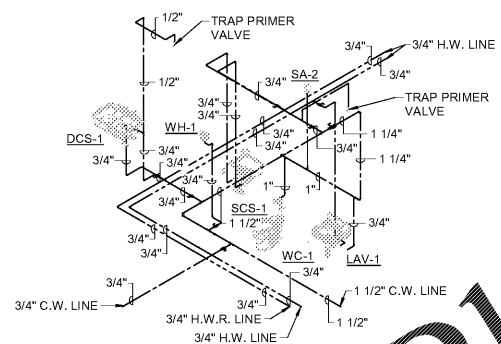
1 SANITARY WASTE AND VENT RISER DIAGRAM



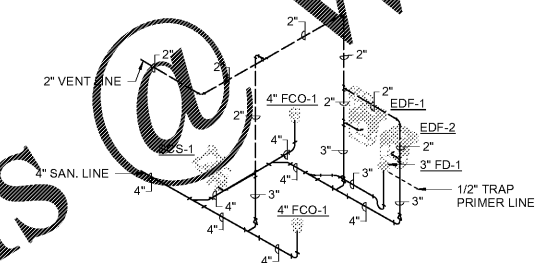
2 DOMESTIC WATER RISER DIAGRAM



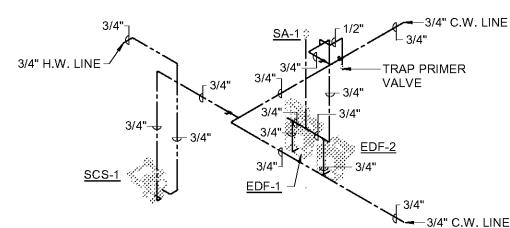
3 SANITARY WASTE AND VENT RISER DIAGRAM



4 DOMESTIC WATER RISER DIAGRAM



5 SANITARY WASTE AND VENT RISER DIAGRAM



6 DOMESTIC WATER RISER DIAGRAM

Order Plans @ WWW.LDLINE.COM

SA&E PROJECT NUMBER	01-615-057
BID PACKAGE / PHASING	BP-1
ISSUED FOR CONSTRUCTION	10/15/2019
Southern AE 7951 Troon Circle Austell, Ga 30168 (770) 819-7777 LLC architects & engineers	REVISIONS
	R # Doc # Date
<small>© COPYRIGHT 2019 BY SOUTHERN A&E, LLC. ALL RIGHTS RESERVED. THIS DOCUMENT IS THE PROPERTY OF SOUTHERN A&E, LLC AND SHALL NOT BE COPIED OR REPRODUCED IN WHOLE OR IN PART WITHOUT EXPRESS WRITTEN PERMISSION FROM SOUTHERN A&E, LLC.</small>	

ADD ALTERNATE #1
 BOARD OF EDUCATION OFFICE FOR:
HEARD COUNTY SCHOOLS
 4647 PEA RIDGE ROAD, FRANKLIN, GA 30217
 HEARD COUNTY SCHOOL SYSTEM
 FRANKLIN, GEORGIA

PLUMBING RISER DIAGRAMS

DRAWING NUMBER
P301