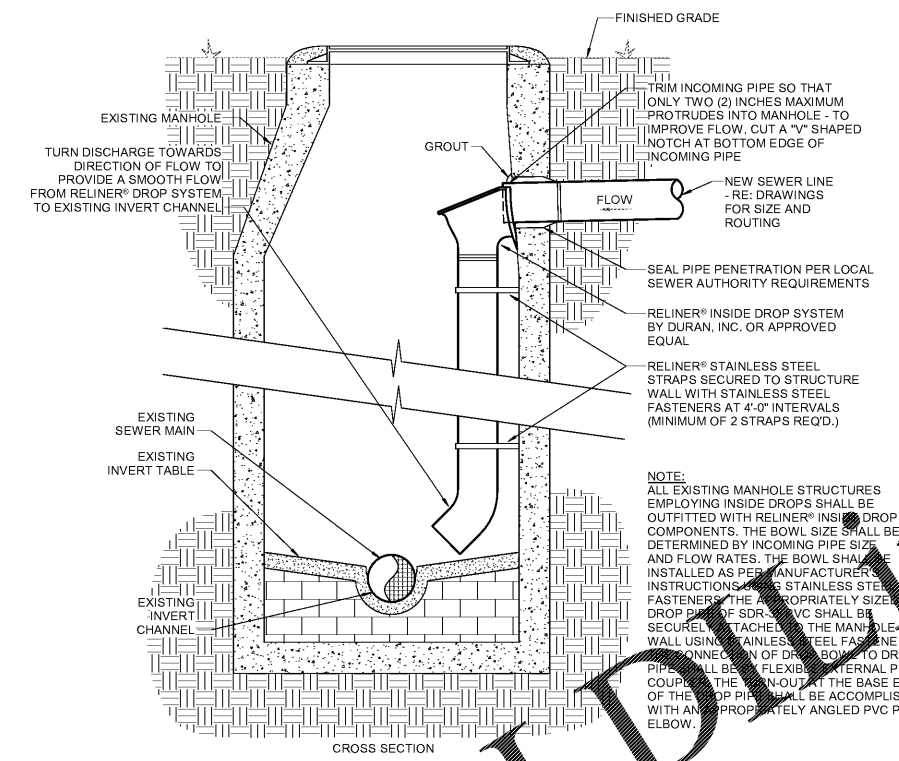
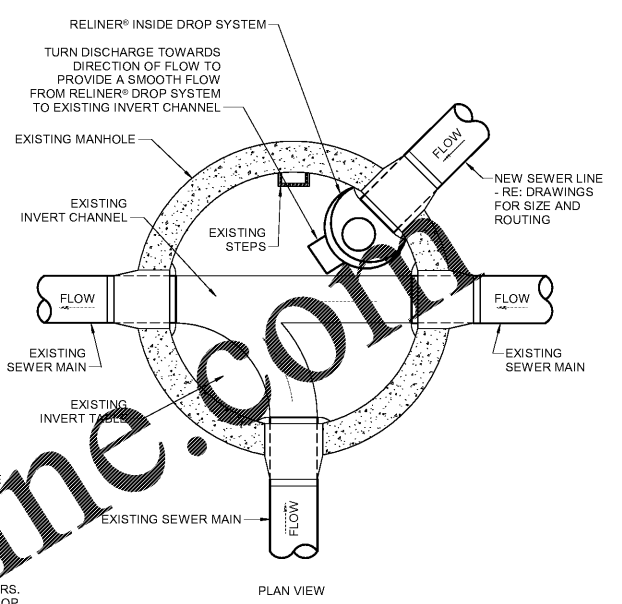


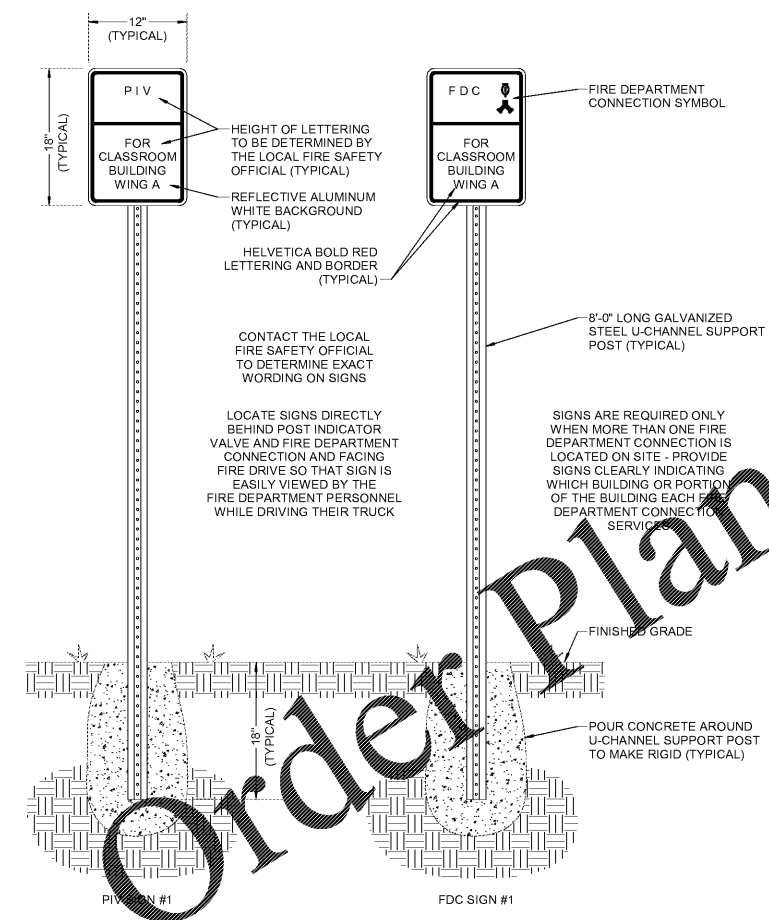
1 EXTERIOR DROP CLEANOUT DETAIL
NTS



2 DROP IN EXISTING SEWER MANHOLE DETAIL
NTS



PLAN VIEW



3 PIV AND FDC SIGN DETAILS
NTS

Order Plans @

WWW.LDWLINE.COM

S&E PROJECT NUMBER	01-615-057
BID PACKAGE / PHASING	BP-1
ISSUED FOR CONSTRUCTION	10/15/2019
Southern AE 7951 Traxon Circle Austell, Ga 30168 (770) 819-7777 architects & engineers	REVISIONS
	R # Doc # Date
<small>© COPYRIGHT 2019 BY SOUTHERN A&E, LLC. ALL RIGHTS RESERVED. THIS DOCUMENT IS THE PROPERTY OF SOUTHERN A&E, LLC AND SHALL NOT BE COPIED OR REPRODUCED IN WHOLE OR IN PART WITHOUT EXPRESS PERMISSION FROM SOUTHERN A&E, LLC.</small>	

ADD ALTERNATE #1
BOARD OF EDUCATION OFFICE FOR:
HEARD COUNTY SCHOOLS
4647 PEA RIDGE ROAD, FRANKLIN, GA 30217
HEARD COUNTY SCHOOL SYSTEM
FRANKLIN, GEORGIA

PLUMBING SITE UTILITY DETAILS	
	DRAWING NUMBER U503