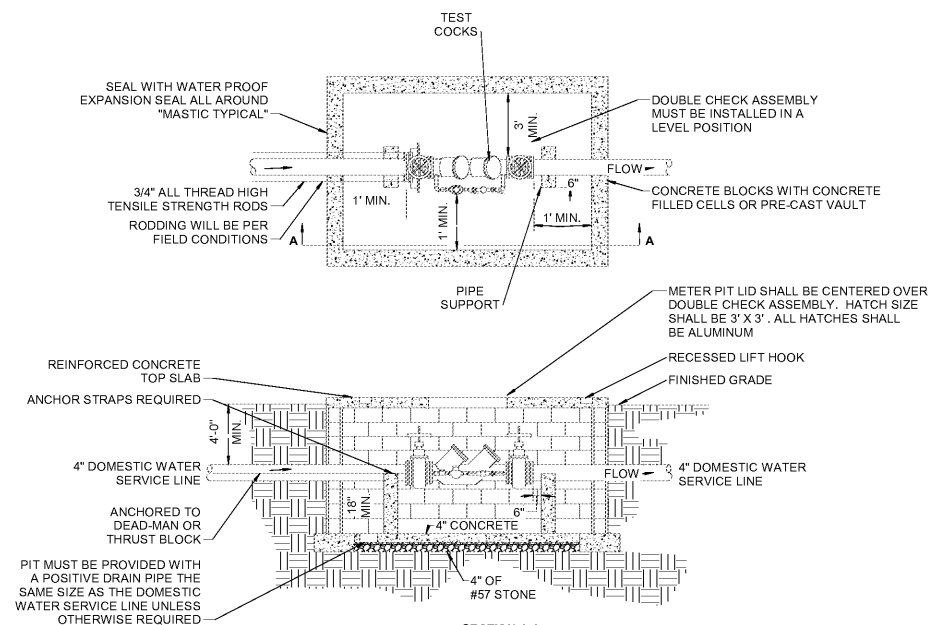
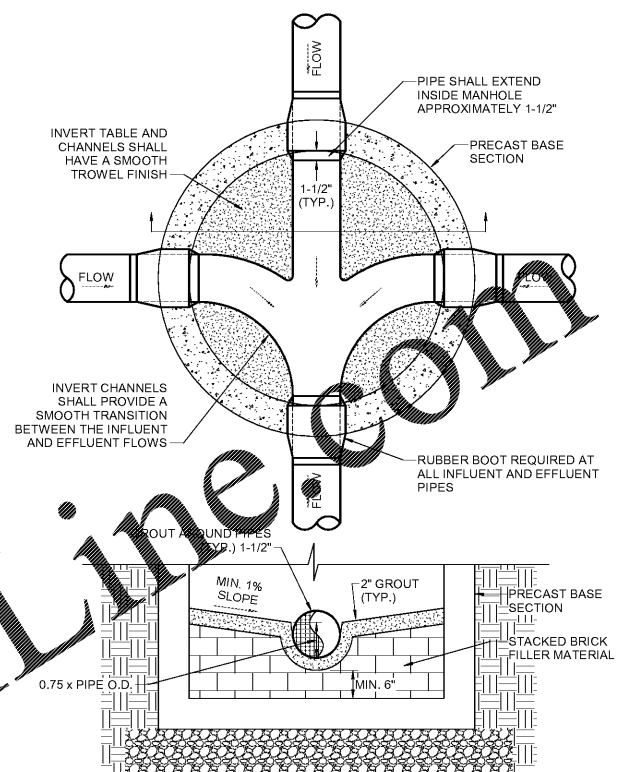


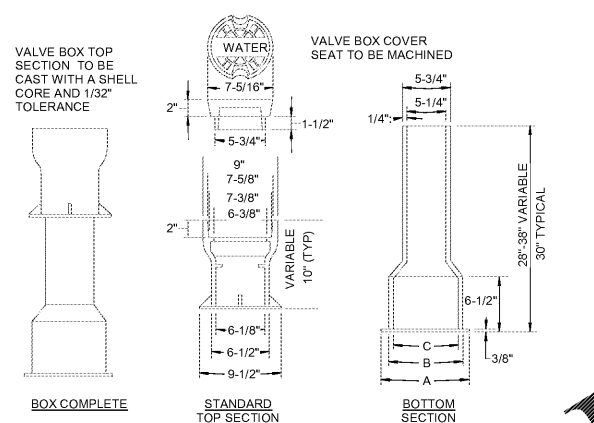
1 DOMESTIC WATER METER DETAIL
NTS



2 DOMESTIC WATER DOUBLE CHECK BACKFLOW PREVENTER VAULT DETAIL
NTS



3 MANHOLE INVERT DETAIL
NTS

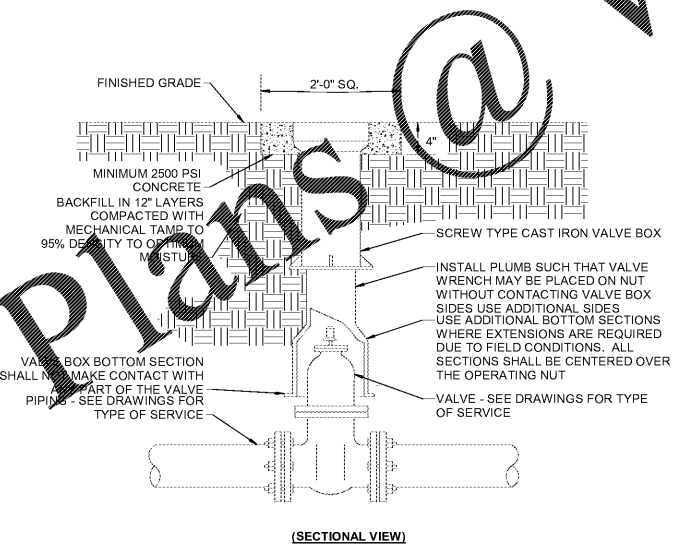


BOTTOM SECTION	A	B	C
4'-6"	9"	8"	
8"	9-1/2"	8-1/2"	7-1/2"
10'-12"	10-1/2"		

- NOTES:
- UNLESS NOTED OTHERWISE, CAST IRON SHALL CONFORM TO AWWA SPECIFICATIONS A48 LATEST REVISION FOR CLASS 200 GREY IRON CASTINGS.
 - CASTINGS SHALL BE TRUE AND FREE OF HOLES. THE SHALL BE CLEANED ACCORDING TO GOOD FOUNDRY PRACTICE AND FROSTED AS REQUIRED TO REMOVE FINIS AND ROUGH PLACES.
 - FINISHED CASTINGS SHALL BE COATED INSIDE AND OUTSIDE WITH COAL TAR PITCH VARNISH AS INDICATED IN AWWA SPECIFICATIONS C110 LATEST REVISION. COATING MAY BE APPLIED WARM AND SHALL THOROUGHLY COVER ALL METAL SURFACES. FINISHED COATING SHALL BE SMOOTH, GLOSSY, NOT BRITTLE WHEN COLD, NOT STICKY WHEN EXPOSED TO THE SUN, AND SHALL ADHERE TO THE METAL AT ALL TEMPERATURES.
 - WHEN COATING IS COMPLETE, LID SHALL FIT SNUGLY WITHOUT ROCKING.
 - TYPE OF SERVICE SHALL BE CAST IN TOP.

(BOX DETAILS)

4 VALVE BOX DETAILS
NTS



SOIL BEARING LOADS	
SOIL TYPE	BEARING LOAD (lb/ft ²)
MUCK (TYPE III)	0
SOFT CLAY (TYPE III)	1000
SILT (TYPE III)	1500
SANDY SILT (TYPE II)	3000
SAND (TYPE I)	4000
SANDY CLAY (TYPE I)	6000

NOTES:

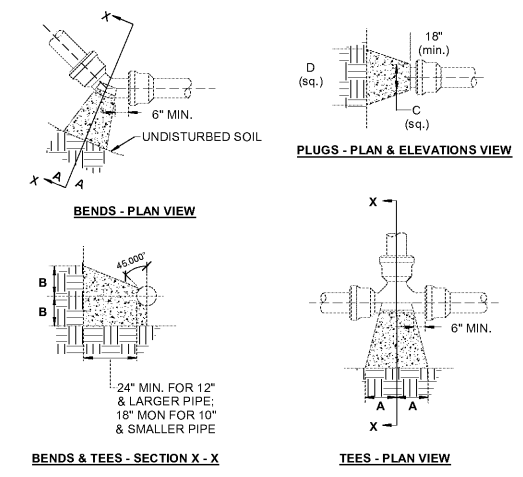
- FOR TYPE I AND TYPE II SOILS USE THRUST BLOCKS FOR PIPE JOINT RESTRAINT - REFER TO THE DETAILS AND THE "THRUST BLOCK MINIMUM DIMENSIONS" CHART FOR REQUIRED THRUST BLOCK SIZES.
- FOR TYPE III SOILS USE STRAPS AND RODS FOR PIPE JOINT RESTRAINT - REFER TO THE SOCKET CLAMP AND ANCHOR STRAP DETAILS AND CHARTS.


SOIL TYPE		90° BEND		45° BEND		22-12° BEND		11-1/4° BEND		TEES		PLUGS	
		A (in.)	B (in.)	A (in.)	B (in.)	A (in.)	B (in.)	A (in.)	B (in.)	A (in.)	B (in.)	C (in.)	D (in.)
TYPE I	4"	6"	8"	4"	8"	2"	6"	2"	6"	6"	8"	8"	12"
	6"	8"	10"	6"	8"	3"	8"	3"	8"	8"	8"	10"	15"
	8"	12"	12"	8"	10"	5"	9"	5"	9"	9"	12"	12"	20"
	10"	16"	14"	10"	12"	6"	10"	6"	10"	11"	14"	14"	25"
MINIMUM 4000 PSF SOIL	12"	19"	16"	12"	14"	8"	11"	8"	11"	11"	14"	16"	30"
	16"	26"	20"	16"	18"	11"	13"	11"	13"	13"	18"	20"	38"
	4"	12"	10"	7"	10"	4"	6"	4"	6"	8"	12"	8"	18"
	6"	16"	10"	9"	10"	6"	8"	6"	8"	10"	12"	12"	21"
TYPE II	8"	22"	13"	12"	13"	8"	10"	8"	10"	13"	16"	12"	29"
	10"	26"	17"	14"	17"	10"	13"	10"	13"	16"	20"	14"	36"
	12"	29"	21"	16"	21"	11"	16"	11"	16"	18"	24"	16"	41"
	16"	38"	27"	21"	27"	12"	24"	12"	24"	24"	30"	20"	54"

NOTE: BASED ON 100 PSI STATIC PRESSURE PLUS AWWA WATER HAMMER. ALL BEARING SURFACES TO BE CARRIED TO UNDISTURBED GROUND.

NOTE: SOIL CONDITIONS SHALL BE VERIFIED BEFORE A PIPE JOINT RESTRAINT DESIGN IS IMPLEMENTED. FORMATION OF CONCRETE SHALL BE SUCH THAT CONCRETE DOES NOT INTERFERE WITH BOLTS/NUTS OR HOLES.

5 THRUST BLOCK PIPE JOINT RESTRAINT DETAILS
NTS



S&E PROJECT NUMBER	01-615-057
BID PACKAGE / PHASING	BP-1
ISSUED FOR CONSTRUCTION	10/15/2019
	
7951 Tricon Circle Austell, Ga 30168 (770) 519-7777	R # Doc # Date
ARCHITECTS & ENGINEERS	

ADD ALTERNATE #1
BOARD OF EDUCATION OFFICE FOR:
HEARD COUNTY SCHOOLS
4647 PEA RIDGE ROAD, FRANKLIN, GA 30217
HEARD COUNTY SCHOOL SYSTEM
FRANKLIN, GEORGIA

PLUMBING SITE UTILITY DETAILS

DRAWING NUMBER
U502

STATE OF GEORGIA
REGISTERED ARCHITECT
CHAS. C. WALDRON, LLC

STATE OF GEORGIA
REGISTERED ENGINEER
CHAS. C. WALDRON, LLC