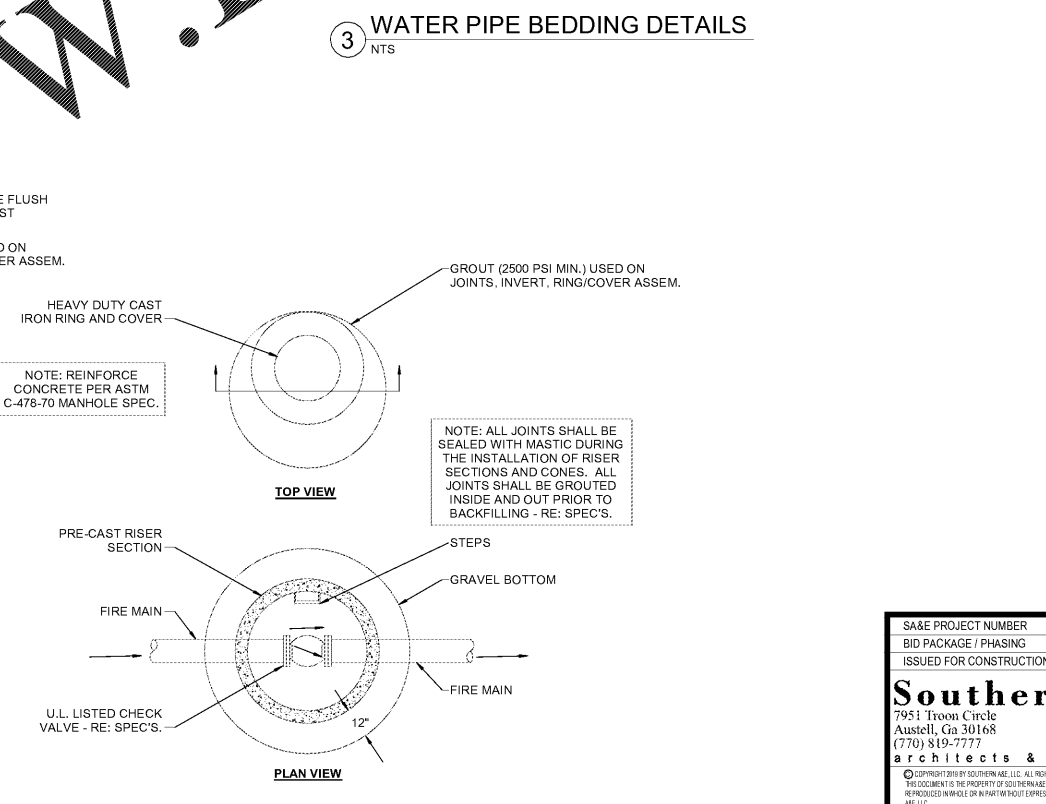
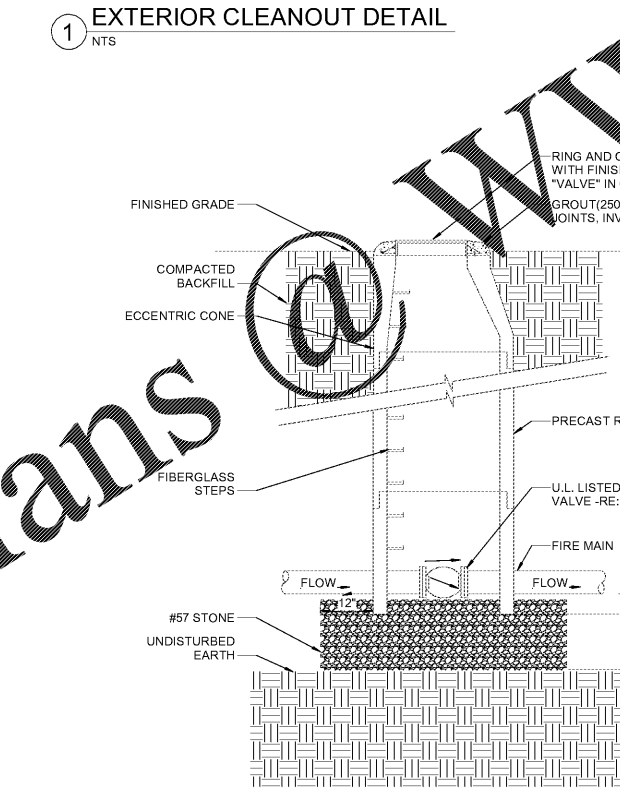
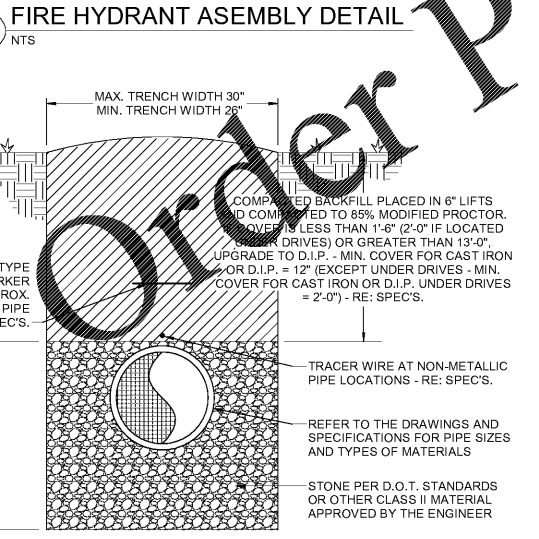
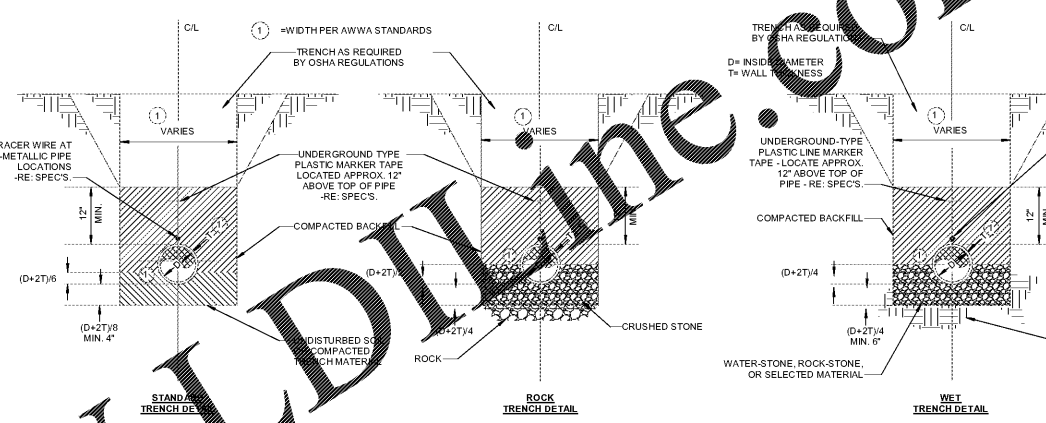
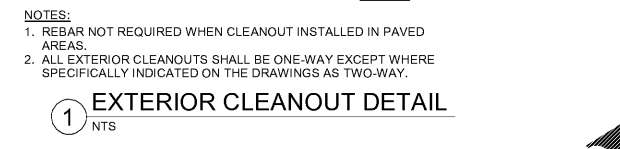
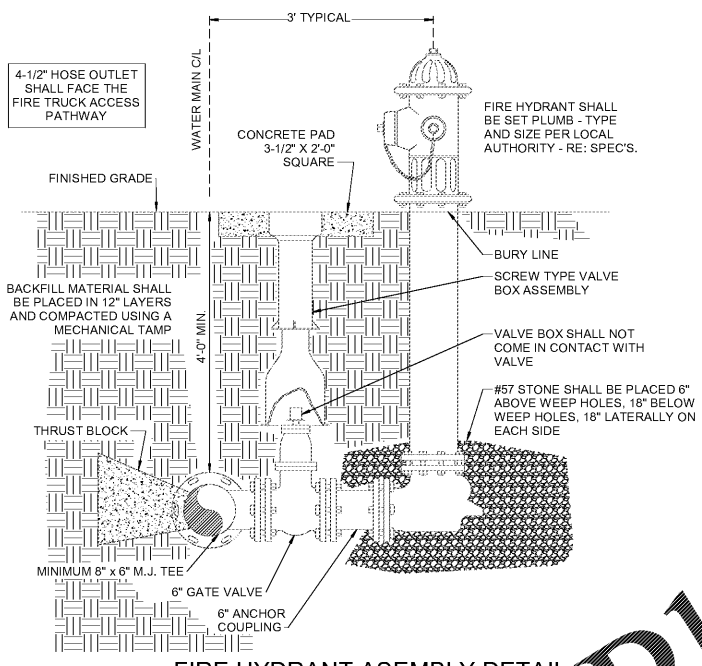
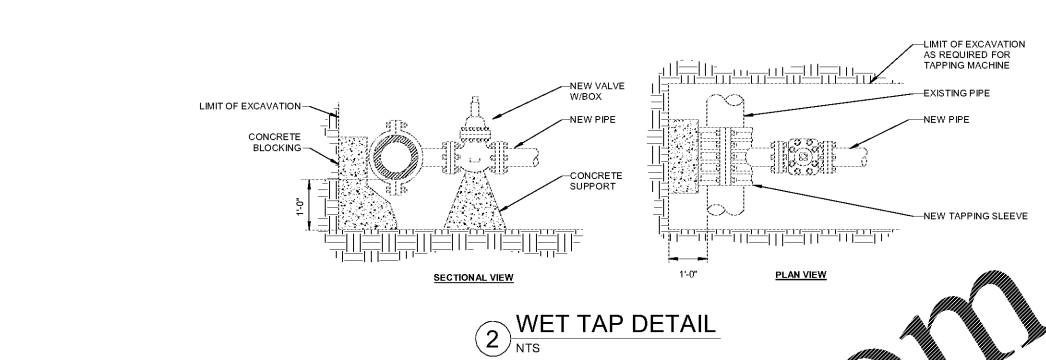
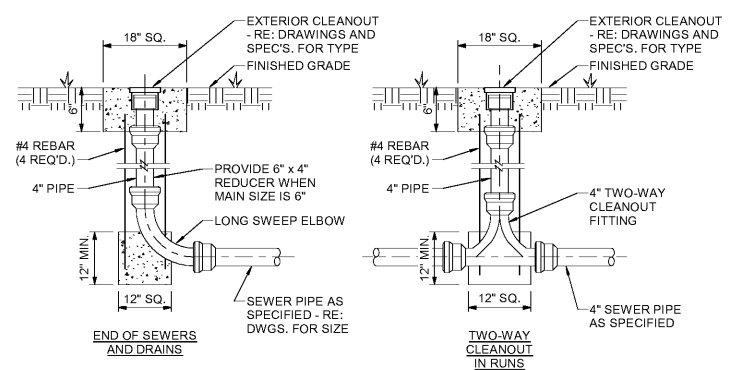
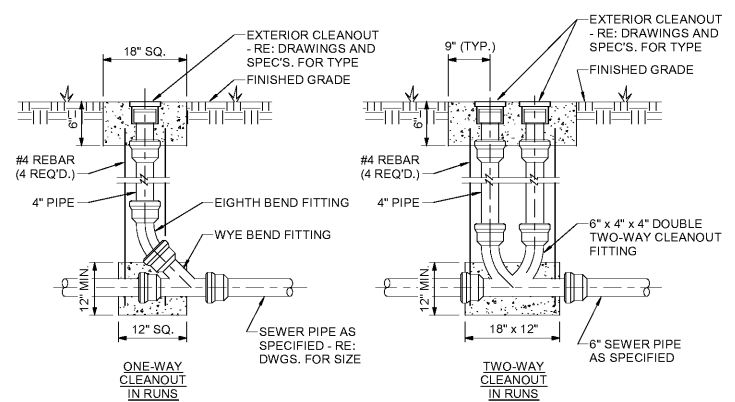


PLUMBING SITE UTILITIES SYMBOL LEGEND		
NOTE: NOT ALL SYMBOLS TABULATED BELOW ARE NECESSARILY USED ON THE DRAWINGS. (N/A = NOT APPLICABLE)		
—SS—	SAN	SANITARY SOIL OR WASTE LINE
—GT—	GT	GREASE TRAP WASTE LINE
—AW—	AW	ACID WASTE LINE
—FM—	FM	FORCED MAIN WASTE LINE
—V—	V	SANITARY VENT LINE
—GT—	GT	GREASE TRAP VENT LINE
—AV—	AV	ACID VENT LINE
—ST—	ST	STORM WASTE LINE
—W—	CW	DOMESTIC WATER LINE
—G—	G	GAS LINE
—F—	F	FIRE WATER LINE
○GV	GV	EXTERIOR GATE VALVE
○CV	CV	EXTERIOR CHECK VALVE
○PIV	PIV	POST INDICATOR VALVE
○FH	FH	FIRE HYDRANT ASSEMBLY
○FDC	GV	FIRE DEPARTMENT CONNECTION
○MH	MH	MANHOLE
○CO	CO	EXTERIOR CLEANOUT
○WM	WM	WATER METER VAULT
○BFP	BFP	BACKFLOW PREVENTER VAULT
○DDC	DDC	DOUBLE DETECTOR CHECK VALVE VAULT
○GM	GM	GAS METER ASSEMBLY
○GT	GT	GREASE TRAP



5 SEWER PIPE BEDDING DETAIL
NTS

1 EXTERIOR CLEANOUT DETAIL
NTS

3 WATER PIPE BEDDING DETAILS
NTS

6 CHECK VALVE IN MANHOLE DETAIL
NTS

4 FIRE HYDRANT ASSEMBLY DETAIL
NTS

2 WET TAP DETAIL
NTS

Order Plans

WWW.LDILINE.COM

S&E PROJECT NUMBER	01-615-057
BID PACKAGE / PHASING	BP-1
ISSUED FOR CONSTRUCTION	10/15/2019
Southern AE	
7951 Tricon Circle Austell, Ga 30168 (770) 519-7777	architects & engineers
REVISIONS	Date

ADD ALTERNATE #1
BOARD OF EDUCATION OFFICE FOR:
HEARD COUNTY SCHOOLS
4647 PEA RIDGE ROAD, FRANKLIN, GA 30217
HEARD COUNTY SCHOOL SYSTEM
FRANKLIN, GEORGIA

PLUMBING SITE UTILITY DETAILS	
DRAWING NUMBER	U501