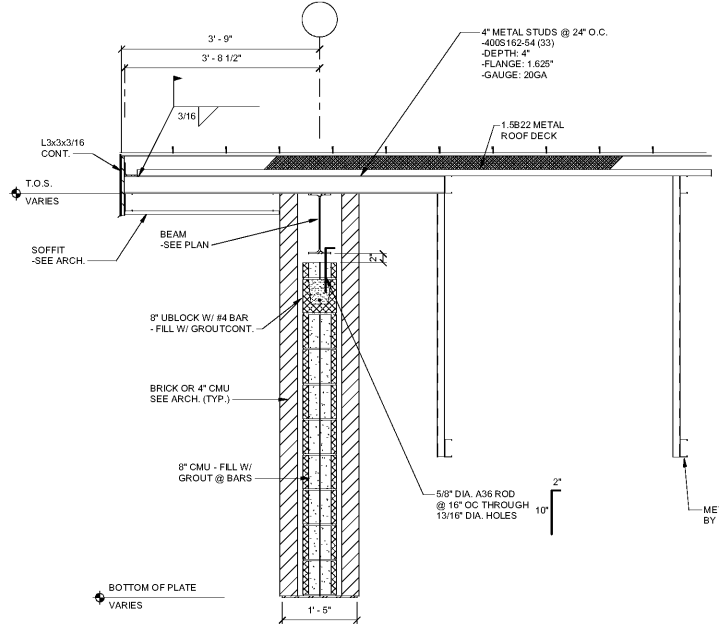


1 EXTERIOR EAVE WALL DETAIL 1
3/4" = 1'-0"

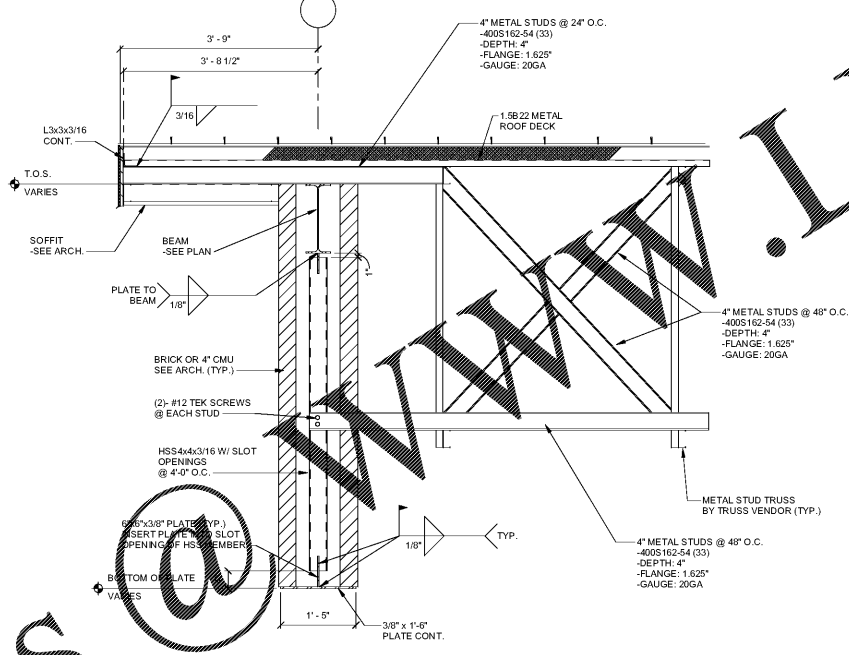
2 EXTERIOR EAVE WALL DETAIL 2
3/4" = 1'-0"

3 EAVE @ CANOPY DETAIL
3/4" = 1'-0"

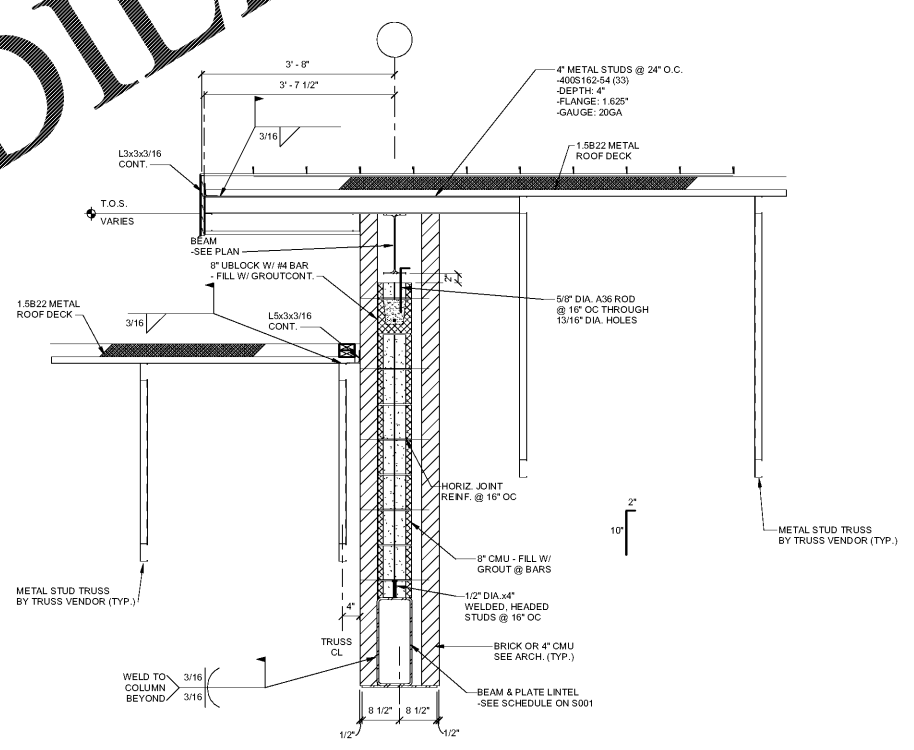
4 EAVE @ CANOPY COLUMN DETAIL
3/4" = 1'-0"



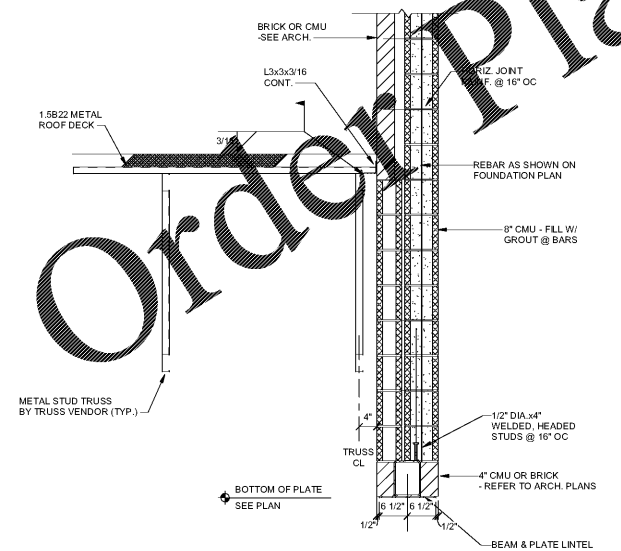
5 RAKE DETAIL @ CANOPY 1
3/4" = 1'-0"



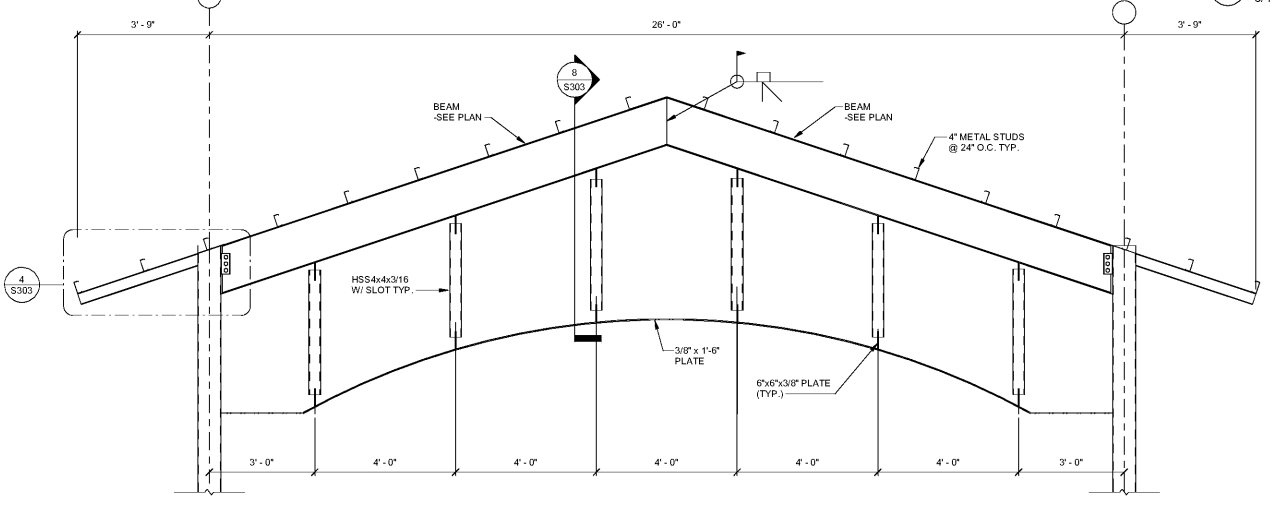
8 RAKE DETAIL @ CANOPY 2
3/4" = 1'-0"



6 ROOF STEP @ CANOPY
3/4" = 1'-0"



7 ROOF STEP @ CONNECTOR
3/4" = 1'-0"



9 ELEVATION VIEW CANOPY
1/2" = 1'-0"

Order Plans @ WWW.LDILine.com

S&E PROJECT NUMBER	01-615-057
BID PACKAGE / PHASING	BP-1
ISSUED FOR CONSTRUCTION	10/15/2019
Southern AE 7951 Tronon Circle Austell, Ga 30168 (770) 819-7777 architects & engineers	REVISIONS
	R # Doc # Date
ADD ALTERNATE #1 BOARD OF EDUCATION OFFICE FOR: HEARD COUNTY SCHOOLS 4647 PEA RIDGE ROAD, FRANKLIN, GA 30217 HEARD COUNTY SCHOOL SYSTEM FRANKLIN, GEORGIA	
ROOF FRAMING DETAILS	
STATE OF GEORGIA REGISTERED PROFESSIONAL ARCHITECT No. 57766 EXPIRES 12/31/2021	DRAWING NUMBER
	S303