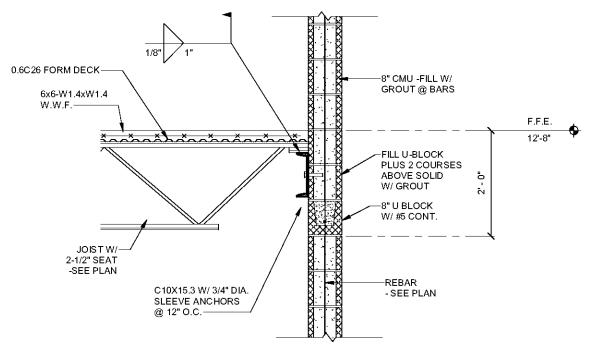
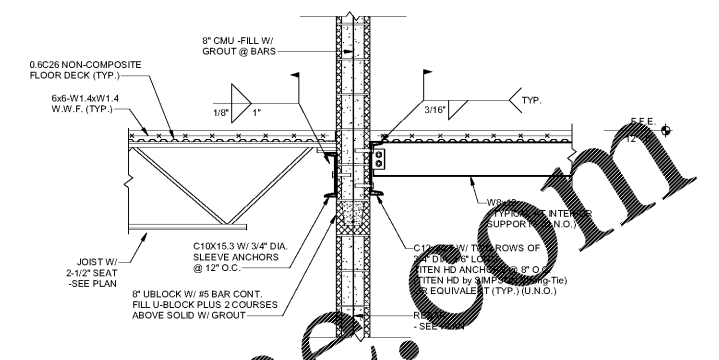


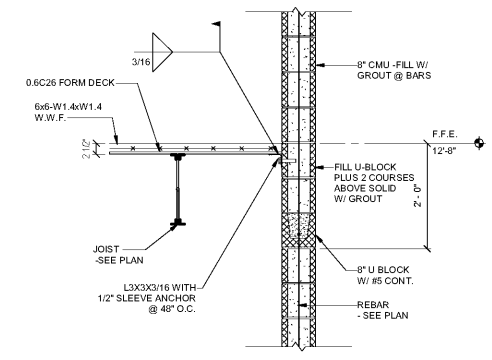
1 FLANGE BRACE DETAIL (FLOOR)
3/4" = 1'-0"



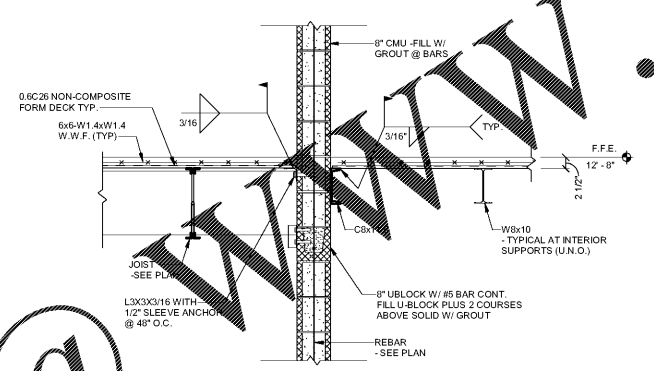
2 FLOOR JOIST BEARING DETAIL AT RATED WALL
3/4" = 1'-0"



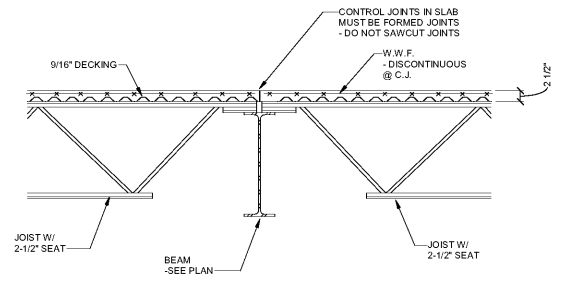
3 FLOOR JOIST BEARING DETAIL AT RATED WALL DETAIL 2
3/4" = 1'-0"



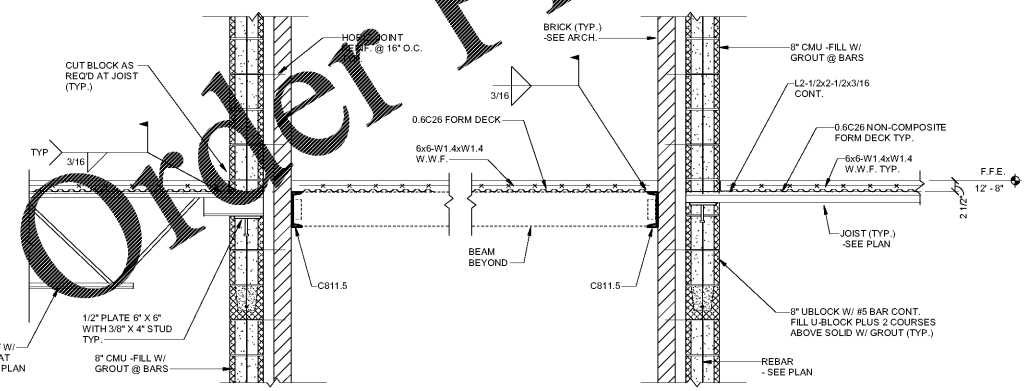
4 FLOOR FRAMING AT RATED WALL DETAIL 1
3/4" = 1'-0"



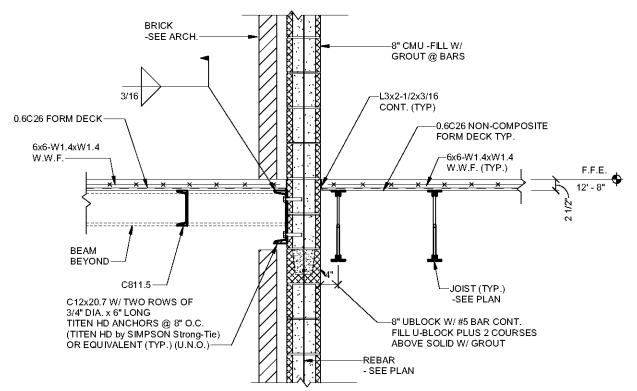
5 FLOOR FRAMING AT RATED WALL DETAIL 2
3/4" = 1'-0"



6 SLAB CONSTRUCTION JOINT ON FRAMED FLOOR
3/4" = 1'-0"




9 EXTERIOR FLOOR FRAMING DETAIL 1
3/4" = 1'-0"



7 EXTERIOR FLOOR FRAMING DETAIL 2
3/4" = 1'-0"

Order Plans @

WWW.LDILINE.COM

SA&E PROJECT NUMBER	01-615-057
BID PACKAGE / PHASING	BP-1
ISSUED FOR CONSTRUCTION	10/15/2019
Southern AE 7951 Tronon Circle Austell, Ga 30168 (770) 819-7777 architects & engineers	REVISIONS
	R # Doc # Date
ADD ALTERNATE #1 BOARD OF EDUCATION OFFICE FOR: HEARD COUNTY SCHOOLS 4647 PEA RIDGE ROAD, FRANKLIN, GA 30217 HEARD COUNTY SCHOOL SYSTEM FRANKLIN, GEORGIA	
FLOOR FRAMING DETAILS	
	DRAWING NUMBER S302