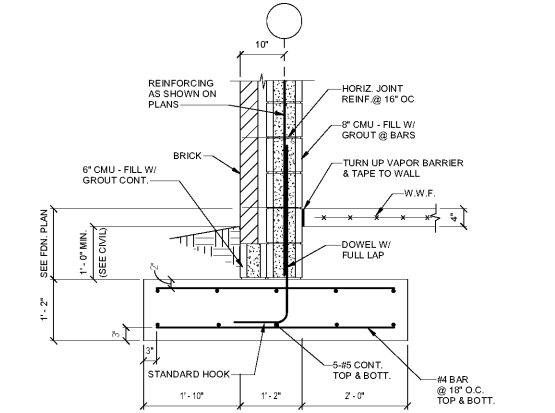
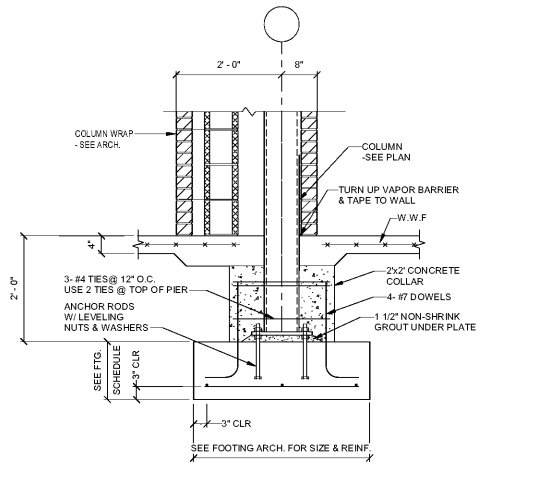


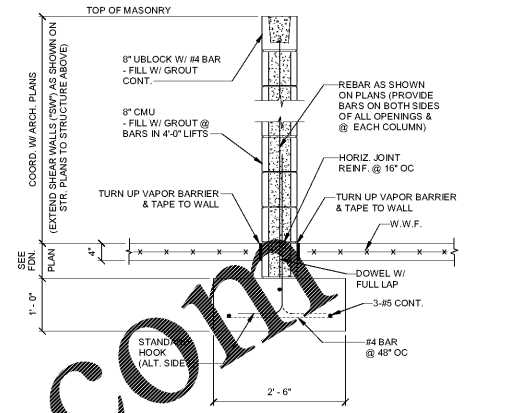
1 EXTERIOR WALL FOOTING - 1'-2" WALL
3/4" = 1'-0"



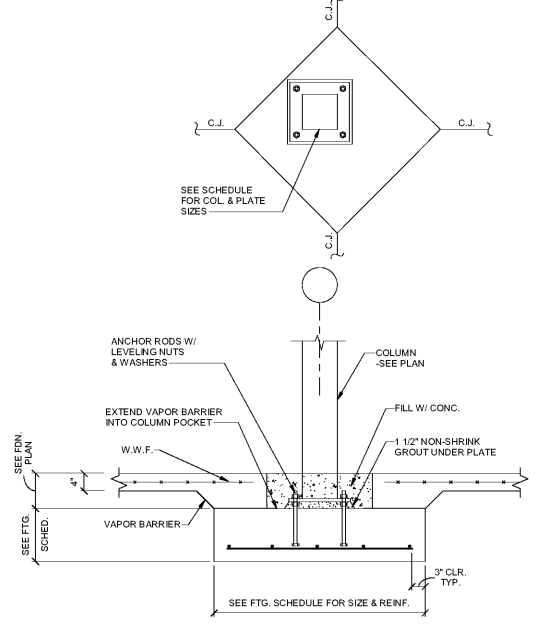
2 EXTERIOR WALL FOOTING AT CONNECTOR
3/4" = 1'-0"



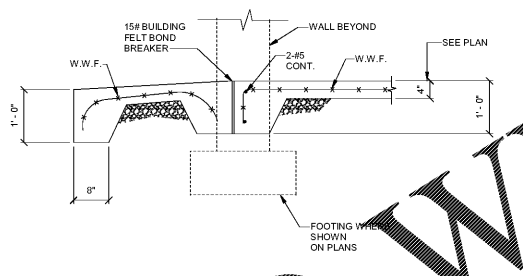
3 FIXED BASE COLUMN AT PORTICO
3/4" = 1'-0"



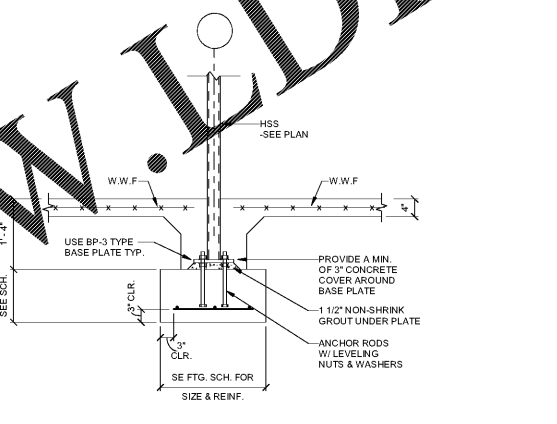
4 INTERIOR WALL FOOTING - 8" CMU
3/4" = 1'-0"



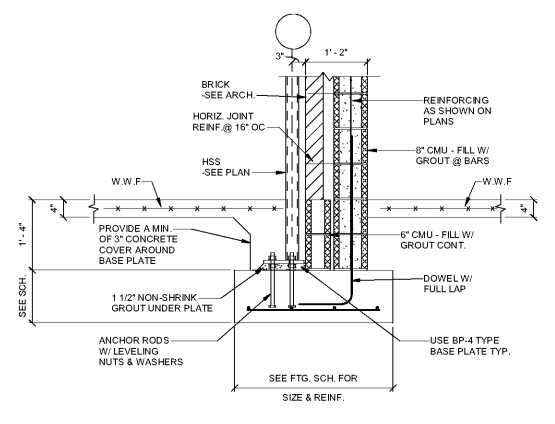
5 INTERIOR COLUMN FOOTING
3/4" = 1'-0"



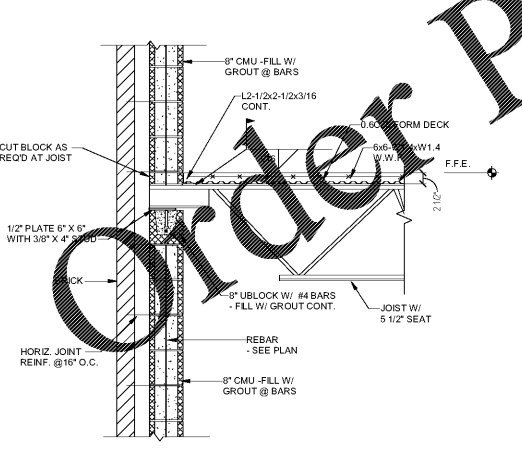
6 TURN-DOWN AT EXIT
3/4" = 1'-0"



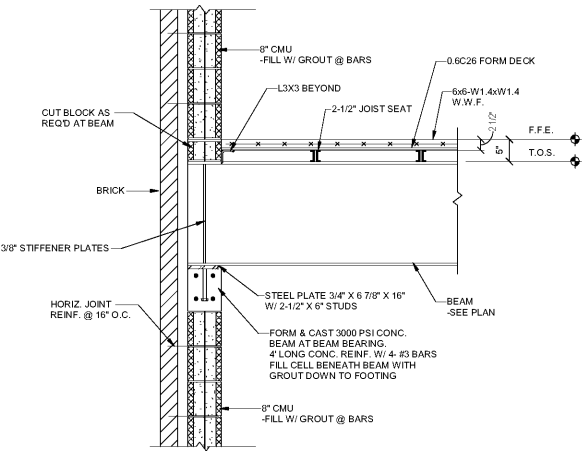
7 EXT. STAIR COLUMN FOOTING DETAIL 1
3/4" = 1'-0"



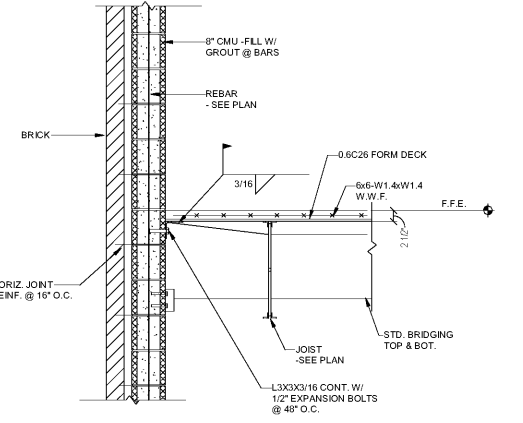
8 EXT. STAIR COLUMN FOOTING DETAIL 2
3/4" = 1'-0"



9 EXT. WALL - JOIST BEARING DETAIL
3/4" = 1'-0"



10 EXT. WALL - BEAM BEARING DETAIL
3/4" = 1'-0"



11 EXTERIOR WALL DETAIL
3/4" = 1'-0"

Order Plans @

WWW.LDILine.com

S&E PROJECT NUMBER	01-615-057
BID PACKAGE / PHASING	BP-1
ISSUED FOR CONSTRUCTION	10/15/2019
Southern AE 7951 Truon Circle Austell, Ga 30168 (770) 819-7777 architects & engineers	
REVISIONS	R # Doc # Date

ADD ALTERNATE #1
BOARD OF EDUCATION OFFICE FOR:
HEARD COUNTY SCHOOLS
 4647 PEA RIDGE ROAD, FRANKLIN, GA 30217
HEARD COUNTY SCHOOL SYSTEM
 FRANKLIN, GEORGIA

FOUNDATION & FLOOR FRAMING DETAILS

		DRAWING NUMBER
		S301