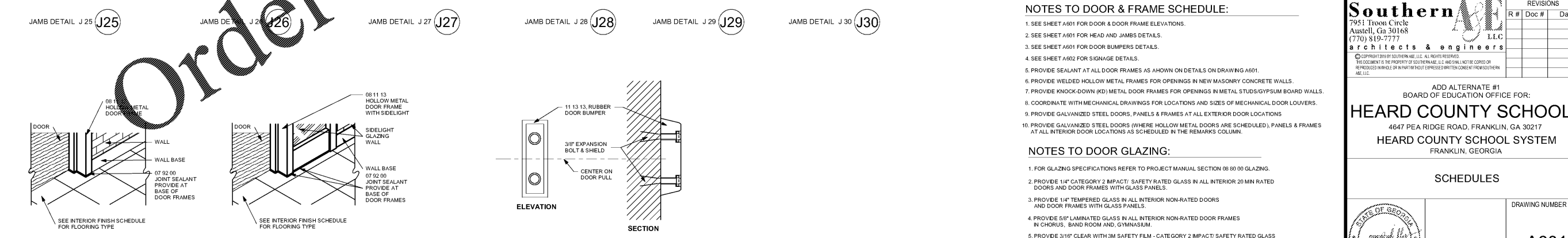
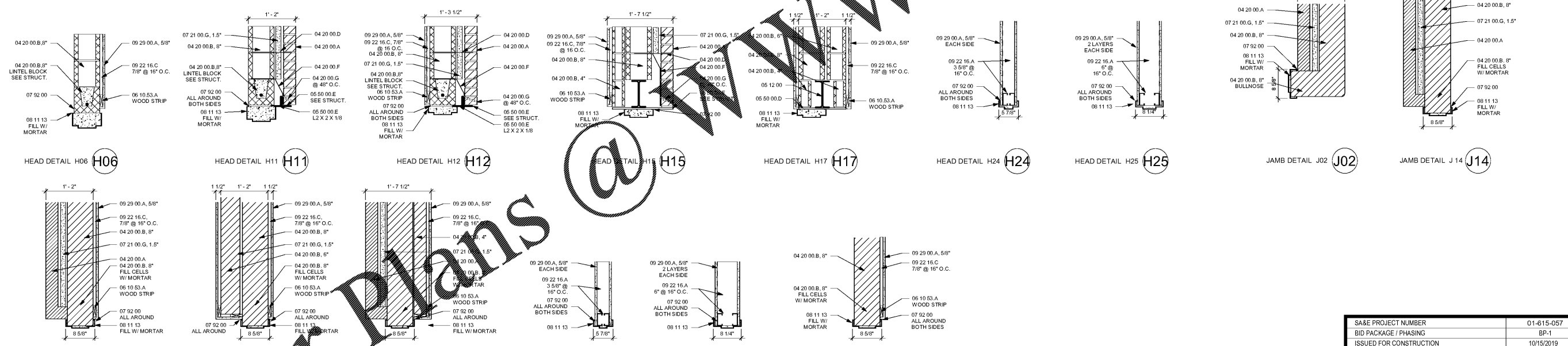
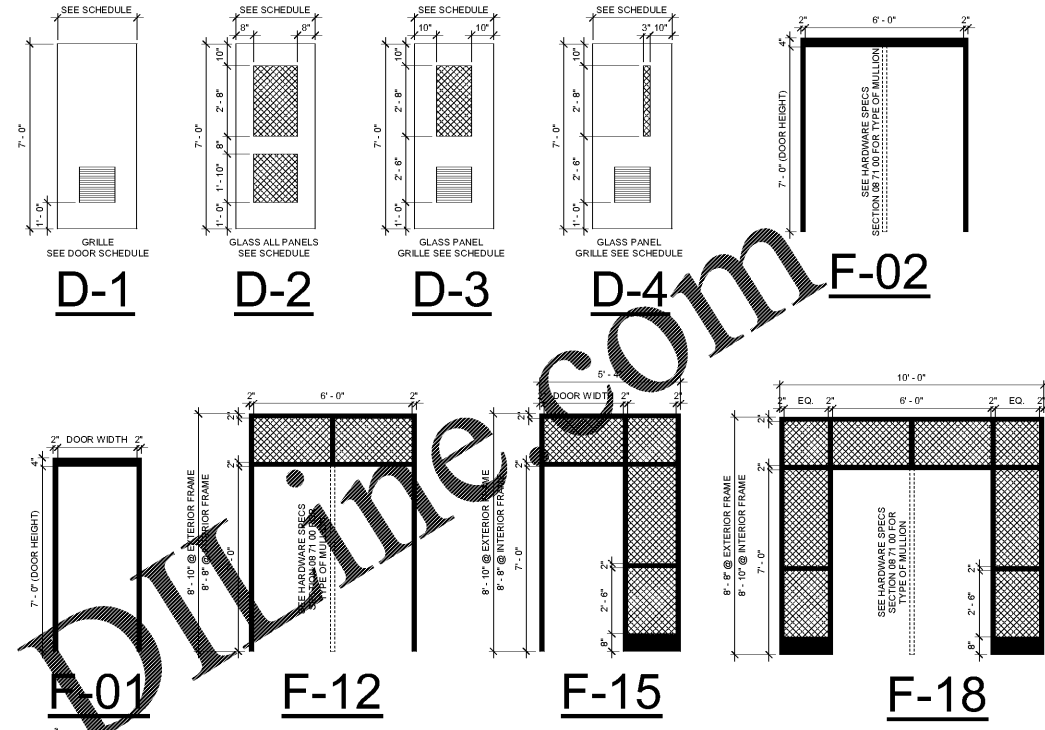


DOOR & FRAME SCHEDULE

FRAME DESCRIPTION										DOOR DESCRIPTION									
DOOR NUMBER	FRAME ELEVATION	FRAME MATERIAL	RATED FRAME	SIZE		DETAILS		THRESHOLD	SIGNAGE	STOPS	DOOR ELEVATION	DOOR MATERIAL	ELECTRICAL HARDWARE		SIZE		REMARKS		
				JAMB WIDTH	HEAD HEIGHT	HEAD	JAMB						ACCESS CONTROL	DOOR CONTACTS	WIDTH	HEIGHT		PAIR	RATING
101a	F-01	HOLLOW METAL		5'7 7/8"	7'-4"	H-24	J-28	CARPET EDGE	TYPE A-2		D-4	SOLID CORE WOOD			3'-0"	7'-0"			
102a	F-01	HOLLOW METAL		5'7 7/8"	7'-4"	H-24	J-28				D-1	SOLID CORE WOOD			3'-0"	7'-0"			
103a	F-01	HOLLOW METAL		5'7 7/8"	7'-4"	H-24	J-28	MARBLE	TYPE C-3		D-1	SOLID CORE WOOD			3'-0"	7'-0"			
104a	F-01	HOLLOW METAL		5'7 7/8"	7'-4"	H-24	J-28		TYPE A-1		D-4	SOLID CORE WOOD			3'-0"	7'-0"			
105a	F-01	HOLLOW METAL		5'7 7/8"	7'-4"	H-24	J-28	CARPET EDGE	TYPE A-2		D-4	SOLID CORE WOOD			3'-0"	7'-0"			
106a	F-01	HOLLOW METAL		5'7 7/8"	7'-4"	H-24	J-28	CARPET EDGE	TYPE A-2		D-4	SOLID CORE WOOD			3'-0"	7'-0"			
107a	F-01	HOLLOW METAL		5'7 7/8"	7'-4"	H-24	J-28	CARPET EDGE	TYPE A-2		D-4	SOLID CORE WOOD			3'-0"	7'-0"			
108a	F-01	HOLLOW METAL		5'7 7/8"	7'-4"	H-24	J-28	CARPET EDGE	TYPE A-2		D-4	SOLID CORE WOOD			3'-0"	7'-0"			
109a	F-01	HOLLOW METAL		5'7 7/8"	7'-4"	H-24	J-28	CARPET EDGE	TYPE A-2		D-4	SOLID CORE WOOD			3'-0"	7'-0"			
110a	F-01	HOLLOW METAL		5'7 7/8"	7'-4"	H-24	J-28	CARPET EDGE	TYPE A-2		D-4	SOLID CORE WOOD			3'-0"	7'-0"			
111a	F-01	HOLLOW METAL		5'7 7/8"	7'-4"	H-24	J-28	CARPET EDGE	TYPE A-2		D-1	SOLID CORE WOOD			3'-0"	7'-0"			
112a	F-01	HOLLOW METAL		5'7 7/8"	7'-4"	H-24	J-28				D-1	SOLID CORE WOOD			3'-0"	7'-0"			
113a	F-01	HOLLOW METAL	X	8'5 5/8"	7'-4"	H-06	J-30		TYPE S		D-2	SOLID CORE WOOD			3'-0"	7'-0"	45 MIN		
113b	F-01	HOLLOW METAL	X	8'5 5/8"	7'-4"	H-06	J-30		TYPE S		D-2	SOLID CORE WOOD			3'-0"	7'-0"	45 MIN		
115a	F-01	HOLLOW METAL		5'7 7/8"	7'-4"	H-24	J-28	MARBLE	TYPE C-1		D-1	SOLID CORE WOOD			3'-0"	7'-0"			
116a	F-01	HOLLOW METAL		5'7 7/8"	7'-4"	H-24	J-28	MARBLE	TYPE C-2		D-1	SOLID CORE WOOD			3'-0"	7'-0"			
117a	F-01	HOLLOW METAL		5'7 7/8"	7'-4"	H-24	J-28				D-1	SOLID CORE WOOD			3'-0"	7'-0"			
119a	F-01	HOLLOW METAL		5'7 7/8"	7'-4"	H-24	J-28				D-1	SOLID CORE WOOD			3'-0"	7'-0"			
120a	F-01	HOLLOW METAL		5'7 7/8"	7'-4"	H-24	J-28	CARPET EDGE	TYPE A-1		D-1	SOLID CORE WOOD			3'-0"	7'-0"			
120b	F-01	HOLLOW METAL		5'7 7/8"	7'-4"	H-24	J-28				D-4	SOLID CORE WOOD			3'-0"	7'-0"			
121a	F-18	HOLLOW METAL		8'5 5/8"	8'-8"	H-15	J-27	ALUMINUM			D-2	FRP	X		3'-0"	7'-0"	X		
121b	F-18	HOLLOW METAL		8'5 5/8"	8'-8"	H-17	J-26				D-2	SOLID CORE WOOD			3'-0"	7'-0"	X		
122a	F-02	HOLLOW METAL		8'1 1/4"	7'-4"	H-25	J-29				D-4	SOLID CORE WOOD	X		3'-0"	7'-0"	X		
122b	F-01	HOLLOW METAL		5'7 7/8"	7'-4"	H-24	J-28				D-4	SOLID CORE WOOD			3'-0"	7'-0"			
122c	F-01	HOLLOW METAL		5'7 7/8"	7'-4"	H-24	J-28				D-4	SOLID CORE WOOD			3'-0"	7'-0"			
123a	F-01	HOLLOW METAL	X	5'7 7/8"	7'-4"	H-24	J-28	RUBBER			D-4	SOLID CORE WOOD			3'-0"	7'-0"	45 MIN		
124a	F-01	HOLLOW METAL	X	5'7 7/8"	7'-4"	H-24	J-28	RUBBER	TYPE B		D-4	SOLID CORE WOOD			3'-0"	7'-0"	45 MIN		
125a	F-01	HOLLOW METAL		5'7 7/8"	7'-4"	H-24	J-28	CARPET EDGE	TYPE A-2		D-4	SOLID CORE WOOD			3'-0"	7'-0"			
125b	F-01	HOLLOW METAL		5'7 7/8"	7'-4"	H-24	J-28	CARPET EDGE	TYPE A-2		D-4	SOLID CORE WOOD			3'-0"	7'-0"			
126a	F-15	HOLLOW METAL		8'5 5/8"	8'-8"	H-12	J-25	ALUMINUM			D-2	FRP	X		3'-0"	7'-0"			
126b	F-15	HOLLOW METAL		8'5 5/8"	8'-8"	H-12	J-25	ALUMINUM			D-2	FRP	X		3'-0"	7'-0"			
129a	F-01	HOLLOW METAL		8'5 5/8"	7'-4"	H-11	J-14	ALUMINUM			D-1	FRP	X		3'-0"	7'-0"		PROVIDE 12" X 12" DOOR GRILLE	
130a	F-01	HOLLOW METAL		8'5 5/8"	7'-4"	H-11	J-14	ALUMINUM			D-1	FRP	X		3'-0"	7'-0"			
201a	F-15	HOLLOW METAL		8'5 5/8"	8'-8"	H-12	J-25	ALUMINUM			D-2	FRP	X		3'-0"	7'-0"			
201b	F-15	HOLLOW METAL		8'5 5/8"	8'-8"	H-12	J-25	ALUMINUM			D-2	FRP	X		3'-0"	7'-0"			
202a	F-01	HOLLOW METAL		8'1 1/4"	7'-4"	H-25	J-29	MARBLE			D-4	SOLID CORE WOOD			3'-0"	7'-0"			
203a	F-01	HOLLOW METAL	X	5'7 7/8"	7'-4"	H-24	J-28	RUBBER	TYPE B		D-1	SOLID CORE WOOD			4'-0"	7'-0"	X	45 MIN	
204a	F-01	HOLLOW METAL	X	8'1 1/4"	7'-4"	H-25	J-29	MARBLE	TYPE B		D-1	SOLID CORE WOOD			3'-0"	7'-0"		45 MIN	
205a	F-01	HOLLOW METAL		5'7 7/8"	7'-4"	H-24	J-28	MARBLE	TYPE C-2		D-1	SOLID CORE WOOD			3'-0"	7'-0"			
206a	F-01	HOLLOW METAL		5'7 7/8"	7'-4"	H-24	J-28	MARBLE	TYPE C-1		D-1	SOLID CORE WOOD			3'-0"	7'-0"			
207a	F-01	HOLLOW METAL	X	8'5 5/8"	7'-4"	H-06	J-30	RUBBER	TYPE B		D-1	SOLID CORE WOOD			3'-0"	7'-0"		90 MIN	



- NOTES TO DOOR & FRAME SCHEDULE:**
- SEE SHEET A601 FOR DOOR & DOOR FRAME ELEVATIONS.
 - SEE SHEET A601 FOR HEAD AND JAMBS DETAILS.
 - SEE SHEET A601 FOR DOOR BUMPERS DETAILS.
 - SEE SHEET A602 FOR SIGNAGE DETAILS.
 - PROVIDE SEALANT AT ALL DOOR FRAMES AS SHOWN ON DETAILS ON DRAWING A601.
 - PROVIDE WELDED HOLLOW METAL FRAMES FOR OPENINGS IN NEW MASONRY CONCRETE WALLS.
 - PROVIDE KNOCK-DOWN (KD) METAL DOOR FRAMES FOR OPENINGS IN METAL STUDS/GYPSUM BOARD WALLS.
 - COORDINATE WITH MECHANICAL DRAWINGS FOR LOCATIONS AND SIZES OF MECHANICAL DOOR LOUVERS.
 - PROVIDE GALVANIZED STEEL DOORS, PANELS & FRAMES AT ALL EXTERIOR DOOR LOCATIONS.
 - PROVIDE GALVANIZED STEEL DOORS (WHERE HOLLOW METAL DOORS ARE SCHEDULED), PANELS & FRAMES AT ALL INTERIOR DOOR LOCATIONS AS SCHEDULED IN THE REMARKS COLUMN.
- NOTES TO DOOR GLAZING:**
- FOR GLAZING SPECIFICATIONS REFER TO PROJECT MANUAL SECTION 08 00 00 GLAZING.
 - PROVIDE 1/4" CATEGORY 2 IMPACT, SAFETY RATED GLASS IN ALL INTERIOR 20 MIN RATED DOORS AND DOOR FRAMES WITH GLASS PANELS.
 - PROVIDE 1/4" TEMPERED GLASS IN ALL INTERIOR NON-RATED DOORS AND DOOR FRAMES WITH GLASS PANELS.
 - PROVIDE 5/8" LAMINATED GLASS IN ALL INTERIOR NON-RATED DOOR FRAMES IN CHORUS, BAND ROOM AND GYMNASIUM.
 - PROVIDE 3/16" CLEAR WITH 3M SAFETY FILM - CATEGORY 2 IMPACT SAFETY RATED GLASS IN ALL 45, 60, AND 90 MIN RATED DOORS AND DOOR FRAMES WITH GLASS PANELS.
 - PROVIDE 1" TEMPERED INSULATED LOW "E" GLASS IN ALL EXTERIOR NON-RATED DOORS AND DOOR FRAMES WITH GLASS PANELS.

S&E PROJECT NUMBER	01-615-057
BID PACKAGE / PHASING	BP-1
ISSUED FOR CONSTRUCTION	10/15/2019
REVISIONS	
R #	Doc #
Date	

Southern AE
7951 Traxon Circle
Austell, GA 30168
(770) 519-7777
architects & engineers

ADD ALTERNATE #1
BOARD OF EDUCATION OFFICE FOR:
HEARD COUNTY SCHOOLS
4647 PEA RIDGE ROAD, FRANKLIN, GA 30217
HEARD COUNTY SCHOOL SYSTEM
FRANKLIN, GEORGIA

SCHEDULES

DRAWING NUMBER
A601