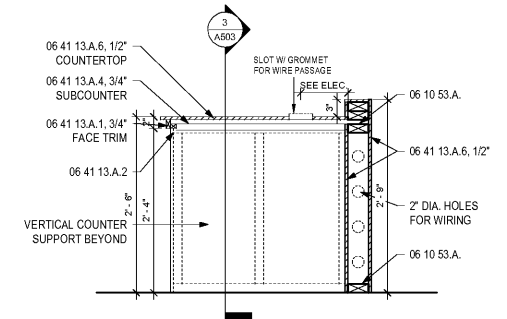
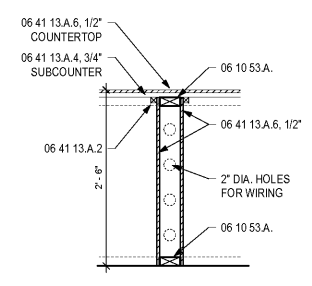


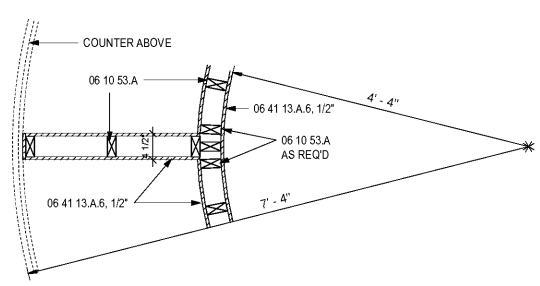
1 PLAN DETAIL - BOARD/TRAINING ROOM CONFERENCE TABLE  
3/4" = 1'-0"



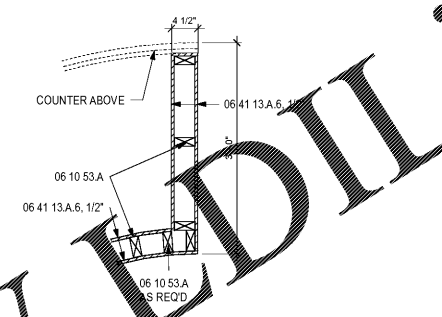
2 TYPICAL SECTION - BOARD ROOM CONFERENCE TABLE  
1" = 1'-0"



3 VERTICAL SUPPORT TRAINING ROOM CONFERENCE TABLE  
1" = 1'-0"



4 BOARD ROOM CONFERENCE TABLE PLAN DETAIL 01  
1" = 1'-0"



5 BOARD ROOM CONFERENCE TABLE PLAN DETAIL 02  
1" = 1'-0"

Order Plans @ WWW.EDILine.com

SA&E PROJECT NUMBER	01-615-057
BID PACKAGE / PHASING	BP-1
ISSUED FOR CONSTRUCTION	10/15/2019
<b>Southern AE</b> 7951 Tricon Circle Austell, Ga 30168 (770) 819-7777 LLC architects & engineers	REVISIONS
	R # Doc # Date
ADD ALTERNATE #1 BOARD OF EDUCATION OFFICE FOR: <b>HEARD COUNTY SCHOOLS</b> 4647 PEA RIDGE ROAD, FRANKLIN, GA 30217 HEARD COUNTY SCHOOL SYSTEM FRANKLIN, GEORGIA	
MILLWORK DETAILS	
	DRAWING NUMBER
	A503