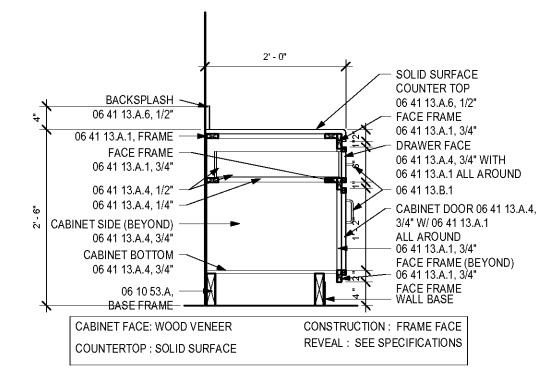
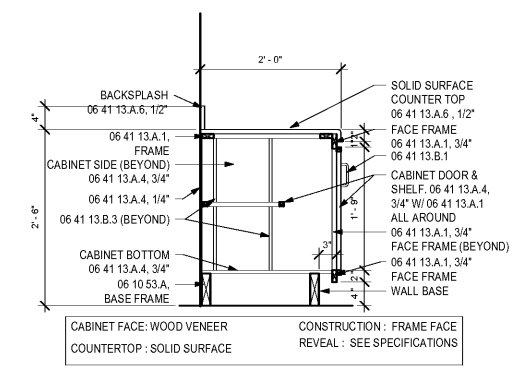


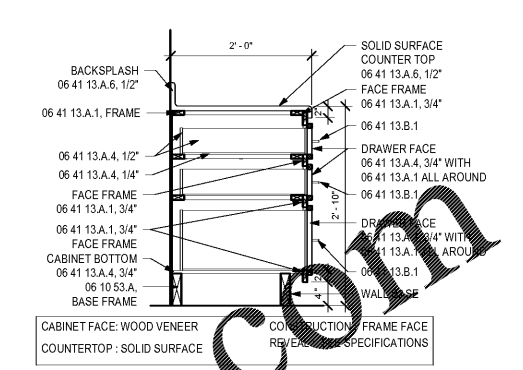
① TYPICAL SECTION - BASE CABINET W/ SINGLE H.C. COUNTER SINK_SF
1" = 1'-0"



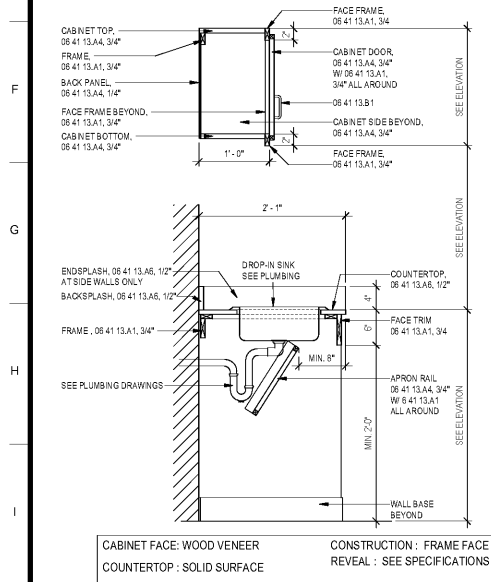
② TYPICAL SECTION - BASE CABINET (ONE DRAWER) 2'-6" SF
1" = 1'-0"



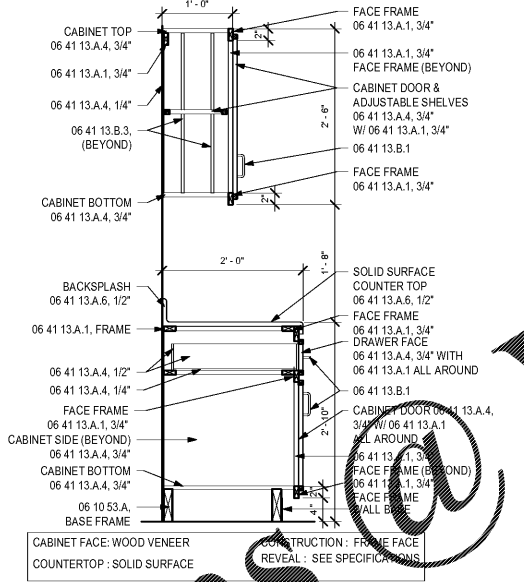
③ TYPICAL SECTION - BASE CABINET (DOORS) 2'-6" SF
1" = 1'-0"



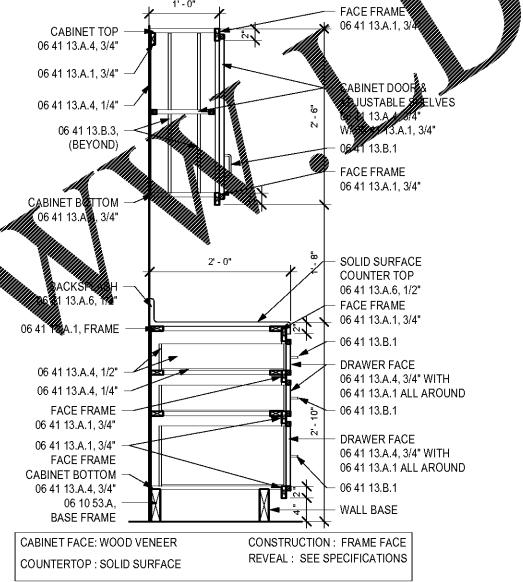
④ TYPICAL SECTION - BASE CABINET ON SOLID SURFACE COUNTER TOP
1" = 1'-0"



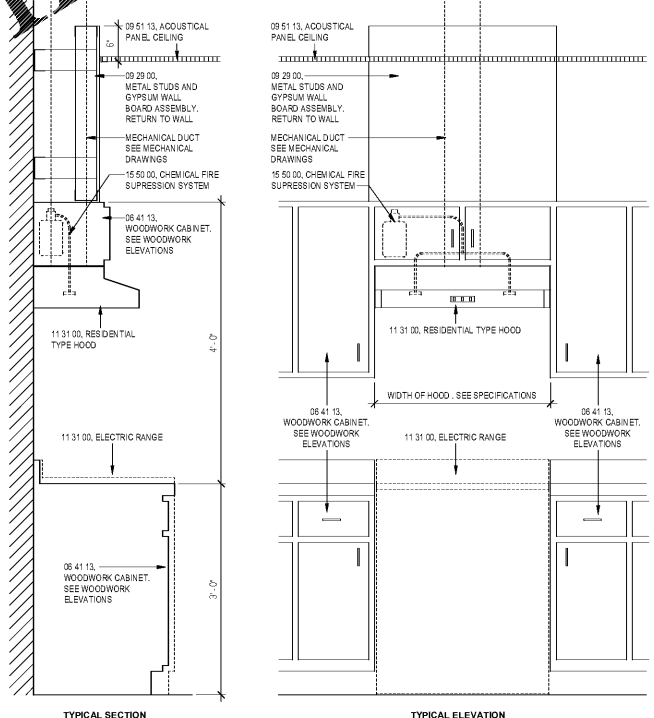
⑤ WALL CABINET W/ SINGLE H.C. COUNTER SINK_SF
1" = 1'-0"



⑥ MILLWORK SECTION - SOLID SURFACE COUNTER TOP
1" = 1'-0"

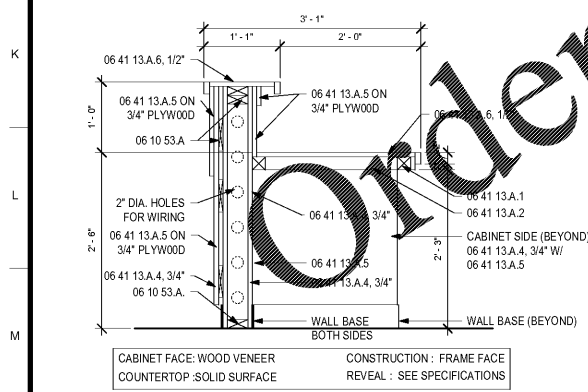


⑦ MILLWORK SECTION - SOLID SURFACE COUNTER TOP
1" = 1'-0"

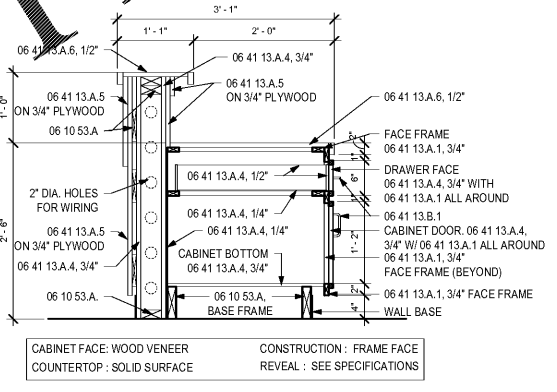


TYPICAL RESIDENTIAL TYPE KITCHEN HOOD FOR RANGE

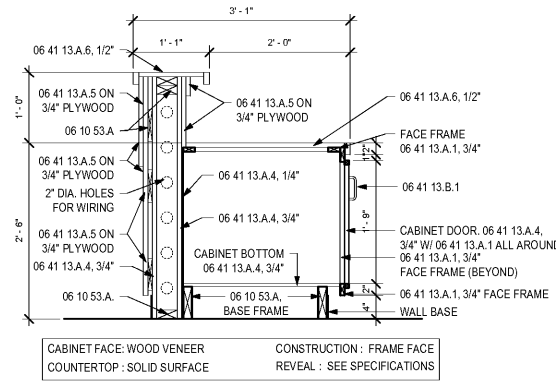
⑫ TYPICAL SECTION - KITCHEN RANGE
1" = 1'-0"



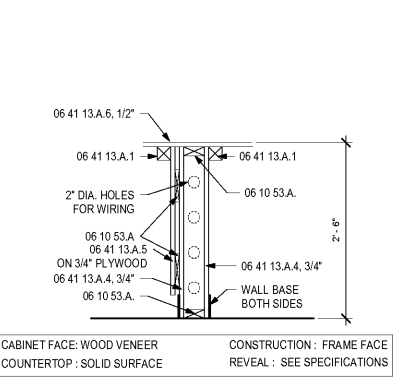
⑧ TYPICAL SECTION - RECEPTION COUNTER W/ KNEE SPACE
1" = 1'-0"



⑨ TYPICAL SECTION - RECEPTION COUNTER W/ BASE CABINET (ONE DRAWER)
1" = 1'-0"



⑩ TYPICAL SECTION - RECEPTION COUNTER W/ BASE CABINET SUPPORT
1" = 1'-0"



⑪ TYPICAL SECTION - RECEPTION COUNTER VERTICAL COUNTER SUPPORT
1" = 1'-0"

S&E PROJECT NUMBER	01-615-057
BID PACKAGE / PHASING	BP-1
ISSUED FOR CONSTRUCTION	10/15/2019
Southern AE	
7951 Traxon Circle Austell, Ga 30168 (770) 819-7777	REVISIONS
architects & engineers	R # Doc # Date
ADD ALTERNATE #1 BOARD OF EDUCATION OFFICE FOR: HEARD COUNTY SCHOOLS 4647 PEA RIDGE ROAD, FRANKLIN, GA 30217 HEARD COUNTY SCHOOL SYSTEM FRANKLIN, GEORGIA	
MILLWORK DETAILS	
DRAWING NUMBER	
A502	