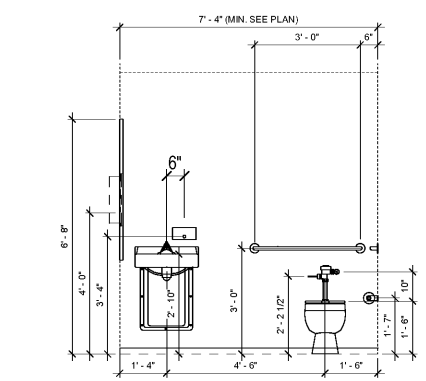


1 ENLARGED FLOOR PLAN - LEVEL 01 - WOMEN 116 & MEN 115
1/4" = 1'-0"

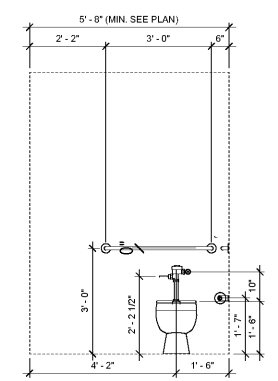
2 ENLARGED FLOOR PLAN - LEVEL 01 - TL.T. 103 & CLOS. 102
1/4" = 1'-0"

3 ENLARGED FLOOR PLAN - LEVEL 02 - WOMEN 205 & MEN 206
1/4" = 1'-0"

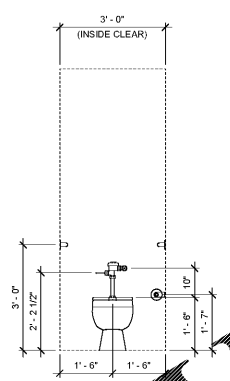
4 ENLARGED FLOOR PLAN - LEVEL 01 - COPY/COFFEE 127
1/4" = 1'-0"



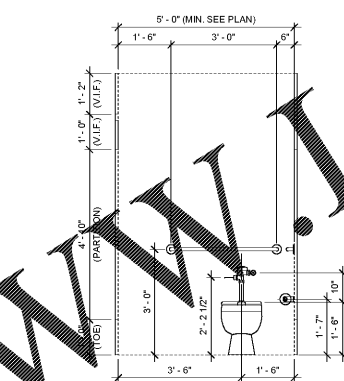
SINGLE - USE TOILET



CONCRETE BLOCK COMPARTMENTS -
WHEELCHAIR STALL



CONCRETE BLOCK COMPARTMENTS -
AMBULATORY STALL



PLASTIC TOILET COMPARTMENTS -
WHEELCHAIR STALL

5 DETAIL - TYPICAL TOILET STALL ELEVATIONS
1/2" = 1'-0"

ITEM	GRADE LEVEL										HC ACCESSIBILITY
	Pre-K	K	1	2	3	4	5	6	7	8-12/ Adult	
CHALK & TACKBOARDS	21"	24"	24"	25"	26"	27"	28"	29"	31"	33"	Bottom of board above finish floor
WORKING COUNTERS (d)	30"	30"	30"	30"	30"	30"	30"	30"	30"	34"	Installed height
COUNTER SINKS (d)	30"	30"	30"	30"	30"	30"	30"	30"	30"	34"	Installed rim mount height
HANGING RODS	36"	40"	40"	40"	40"	44"	44"	44"	44"	48"	Top of hang rod above finish floor
DRINKING FOUNTAINS	27" ^(a)	27" ^(a)	27" ^(a)	27" ^(a)	30"	30"	30"	30"	36" ^(b)	40" ^(b)	Typ. spout height/ H.C. spout height
WATER CLOSETS (a)	15" ^(b)	15" ^(b)	15" ^(b)	15" ^(b)	15" ^(b)	15"	15"	15"	15"	18"	Typ. seat height/ H.C. seat height
WATER CLOSET FLUSH CONTROLS (e)	21.5" ^(b)	21.5" ^(b)	21.5" ^(b)	21.5" ^(b)	21.5" ^(b)	21.5"	21.5"	21.5"	21.5"	26.5"	Typ. cl. flush cont./ H.C. cl. flush cont.
LAVATORIES (a)	24" ^(c)	24" ^(c)	25" ^(c)	25" ^(c)	28" ^(c)	28" ^(c)	28" ^(c)	28" ^(c)	31"	34"	Typ. rim height/ H.C. rim height
MIRRORS	5'-8" TOP	6'-0" TO TOP				6'-4" TO TOP				6'-8" TOP	Within maximum h.c. bottom edge height
URINALS	16" ^(d)	17" ^(d)						24" ^(d)	17"		Typ. rim height/ H.C. rim height
URINAL FLUSH CONTROLS	43" ^(d)	44" ^(d)				44"		51" ^(d)	44"		Typ. cl. flush cont./ H.C. cl. flush cont.
GRAB BARS TOILETS (c)	20" (1.25" dia)	25" (1.25" dia)				27" (1.25" dia)				36" (1.25" dia)	Centerline of bar above finish floor
TISSUE DISPENSER	14"	17"								19"	Centerline of disp. above finish floor
TOWEL DISPENSER	36"	40"				44"				48"	Centerline of slot above finish floor
SOAP DISPENSER	36"	40"								40"	Centerline of spout above finish floor
HAND DRYER	36"	40"				44"				48"	Centerline of button above finish floor
HAND RAILS	top rail (1.5" dia) @ 34" a.f.f. & extra rail (1.25" dia) @ 28" a.f.f.										Top of handrail above finish floor
FIRE EXTINGUISHER	bottom of cabinet @ 2'-8" a.f.f.										Installed height
ROOM SIGNAGE	60" aff to centerline										Mounted on wall @ latch side of door
SHOWER SEAT	12"	15"	15"	15"	15"	15"	15"	15"	15"	18"	Typ. seat height is also accessible
SHOWER CONTROLS	34"										Centerline control area a.f.f.

(a) All fixtures in single-use toilets mounted at h.c. rim height.
 (b) Requires shifting the rear grab bar to avoid conflicts with the flush valve.
 (c) Refer to details and elevations on drawings for grab bars at showers and bath tubs.
 (d) Refer also to woodwork details and elevations on drawings.
 (e) Refer also to plumbing specifications Section 15400.

Order Plans

SA&E PROJECT NUMBER	01-615-057
BID PACKAGE / PHASING	BP-1
ISSUED FOR CONSTRUCTION	10/15/2019
REVISIONS	
R #	Doc #
1	AD1
Date	11.4.2019

Southern AE
 7951 Tricon Circle
 Austell, Ga 30168
 (770) 519-7777
 architects & engineers

ADD ALTERNATE #1
 BOARD OF EDUCATION OFFICE FOR:
HEARD COUNTY SCHOOLS
 4647 PEA RIDGE ROAD, FRANKLIN, GA 30217
 HEARD COUNTY SCHOOL SYSTEM
 FRANKLIN, GEORGIA

ENLARGED PLANS	
DRAWING NUMBER	A401