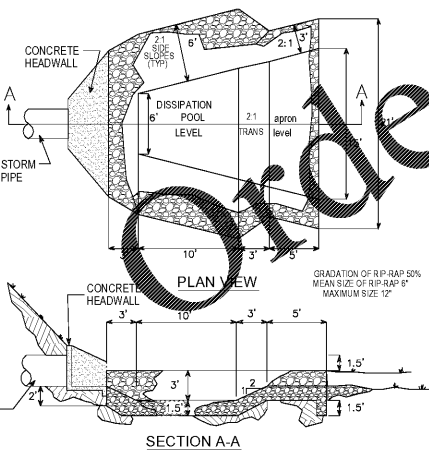
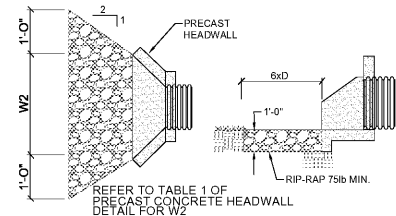


Sd4-C TEMPORARY SEDIMENT TRAP #1
NOT TO SCALE

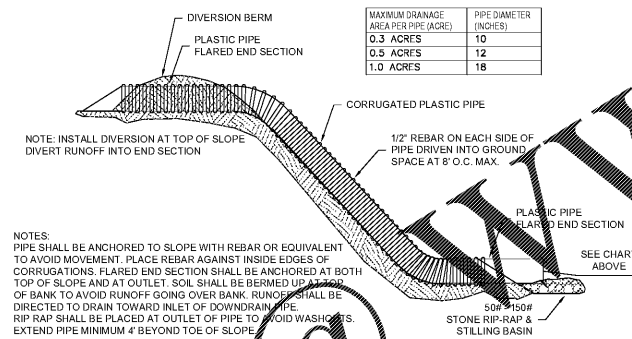
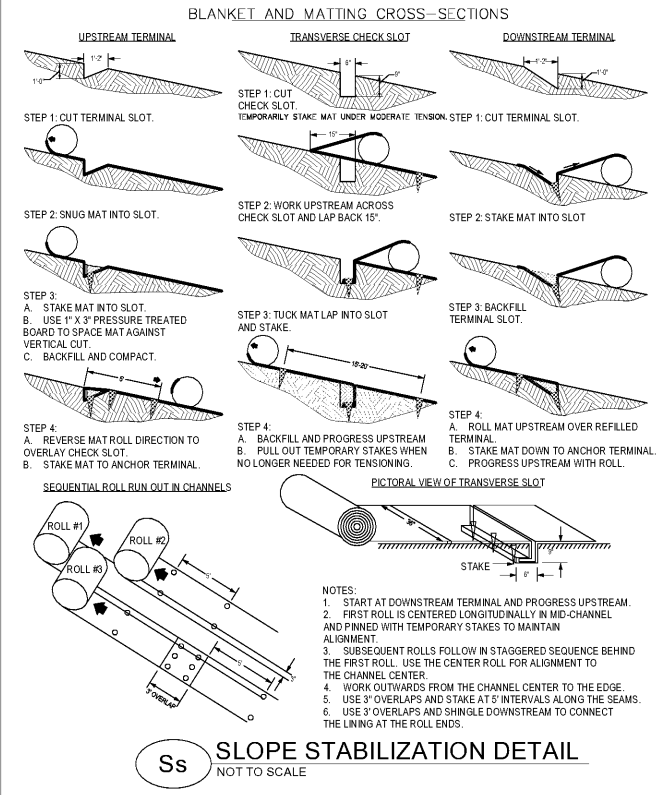
PHASE I SEDIMENT STORAGE DETAILS:

PHASE 1 DISTURBED AREA & SEDIMENT STORAGE REQUIREMENTS

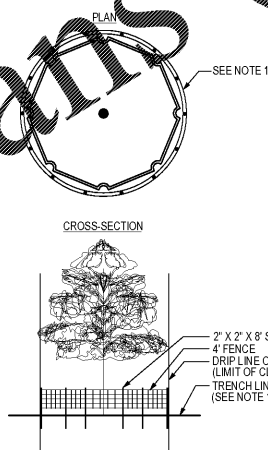
REQUIREMENTS: 2.10 ACRES X 67 = 140 CUBIC YARDS	
DISTURBED AREA TRAP #1: 1.20 AC	PROVIDED: 80 CY
DISTURBED AREA TRAP #2: 0.90 AC	PROVIDED: 60 CY
TOTAL	2.10 AC 140 CY



Sb STILLING BASIN
NOT TO SCALE



Dn1 DOWNDRAIN STRUCTURE
NOT TO SCALE



Tr TREE PROTECTION DETAIL
NOT TO SCALE

SA&E PROJECT NUMBER	01-615-057
BID PACKAGE/PHASING	BP-1
ISSUED FOR CONSTRUCTION	10/15/2019
REVISIONS	
R #	Doc #
Date	

Southern A&E
7951 Troon Circle
Austell, Ga 30168
(770) 819-7777
I.L.C.
architects & engineers

© COPYRIGHT 2019 BY SOUTHERN A&E LLC. ALL RIGHTS RESERVED.
THIS DOCUMENT IS THE PROPERTY OF SOUTHERN A&E LLC AND SHALL NOT BE REPRODUCED OR REPRODUCED IN WHOLE OR IN PART WITHOUT EXPRESS WRITTEN CONSENT FROM SOUTHERN A&E LLC.

ADD ALTERNATE #1
BOARD OF EDUCATION OFFICE FOR:
HEARD COUNTY SCHOOL
4647 PEA RIDGE ROAD, FRANKLIN, GA 30127
HEARD COUNTY SCHOOL SYSTEM
FRANKLIN, GEORGIA

CONSTRUCTION DETAILS	
DRAWING NUMBER	C505

