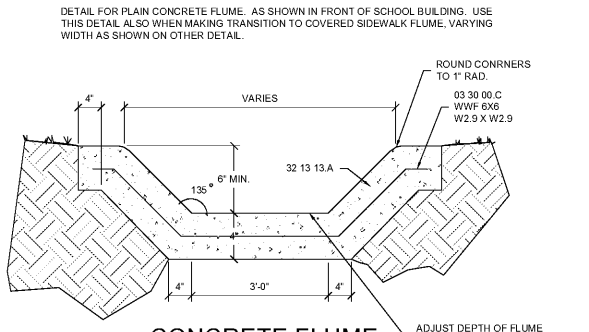
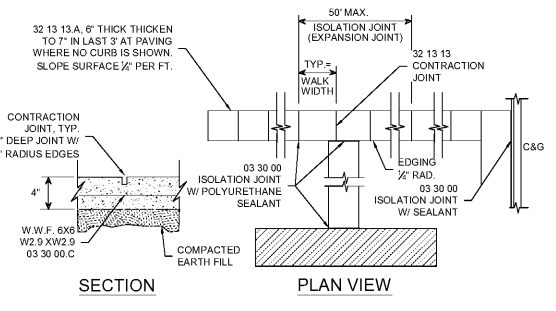


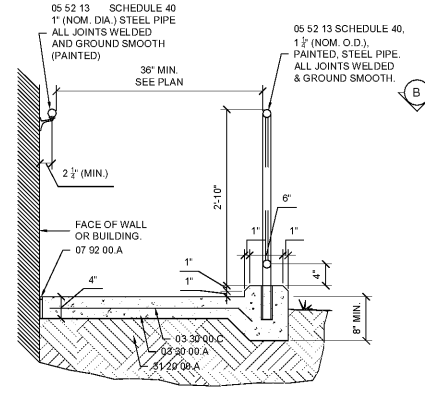
**BACKFILLING UTILITY CUTS & PAVEMENT REPLACEMENT**  
NOT TO SCALE



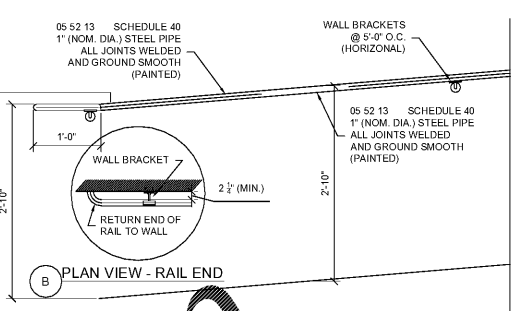
**CONCRETE FLUME**  
NOT TO SCALE



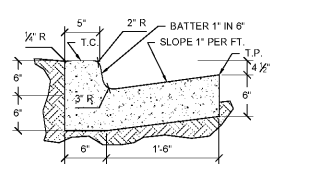
**CONCRETE SIDEWALK DETAIL**  
NOT TO SCALE



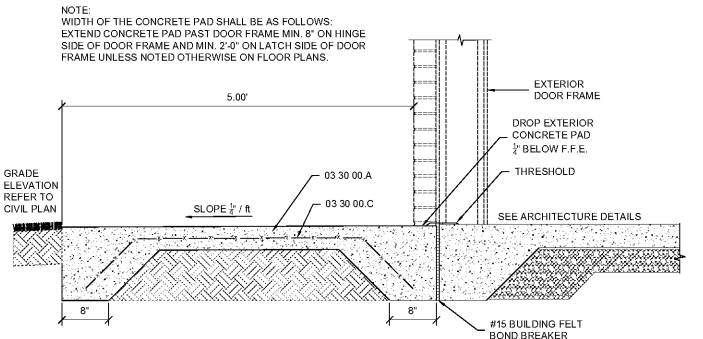
**TYPICAL RAMP SECTION AT WALL**  
NOT TO SCALE



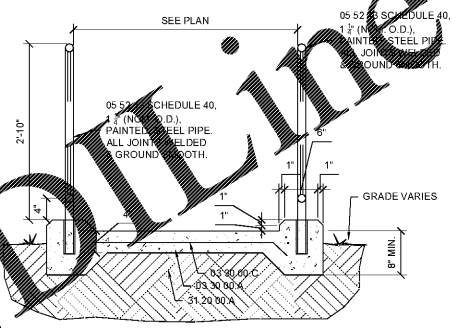
**TYPICAL HANDRAIL SECTION AT WALL**  
NOT TO SCALE



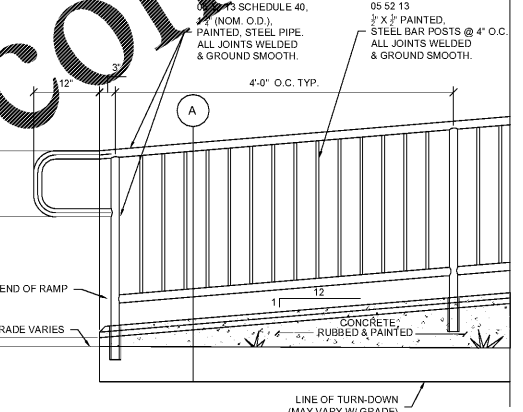
**STANDARD CURB & GUTTER**  
NOT TO SCALE



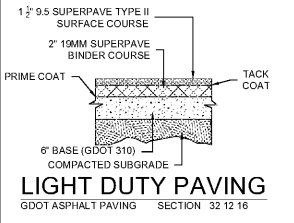
**TYPICAL CONCRETE PAD AT EXTERIOR DOOR**  
NOT TO SCALE



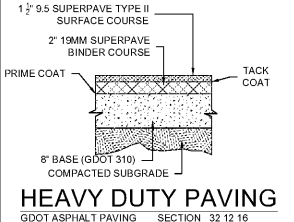
**TYPICAL RAMP SECTION**  
NOT TO SCALE



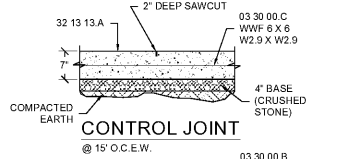
**TYPICAL HANDRAIL ELEVATION**  
NOT TO SCALE



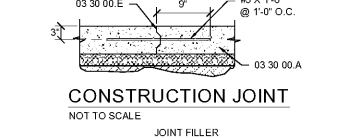
**LIGHT DUTY PAVING**  
SECTION 32 12 16



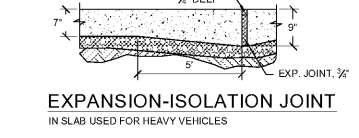
**HEAVY DUTY PAVING**  
SECTION 32 12 16



**CONTROL JOINT**  
NOT TO SCALE

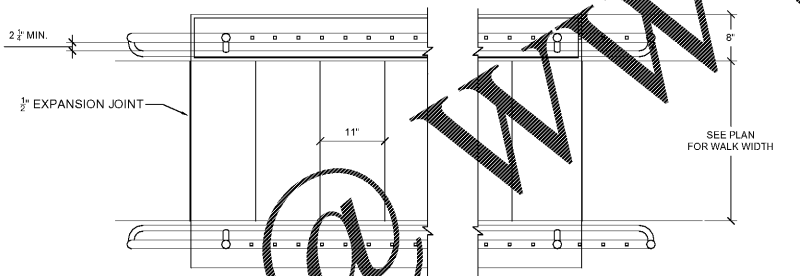


**CONSTRUCTION JOINT**  
NOT TO SCALE

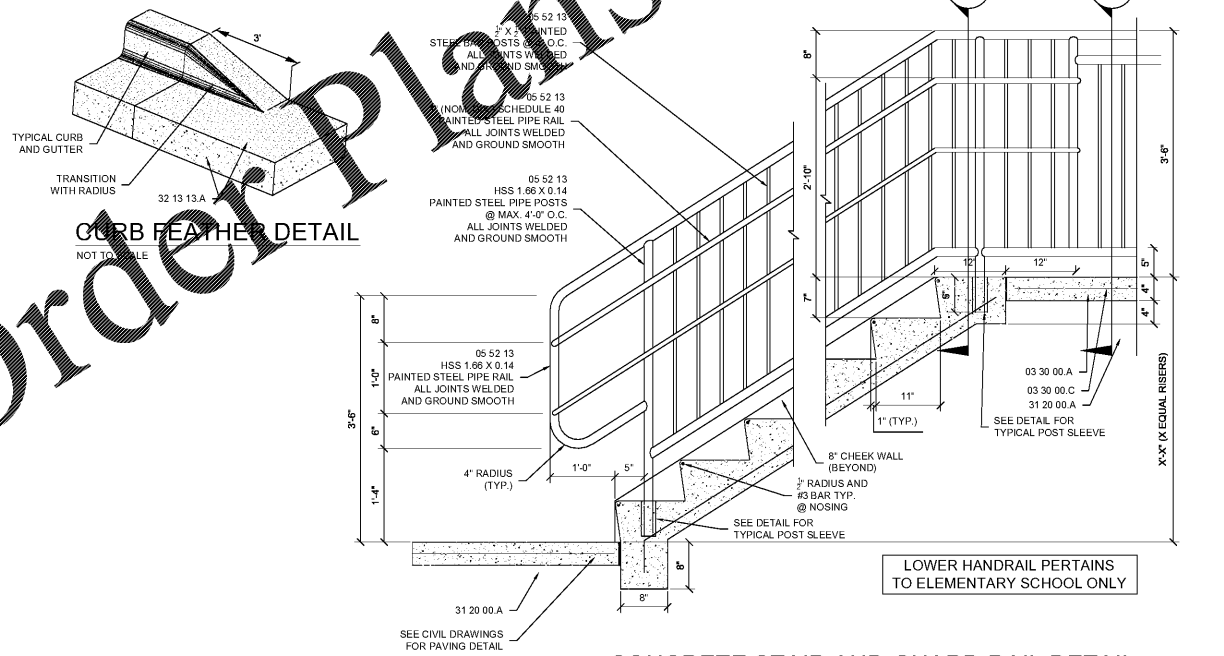


**EXPANSION-ISOLATION JOINT**  
IN SLAB USED FOR HEAVY VEHICLES

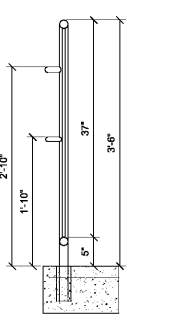
**CONCRETE PAVING**  
NOT TO SCALE



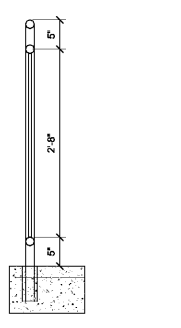
**STAIR - PLAN VIEW**  
NOT TO SCALE



**CONCRETE STAIR AND GUARD RAIL DETAIL**  
NOT TO SCALE



**SECTION A**  
HANDRAIL



**SECTION B**  
GUARD RAIL

*Order Plans @ WWW.LDILLING.COM*

SA&E PROJECT NUMBER	01-615-057
BID PACKAGE/PHASING	BP-1
ISSUED FOR CONSTRUCTION	10/15/2019
<b>Southern A&amp;E</b> 7951 Troon Circle Austell, Ga 30168 (770) 419-7777 architects & engineers	
REVISIONS	Date
R #	Doc #

ADD ALTERNATE #1  
**BOARD OF EDUCATION OFFICE FOR:**  
**HEARD COUNTY SCHOOL**  
 4647 PEA RIDGE ROAD, FRANKLIN, GA 30127  
**HEARD COUNTY SCHOOL SYSTEM**  
 FRANKLIN, GEORGIA

CONSTRUCTION DETAILS	
	DRAWING NUMBER
	C502