

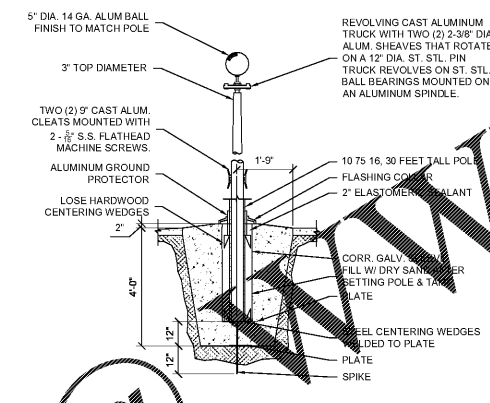
TABLE 1
HEADWALL DIMENSIONS FOR METAL PIPE *

INSIDE DIA. OF PIPE	W1	W2	W3	W4	NO. OF BLOCKS	NO. OF WALLS	H1	H2	D	E	WT.
18"	3'-2"	4'-3"	6"	6"	1	1	12"x12"x24"	1'-3"	3'-2"	1'-3"	1,350
24"	3'-2"	5'-3"	6"	6"	3	3	12"x12"x24"	1'-9"	3'-8"	1'-9"	2,100
30"	4'-2"	6'-2"	6"	6"	3	3	12"x12"x24"	2'-0"	4'-2"	2'-0"	2,850
36"	4'-8"	7'-2"	6"	6"	3	3	12"x12"x24"	2'-4"	4'-8"	2'-4"	3,700
42"	5'-8"	10'-2"	6"	6"	5	5	12"x12"x24"	3'-3"	5'-8"	3'-3"	5,630
54"	6'-8"	11'-11"	6"	6"	6	6	12"x12"x24"	3'-9"	6'-8"	3'-9"	7,500

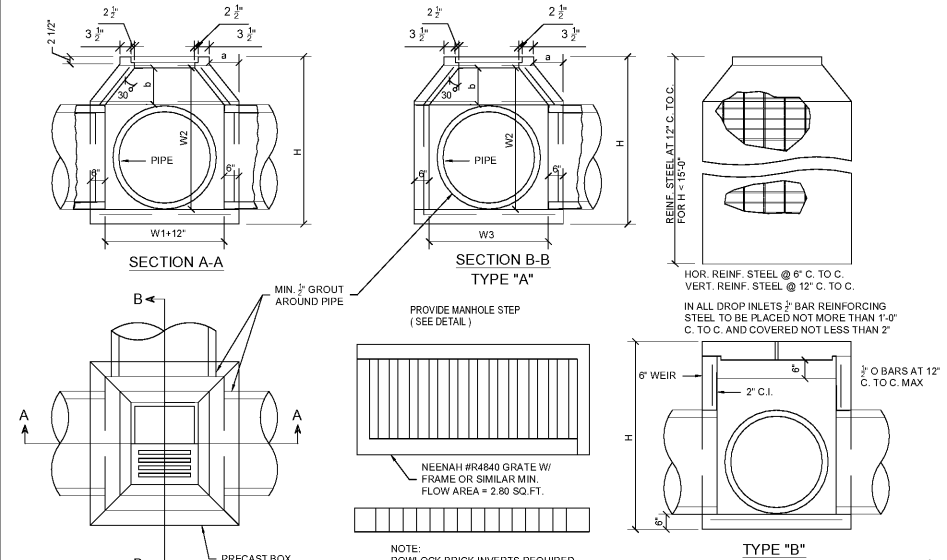
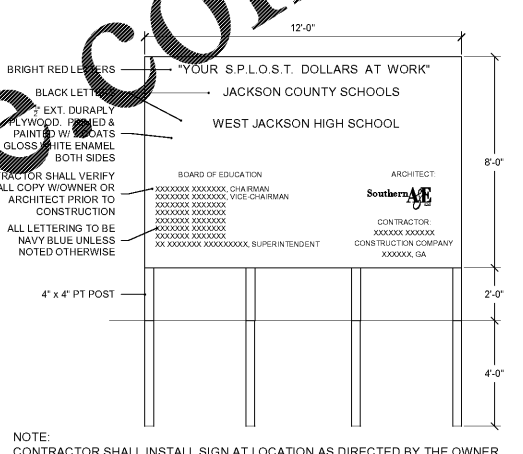
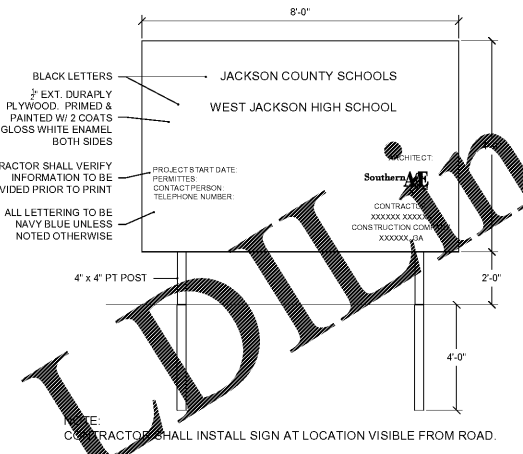
* USE NEXT LARGER SIZE FOR CONCRETE PIPE

NOTE:
1. CONCRETE SHALL BE 4,000 P.S.I. 28 DAY STR.
PRECAST ENERGY DISSIPATING HEADWALL
NOT TO SCALE

GRATE INLET GA DOT 1019 A TYPE E
NOT TO SCALE



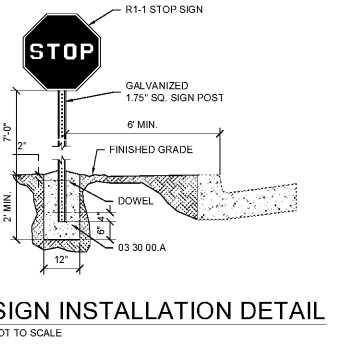
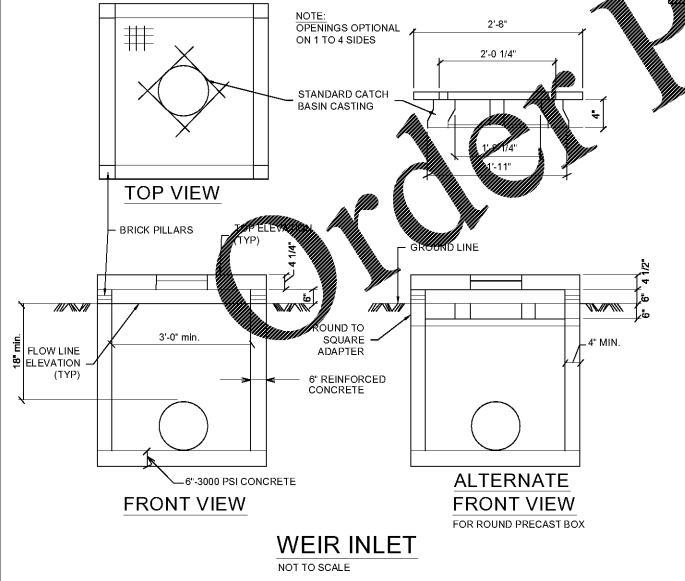
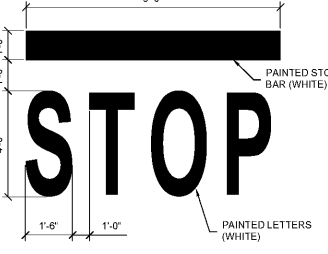
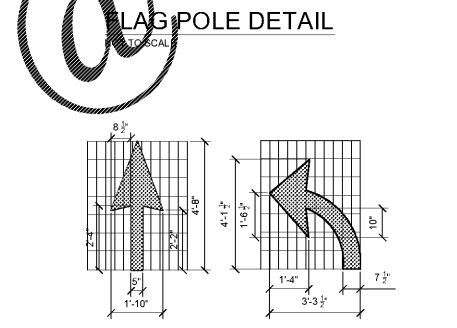
CONTRACTOR IS RESPONSIBLE FOR PROPER LOCATION OF STORM SEWER STRUCTURE SO THAT THE CURB & GUTTER IS IN LINE WITH THE HOOD. COORDINATE LOCATION OF STRUCTURE WITH SUPPLIER OF GRATE, HOOD & FRAME.



GRATE INLET & DROP INLET
NOT TO SCALE

Table of minimum dimensions for drop inlets & junction boxes

d	W1	W2	W3	a	b
18"	2'-0"	3'-0"	2'-0"	1'-0"	3'-11"
24"	2'-8"	3'-8"	2'-0"	1'-0"	4'-6"
30"	3'-4"	4'-9"	3'-0"	1'-0"	5'-1"
3'-10"	5'-0"	7'-0"	3'-0"	1'-0"	7'-10"
42"	4'-5"	6'-0"	3'-0"	1'-0"	7'-11"
48"	5'-0"	7'-0"	3'-0"	1'-0"	8'-2"
54"	5'-6"	7'-0"	3'-0"	1'-0"	8'-2"
60"	6'-0"	10'-0"	3'-0"	1'-0"	10'-0"
66"	6'-0"	10'-0"	3'-0"	1'-0"	11'-1"



SA&E PROJECT NUMBER	01-615-057
BID PACKAGE/PHASING	BP-1
ISSUED FOR CONSTRUCTION	10/15/2019
REVISIONS	
R #	Doc #
Date	

ADD ALTERNATE #1
**BOARD OF EDUCATION OFFICE FOR:
HEARD COUNTY SCHOOL**
4647 PEA RIDGE ROAD, FRANKLIN, GA 30127
HEARD COUNTY SCHOOL SYSTEM
FRANKLIN, GEORGIA

CONSTRUCTION DETAILS

DRAWING NUMBER
C501