



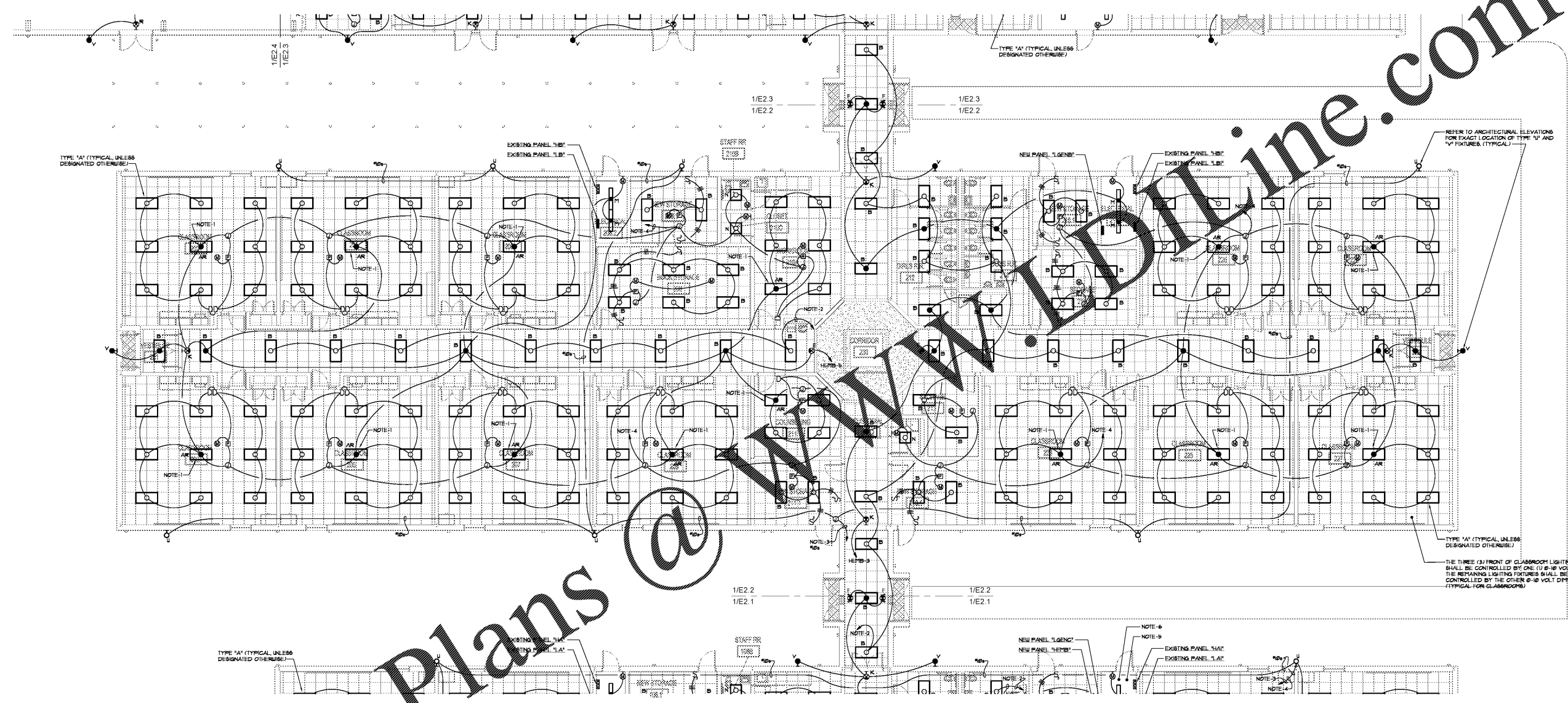
NO.	DESCRIPTION	DATE

**DUNLEITH ELEMENTARY SCHOOL
RENOVATIONS & MODIFICATIONS**
120 SAINTE DR. SW
MARIETTA, GA 30008
MARIETTA CITY SCHOOLS

**FLOOR PLAN -
BLDG. 200 -
LIGHTING**

DATE 08/30/2019
PROJECT NO. 18122

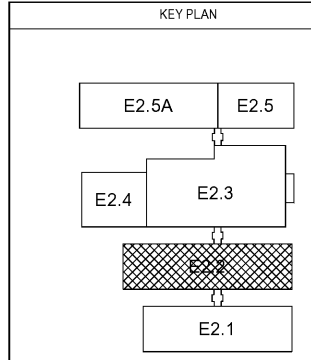
E2.2



1 FLOOR PLAN - BLDG 200 - LIGHTING
SCALE: 1/8" = 1'-0"

- NOTES:**
- WALL MOUNTED ELECTRICAL DEVICES SHALL NOT BE INSTALLED BACK-TO-BACK.
 - EACH UNIT SHALL HAVE A DEDICATED NEUTRAL. SHARING OF NEUTRALS IS NOT ALLOWED.
 - ALL LISTED FIRE RATED PUTTY PADS SHALL BE INSTALLED ON ALL JUNCTION BOXES INSTALLED IN RATED WALLS.
 - INSTALL BLANK STAINLESS STEEL COVERPLATES OVER ANY UNUSED LIGHT SWITCH JUNCTION BOXES.

- ELECTRICAL NOTES**
1. DURING NORMAL CONDITIONS EMERGENCY FIXTURE SHALL BE DIMMED WITH OTHER FIXTURES IN THE ROOM. DURING AN OUTAGE FIXTURE SHALL BE CONNECTED TO EMERGENCY CIRCUIT, VIA RELAY, AND OPERATE AT FULL BRIGHTNESS.
 2. ROUTE CIRCUIT THRU INTERIOR LIGHTING CONTACTOR LOCATED ADJACENT TO PANEL '1A1'. EXTEND AND CONNECT TO AN EXISTING 20A/1P BREAKER IN EXISTING PANEL '1A1'. UPDATE PANEL DIRECTORY.
 3. ROUTE CIRCUIT THRU EXTERIOR LIGHTING CONTACTOR LOCATED ADJACENT TO PANEL '1A1'. EXTEND AND CONNECT TO AN EXISTING 20A/1P BREAKER IN EXISTING PANEL '1A1'. UPDATE PANEL DIRECTORY.
 4. EXTEND AND CONNECT TO AN EXISTING 20A/1P BREAKER IN EXISTING 211480 VOLT LIGHTING PANEL. PROPERLY UPDATE PANEL DIRECTORY.



Order Plans @