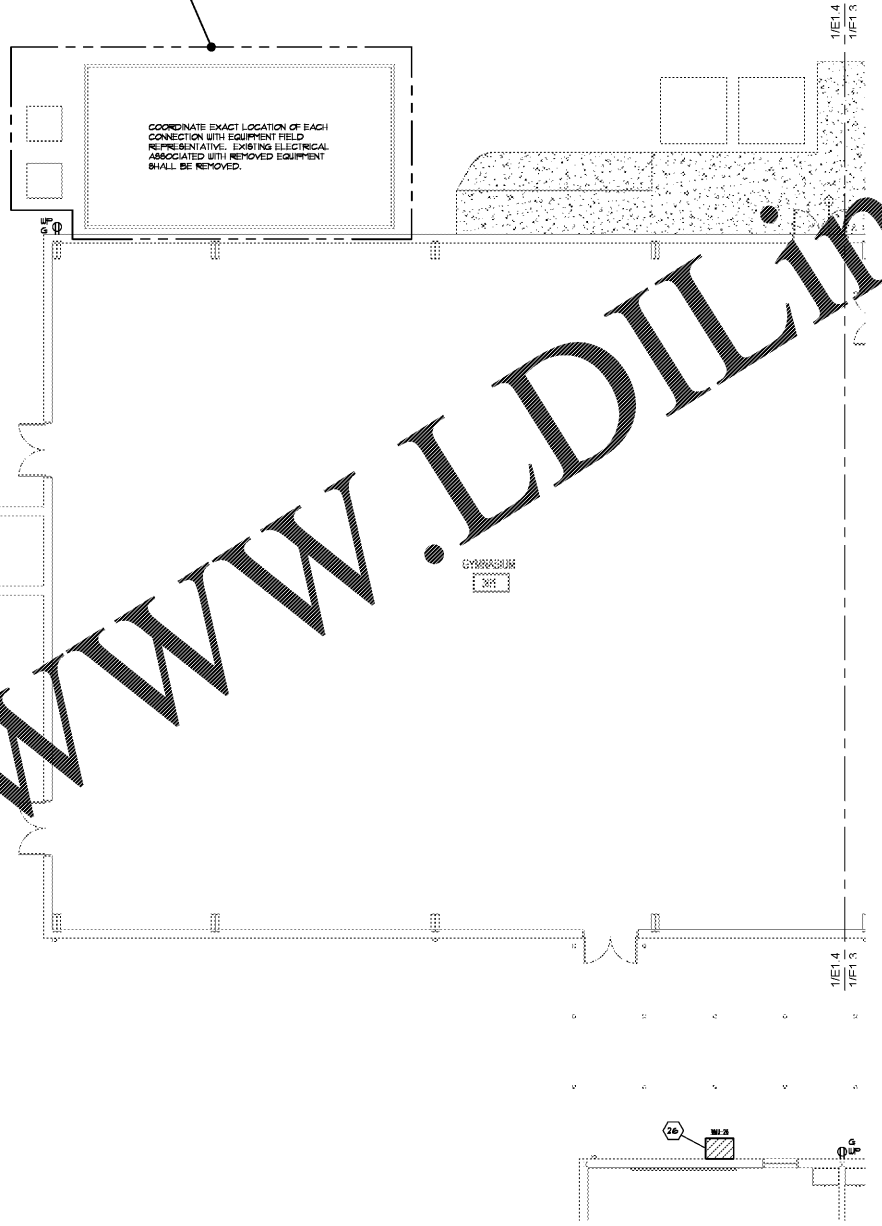


COOLER/FREEZER EQUIPMENT ELECTRICAL CONNECTION SCHEDULE									
DESCRIPTION	EQUIPMENT CHARACTERISTICS				CIRCUIT	FEEDER	CONNECTION	MOUNTING HEIGHT	REMARKS
	VOLTS	PH	KVA	HP					
FREEZER ASSEMBLY	208	1	1.0	--	--	LGNA-3 30A/2P	2"Ø 4" HS GROUND - 3/4"Ø	HARD WIRED	---
FREEZER EVAPORATOR	208	1	--	--	8.2	LGNA-143P 30A/2P	2"Ø 4" HS GROUND - 3/4"Ø	HARD WIRED	---
FREEZER CONDENSING	208	3	--	--	26.4	LGNA-30222 40A/3P	3/8"Ø 4" HS GROUND - 3/4"Ø	60A/3P/4P	---
FREEZER RELIEF VALVE	208	1	1.0	--	--	LGNA-24 20A/2P	2"Ø 4" HS GROUND - 3/4"Ø	HARD WIRED	---
COOLER ASSEMBLY	208	1	1.0	--	--	LGNA-21 20A/2P	2"Ø 4" HS GROUND - 3/4"Ø	HARD WIRED	---
COOLER EVAPORATOR	208	1	--	--	2.0	LGNA-23 20A/2P	2"Ø 4" HS GROUND - 3/4"Ø	HARD WIRED	---
COOLER CONDENSING	208	3	--	--	10.0	LGNA-30230 30A/3P	3/8"Ø 4" HS GROUND - 3/4"Ø	30A/3P/4P	---



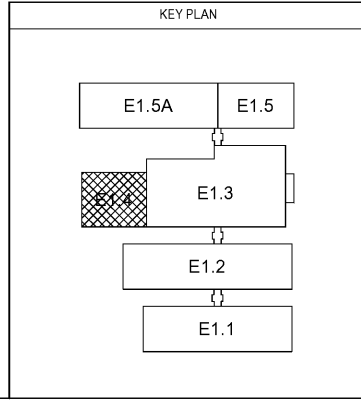
**1**  
**E1.4** PARTIAL FLOOR PLAN - BLDG 300 (GYM) - POWER  
SCALE: 1/8" = 1'-0"



**MATHIS & ROBERTS**  
CONSULTING ENGINEERS  
244 ODELL ROAD, SUITE 6  
DUBLIN, GEORGIA 31006  
(770) 992-5845  
JRM  
3019-002

NO	DESCRIPTION	DATE

**DUNLEITH ELEMENTARY SCHOOL  
RENOVATIONS & MODIFICATIONS**  
120 SAINTE DR. SW  
MARIETTA, GA 30008  
**MARIETTA CITY SCHOOLS**



PARTIAL FLOOR PLAN - BLDG. 300 GYM - POWER  
DATE 08/30/2019  
PROJECT NO. 18122  
**E1.4**

Order Plans @ [www.LDILine.com](http://www.LDILine.com)

Dunleith Elem School - Renovations