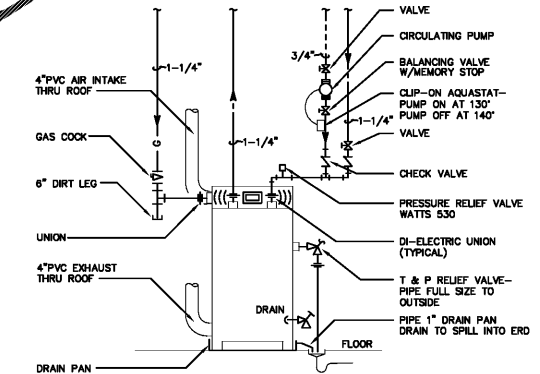
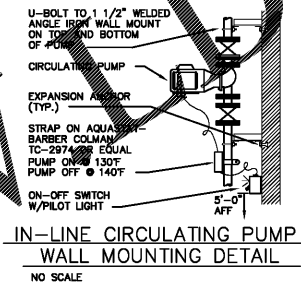
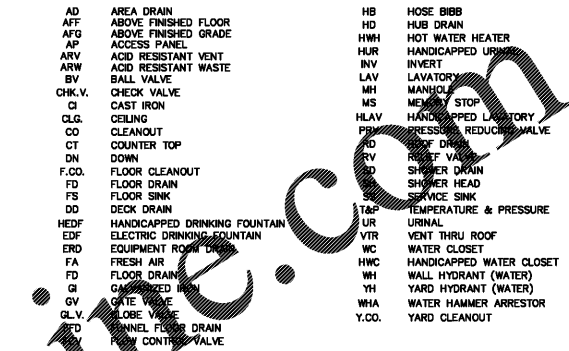
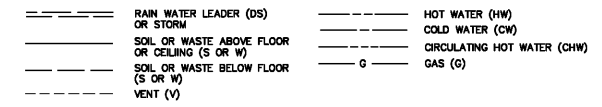


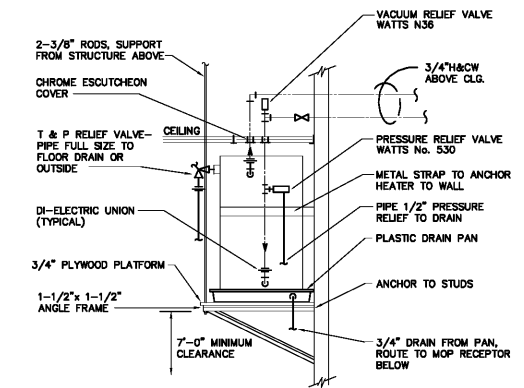
Order Plans @ www.dipline.com

PLUMBING FIXTURE SCHEDULE						
MARK	DESCRIPTION	CONNECTIONS			RIM HEIGHT	REMARKS
		CW	HW	S/W		
WC	WATER CLOSET—REGULAR FLUSH VALVE	1"	—	4"	—	
HWC	WATER CLOSET—HANDICAPPED REGULAR FLUSH VALVE	1"	—	4"	—	
UR	URNAL—REGULAR FLUSH VALVE	3/4"	—	2"	—	
HUR	URNAL—HANDICAPPED REGULAR FLUSH VALVE	3/4"	—	2"	—	
LAV	LAVATORY—WALL HUNG	1/2"	—	1-1/4"	—	
HLAV	LAVATORY—HANDICAPPED WALL HUNG	1/2"	—	1-1/4"	—	
HLAV-1	LAVATORY—HANDICAPPED WALL HUNG	1/2"	1/2"	1-1/4"	—	
SK-1	STAINLESS STEEL—COUNTERTOP SINK	1/2"	—	1-1/2"	COORDINATE INSTALLATION W/ ARCH. COUNTER DETAIL	CLASSROOMS
SK-2	STAINLESS STEEL—COUNTERTOP SINK	1/2"	1/2"	1-1/2"	COORDINATE INSTALLATION W/ ARCH. COUNTER DETAIL	
SK-3	STAINLESS STEEL—COUNTERTOP DOUBLE COMPARTMENT SINK	1/2"	1/2"	1-1/2"	COORDINATE INSTALLATION W/ ARCH. COUNTER DETAIL	ART CLASSROOM
EDF	ELECTRIC DRINKING FOUNTAIN WALL HUNG	1/2"	—	1-1/4"	36" TO TOP OF SPOUT	
HEDF	ELECTRIC DRINKING FOUNTAIN WALL HUNG—HANDICAPPED	1/2"	—	1-1/4"	30" MAX SPOUT HEIGHT 24" TO BOT. OF APRON	
MS	MOP RECEPTOR—FLOOR MOUNTED	1/2"	1/2"	3"	8" MINIMUM	FAUCET 48" AFF
SS	SERVICE SINK	1/2"	1/2"	1-1/4"	28"	

SYMBOLS & ABBREVIATIONS

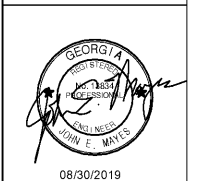


GAS WATER HEATER DETAIL (HWH-1)
NO SCALE



ELECTRIC WATER HEATER DETAIL
NO SCALE

BXA
Breaux & Associates
 ARCHITECTS
 5565 Shiloh Road East, Suite 200
 Alpharetta, Georgia 30005 | (678) 585-4526



BRA
MECHANICAL ENGINEERS INC
 500 Bridge Street
 Suite 103
 Marietta, GA 30066
 (770) 576-1100

NO.	REVISION	DATE

DUNLEITH ELEMENTARY SCHOOL RENOVATIONS & MODIFICATIONS
 120 SAINE DR. SW
 MARIETTA, GA 30008
MARIETTA CITY SCHOOLS

PLUMBING LEGEND, SCHEDULE & DETAILS
 DATE: 08/30/2019
 PROJECT NO.: 18122