

1. IT IS THE INTENT OF THESE SPECIFICATIONS TO PROVIDE A COMPLETE INSTALLATION FOR FINISHED WORK, TESTED AND READY FOR OPERATION. THE WORK THROUGHOUT SHALL BE EXECUTED IN THE BEST AND MOST THOROUGH MANNER UNDER THE DIRECTION OF AND TO THE SATISFACTION OF THE OWNER.

2. ALL MATERIALS REQUIRED FOR THIS WORK SHALL BE NEW UNLESS, BEST OF ITS RESPECTIVE KINDS AND FREE FROM DEFECTS AND OF FIRST CLASS QUALITY. BASIS OF QUALITY SHALL BE LATEST STANDARDS OF ASTM, ANSI, FEDERAL SPECIFICATIONS OR OTHER ACCEPTABLE STANDARDS.

3. THE PLUMBING CONTRACTOR SHALL BE RESPONSIBLE FOR THEIR WORK UNTIL ITS COMPLETION AND FINAL ACCEPTANCE AND SHALL REPLACE ANY OF THE SAME WHICH MAY BE DAMAGED, LOST OR STOLEN WITHOUT ADDITIONAL COST TO THE OWNER.

4. THE PLUMBING CONTRACTOR SHALL GUARANTEE ALL WORK PERFORMED AND MATERIALS INSTALLED TO BE FREE FROM INHERENT DEFECTS AND SHALL KEEP IN REPAIR AND REPLACE ANY DEFECTIVE MATERIALS OF WORKMANSHIP FREE OF COST TO THE TENANT (OWNER) FOR A PERIOD OF ONE (1) YEAR AFTER THE OPENING FOR BUSINESS.

5. ALL WORK SHALL BE DONE ACCORDING TO THE REQUIREMENTS OF ALL APPLICABLE CODES AND LEGAL CRITERIA (IF APPLICABLE) AND SHALL RECEIVE THE APPROVAL OF ALL AUTHORITIES HAVING JURISDICTION. PREPARE ALL REQUIRED DOCUMENTS, DRAWINGS AND PERFORM ALL REQUIRED TESTS AND PAY ALL REQUIRED CHARGES TO OBTAIN THESE APPROVALS.

6. CONTRACTOR SHALL BE HELD TO HAVE EXAMINED THE SITE FOR THE WORK BEFORE HASING SUBMITTED A PROPOSAL. NO ADDITIONAL COMPENSATION WILL BE ALLOWED FOR CONDITIONS FOUND DURING THE COURSE OF THE CONTRACT.

7. THIS CONTRACTOR MUST PROVIDE LANDLORD'S CONSTRUCTION REPRESENTATIVE WITH COPIES OF REQUIRED INSURANCE AND COPIES TO BE FURNISHED TO THE OWNER BEFORE COMMENCING WORK.

8. SUBMIT THREE (3) SETS OF SHOP DRAWINGS IDENTIFIED WITH PROJECT NAME OF THE FOLLOWING: (1) ELECTRIC HOT WATER HEATER OR HEATER/COIL (2) PLUMBING FIXTURES AND TRIM. CONTRACTOR SHALL SUBMIT SHOP DRAWING OF PIPING LAYOUT TO THE OWNER FOR THEIR FILE.

9. THE PLUMBING SUBCONTRACTOR IS A SUBCONTRACTOR OF THE TENANT'S GENERAL CONTRACTOR.

10. NOTCHING AND BORING OF STRUCTURAL STEEL MEMBERS IS NOT PERMITTED, WHEN HANGING FROM STRUCTURAL STEEL. ONLY HANG FROM TOP FLANGES OF BEAMS AND TOP CHORDS ONLY AT PANEL POINTS OF TRUSSES.

I. WORK RESPONSIBILITY

1. FURNISH ALL LABOR, MATERIALS, EQUIPMENT AND CONTRACTORS FOR A COMPLETE, SAFE INSTALLATION OF PLUMBING WORK, IN FULL CONFORMANCE WITH REQUIREMENTS OF ALL AUTHORITIES HAVING JURISDICTION AS INDICATED ON DRAWINGS AND/OR HEREIN SPECIFIED, INCLUDING IN GENERAL, THE FOLLOWING:

2. SANITARY DRAINAGE CONNECTIONS TO PLUMBING FIXTURES AND EQUIPMENT REQUIRING SAME WITH FINAL CONNECTIONS TO EXISTING PREINSTALLED OUTLETS PROVIDED BY PRIOR TENANTS) OR LANDLORD. PLUMBER SHALL VERIFY EXACT LOCATION OF WASTE PIPE OUTLET BEFORE SUBMITTING BID AND NOTIFY THE ARCHITECT OF ANY LOCATION DISCREPANCIES. PLUMBING CONTRACTOR SHALL BE RESPONSIBLE FOR ANY CONCRETE SANKTINGS REQUIRED TO MAKE THE FINAL CONNECTION TO THE EXISTING WASTE PIPING OR CAPSED OUTLETS. SANKTINGS EXCAVATING, BACKFILLING AND NEW CONCRETE MUST MEET WITH THE LANDLORD'S APPROVAL.

A. MAKE SANITARY FOR A DISTANCE OF 100 FEET; H&R REPORT ANY BLOCKAGE.
B. TEST WATER PRESSURE TO INSURE MINIMUM OF 50 PSI.

3. COMPLETE VENT SYSTEM. ALL FIXTURES INDIVIDUALLY VENTED WITH FINAL CONNECTION THROUGH ROOF OR TO EXISTING LANDLORD SUPPLIED COMMON VENT, AS REQUIRED. ROOF PENETRATIONS TO BE PERFORMED BY LANDLORD APPROVED CONTRACTOR. IF APPLICABLE, COST OF ROOF PENETRATION AND FLASHING TO BE PART OF THIS CONTRACT (BY T.S.C.), UNLESS NOTED OTHERWISE IN BID PROPOSAL (IF APPLICABLE).

4. DOMESTIC WATER SUPPLY SYSTEM INCLUDING CONNECTION TO EXISTING CAPPED OUTLET AND FINAL CONNECTIONS TO PLUMBING FIXTURES AND EQUIPMENT REQUIRING SAME. VERIFY EXACT LOCATION AND SIZE BEFORE SUBMITTING BID.

5. INSULATION OF ALL HOT AND COLD WATER PIPING, INCLUDING UNDER LAVATORY A.D.A. PIPE WRAPPINGS.

6. FURNISH AND INSTALL WATER METER (IF APPLICABLE) ACCESSIBLE TO UTILITY COMPANY OR LANDLORD'S REPRESENTATIVE FOR MONITORING WATER, BUT METER SHOULD IN NO WAY BE IN THE PATH OF THE ADA-COMPLIANT 36" CIRCULAR PATTERNS.

7. COSTS FOR WORKING BELOW TENANT'S SLAB IN ANOTHER TENANT'S SPACE.

8. INSTALLATION OF FLOOR DRAIN BACKFLOW PREVENTER (IF REG. BY CODE) PER LANDLORD REQUIREMENT AND LOCAL CODE. COORDINATE ALL LOCATIONS WITH OPERATIONS MANAGER.

II. GENERAL NOTES

1. SLEEVES: PROVIDE #2 GAGE GALVANIZED IRON PIPE SLEEVES FOR PIPING THROUGH WALLS AND FLOOR. PACK WITH NON-ASEBESTOS ROPE AND FILL WITH EXPANDO NON-SHRINKING CEMENT.

2. ESCUTCHEONS: PROVIDE EXPOSED PIPING, BOTH BARE AND COVERED, WITH CP CAST BRASS ESCUTCHEONS WHERE PASSING THROUGH FLOORS, CEILINGS, WALLS OR PARTITIONS.

3. HANGERS AND SUPPORTS: SUPPORT HORIZONTAL DRAINAGE PIPING AT LEAST EVERY 5 FEET OR AT EVERY H/2, COPPER TUBING EVERY 1 FEET AND STEEL PIPE EVERY 10 FEET WITH "OLEVIB" HANGERS AND INSULATION PROTECTION SHIELDS. PIPING SHALL NOT BE SUPPORTED FROM BRIDGES OR OTHER PIPING, ONLY SUPPORT FROM TOP FLANGES OF BEAMS AND TOP CHORDS AT PANELS OF JOIST AND TRUSSES. PROVIDE SHAT AND SEISMIC BRACING WHERE REQUIRED BY CODE AND PER LOCAL ORDINANCES.

4. TEST: TEST PIPING AND PROVE TIGHT FOR AT LEAST 24 HOURS IN ACCORDANCE WITH REQUIREMENTS OF AUTHORITIES HAVING JURISDICTION AND/OR AS SPECIFIED. TEST SHALL BE PERFORMED IN THE PRESENCE OF OWNER'S REPRESENTATIVE AND LOCAL INSPECTOR. TEST SHALL BE REPEATED IF NECESSARY UNTIL FINAL APPROVAL OF SYSTEM IS OBTAINED.
A. TEST DRAINAGE AND VENT PIPING BY FILLING WITH WATER TO OVERFLOWING AT ROOF WATER LEVEL TO REMAIN.
B. TEST WATER PIPING WITH WATER 1 1/2 TIMES THE WORKING PRESSURE.

4. ALLOCATE THE TIME AND MATERIALS REQUIRED TO VERIFY EXISTING CONDITIONS AND SCOPE (IE. LANDLORD/TENANT PROVIDED). PRIOR TO BID, SUBMIT AN RFI, IN WRITING TO THE ARCHITECT DETAILING ANY DISCREPANCIES WHICH MAY AFFECT THE WORK AND THE CONTRACTORS' ABILITY TO PROVIDE A COMPLETE PLUMBING SYSTEM. FAILURE TO DO SO SHALL NOT RESULT IN ANY ADDITIONAL EXPENSE TO THE LANDLORD AND/OR TENANT.

III. MATERIALS

1. DRAINAGE AND VENT PIPING: EXTRA HEAVY HD AND SFRIGOT CAST IRON S.O.P. WITH RUBBER GASKETS CONFORMING TO ASTM C204. (OR APPROVED EQUAL PER LOCAL AND STATE BUILDING CODES.) NCH&S CAST IRON TO HAVE HEAVY DUTY. TYPE 304 STAINLESS STEEL COUPLINGS CONFORMING TO ASTM A 886, TYPE 304 STAINLESS STEEL SHIELD, TYPE 304 STAINLESS STEEL BANDS AND 68 BELTS.

2. WATER PIPING BELOW SLAB: TYPE K HARD COPPER TUBING WITH CAST BRONZE OR INCOURIT COPPER SOLDER JOINT FITTINGS USING 98-3 SOLDER. WATER PIPING ABOVE SLAB: TYPE I HARD COPPER TUBING USING SILVER SOLDER. ALL WATER SUPPLY PIPING TO CONFORM TO NSF/ANSI #1 AND ASTM B 75, ASTM B 88, ASTM B 226, OR ASTM B 441. ALL PIPE FITTINGS SHALL CONFORM TO ASSE 1061, ASME B 16.3, ASME B 16.21, ASME B 16.22, ASME B 16.23, ASME B 16.24, AND ASME B 16.24.

3. WATER HAMMER ARRESTERS: PROVIDE ON HOT AND COLD WATER BRANCHES TO FIXTURES. USE 8" SWHT HYDROTEK MODEL 5030 FOR UP TO 60 FIXTURE UNITS. WATER HAMMER ARRESTERS SHALL CONFORM TO ASSE 1010.

4. VALVES: GATE VALVE HATTS SERIES B-3000, CHECK VALVE HATTS SERIES B-3000, BALL VALVE HATTS SERIES B0600 OR B0601 FULL PORT. ALL VALVES 1/2" TO 2" BRONZE BODY. VALVES SHALL CONFORM TO NSF/ANSI #1.

5. PRESSURE AND TEMPERATURE RELIEF VALVE: HATTS REGULATING CO. MODEL 101. T&P RELIEF VALVE SHALL CONFORM TO ANSI Z21.22.

6. PRESSURE REDUCING VALVE: HATTS SERIES 2540S BRONZE BODY WITH INTEGRAL S/S STRAINER. SEALED CASE FOR 1/2" TO 1 1/2" DIA. TO 300 PSI. PRESSURE REDUCING VALVE SHALL CONFORM TO ASSE 1005.

7. PRESSURE GAUGE: AMETEK DIV. OF U.S. GAUGE SERIES P-500, UP TO 4 1/2" DIA. 1/4" STEM ALUMINUM CASE BACK FINISH.

8. AIR VENT: NORPHAN #7H WATER MAIN VENT VALVE.

9. WATER METER: HERSEY CO. MODEL ACO SERIES 16. WATER METER SHALL CONFORM TO ALL APPLICABLE PARTS OF ANSI/AWWA C100 AND NSF/ANSI #1.

10. VACUUM RELIEF VALVE: HATTS MODEL N96-HI BRASS BODY, 1/2" NPT LINE SIZE. VACUUM RELIEF VALVES SHALL CONFORM TO ANSI Z21.22.

11. EXPANSION TANK: AMTROL THERMAL EXPANSION TANK MODEL ST. CONTRACTOR TO VERIFY SIZE REQUIRED FOR EXPANSION TANK PRIOR TO BID. THERMAL EXPANSION TANK TO CONFORM TO NSF/ANSI #1.

12. TRAP PRIMER: PRECISION PLUMBING PRODUCTS INC. MODEL PL-500 UP TO FOUR CONNECTIONS. OPTIONAL DISTRIBUTION UNIT REQUIRED FOR 2, 3 AND FOUR DRAIN LINES. TRAP PRIMER TO CONFORM TO ASSE 1010 OR ASSE 1044.

13. MIXING VALVE: HATTS SERIES MHV MIXING VALVE, 1/2" LINE SIZE. MIXING VALVE SHALL CONFORM TO ASSE 1010 OR ASSE 1044.

14. BACKFLOW PREVENTER: ZURN MODEL #754-3 REDUCED PRESSURE PRINCIPLE ASSEMBLY. SHALL CONFORM TO ASSE 1010 AND ANHA C501.

IV. INSULATION

1. ALL HOT AND COLD WATER PIPING AND FITTINGS SHALL BE INSULATED WITH 1" THICK RIGID FIBERGLASS WITH VAPOR BARRIER UNIVERSAL JACKET PASTED WITH VAPOR BARRIER CEMENT. VAPOR BARRIER NOT REQUIRED ON HOT WATER PIPING.

2. ALL ADA CONFORMING WHEELCHAIR ACCESSIBLE LAVATORY P-TRAP AND ANGLE VALVE ASSEMBLIES TO BE COVERED WITH THE MOLDED, ANTIMICROBIAL, TUBRO, INC. "LAV-GUARD" UNDERSINK PROTECTIVE PIPE COVER MODEL #105.

V. SPECIFIC PLUMBING SPECIFICATIONS

1. INSTALL NEW ONLY IF EXISTING DOES NOT MEET CURRENT ADA/CADO-ANSI (AS APPLICABLE) STANDARDS, OR IS DAMAGED, NOT IN WORKING ORDER OR NOT EXISTING AS APPLICABLE.

2. IT IS THIS CONTRACTOR'S RESPONSIBILITY TO SUPPLY HANDICAPPED TOILET FIXTURES, IF REQUIRED BY CODE OR NOTED ON THE DRAWINGS, UTILIZING THE SPECIFICATION ABOVE AS A STANDARD AND MEETING CODE REQUIREMENTS. SPACING OF FIXTURES TO BE COORDINATED WITH THE GENERAL CONTRACTOR AS WELL AS THE PLUMBING INSPECTOR'S REQUIREMENTS.

VI. LANDLORD'S CRITERIA

1. THE PLUMBING CONTRACTOR IS TO BECOME FAMILIARIZED WITH LANDLORD'S CRITERIA FOR THIS LOCATION AND INCLUDE ANY WORK REQUIRED OF THIS CRITERIA, WHICH IS NOT SPECIFICALLY NOTED IN THESE DRAWINGS AND SPECIFICATIONS.

VII. ELASTOMERIC WATERPROOFING MEMBRANE

1. DESCRIPTION: MANUFACTURER'S PROPRIETARY ELASTOMERIC COMPOUND FORMULATED FOR USE AS HEAVY DUTY WATERPROOF MEMBRANE UNDER CERAMIC TILE FLOORS.

2. REQUIRED IN NET AREAS:
a. FLOOR NEXT TO FLOOR DRAIN.
b. ACCEPTABLE MANUFACTURERS:
1. BOSTIC CONSTRUCTION PRODUCTS, HUNTINGDON VALLEY, PA.
2. MARFI CORPORATION, ELK GROVE VILLAGE, IL.
3. THE NOBLE COMPANY, BRAND HAVEN, VA.
4. LATIGRETE INTERNATIONAL, BETHANY, CT.

3. INSTALLATION: (2 COATS)
a. INSTALL OVER CURED CEMENT MORTAR BED AND CONCRETE FLOORS AS APPLICABLE, IN STRICT COMPLIANCE WITH MANUFACTURER'S INSTRUCTIONS.
b. FLASH MEMBRANE 4" UP ADJACENT WALLS AND RESTRAINING SURFACES AS RECOMMENDED BY MANUFACTURER.
c. ALLOW MEMBRANE TO CURE PRIOR TO SETTING TILE.
d. DO NOT ALLOW CONSTRUCTION TRAFFIC ON MEMBRANE.
e. MUST BE SLEEVED AND GULLED. ***

III. MATERIALS

1. DRAINAGE AND VENT PIPING: EXTRA HEAVY HD AND SFRIGOT CAST IRON S.O.P. WITH RUBBER GASKETS CONFORMING TO ASTM C204. (OR APPROVED EQUAL PER LOCAL AND STATE BUILDING CODES.) NCH&S CAST IRON TO HAVE HEAVY DUTY. TYPE 304 STAINLESS STEEL COUPLINGS CONFORMING TO ASTM A 886, TYPE 304 STAINLESS STEEL SHIELD, TYPE 304 STAINLESS STEEL BANDS AND 68 BELTS.

2. WATER PIPING BELOW SLAB: TYPE K HARD COPPER TUBING WITH CAST BRONZE OR INCOURIT COPPER SOLDER JOINT FITTINGS USING 98-3 SOLDER. WATER PIPING ABOVE SLAB: TYPE I HARD COPPER TUBING USING SILVER SOLDER. ALL WATER SUPPLY PIPING TO CONFORM TO NSF/ANSI #1 AND ASTM B 75, ASTM B 88, ASTM B 226, OR ASTM B 441. ALL PIPE FITTINGS SHALL CONFORM TO ASSE 1061, ASME B 16.3, ASME B 16.21, ASME B 16.22, ASME B 16.23, ASME B 16.24, AND ASME B 16.24.

3. WATER HAMMER ARRESTERS: PROVIDE ON HOT AND COLD WATER BRANCHES TO FIXTURES. USE 8" SWHT HYDROTEK MODEL 5030 FOR UP TO 60 FIXTURE UNITS. WATER HAMMER ARRESTERS SHALL CONFORM TO ASSE 1010.

4. VALVES: GATE VALVE HATTS SERIES B-3000, CHECK VALVE HATTS SERIES B-3000, BALL VALVE HATTS SERIES B0600 OR B0601 FULL PORT. ALL VALVES 1/2" TO 2" BRONZE BODY. VALVES SHALL CONFORM TO NSF/ANSI #1.

5. PRESSURE AND TEMPERATURE RELIEF VALVE: HATTS REGULATING CO. MODEL 101. T&P RELIEF VALVE SHALL CONFORM TO ANSI Z21.22.

6. PRESSURE REDUCING VALVE: HATTS SERIES 2540S BRONZE BODY WITH INTEGRAL S/S STRAINER. SEALED CASE FOR 1/2" TO 1 1/2" DIA. TO 300 PSI. PRESSURE REDUCING VALVE SHALL CONFORM TO ASSE 1005.

7. PRESSURE GAUGE: AMETEK DIV. OF U.S. GAUGE SERIES P-500, UP TO 4 1/2" DIA. 1/4" STEM ALUMINUM CASE BACK FINISH.

8. AIR VENT: NORPHAN #7H WATER MAIN VENT VALVE.

9. WATER METER: HERSEY CO. MODEL ACO SERIES 16. WATER METER SHALL CONFORM TO ALL APPLICABLE PARTS OF ANSI/AWWA C100 AND NSF/ANSI #1.

10. VACUUM RELIEF VALVE: HATTS MODEL N96-HI BRASS BODY, 1/2" NPT LINE SIZE. VACUUM RELIEF VALVES SHALL CONFORM TO ANSI Z21.22.

11. EXPANSION TANK: AMTROL THERMAL EXPANSION TANK MODEL ST. CONTRACTOR TO VERIFY SIZE REQUIRED FOR EXPANSION TANK PRIOR TO BID. THERMAL EXPANSION TANK TO CONFORM TO NSF/ANSI #1.

12. TRAP PRIMER: PRECISION PLUMBING PRODUCTS INC. MODEL PL-500 UP TO FOUR CONNECTIONS. OPTIONAL DISTRIBUTION UNIT REQUIRED FOR 2, 3 AND FOUR DRAIN LINES. TRAP PRIMER TO CONFORM TO ASSE 1010 OR ASSE 1044.

13. MIXING VALVE: HATTS SERIES MHV MIXING VALVE, 1/2" LINE SIZE. MIXING VALVE SHALL CONFORM TO ASSE 1010 OR ASSE 1044.

14. BACKFLOW PREVENTER: ZURN MODEL #754-3 REDUCED PRESSURE PRINCIPLE ASSEMBLY. SHALL CONFORM TO ASSE 1010 AND ANHA C501.

IV. INSULATION

1. ALL HOT AND COLD WATER PIPING AND FITTINGS SHALL BE INSULATED WITH 1" THICK RIGID FIBERGLASS WITH VAPOR BARRIER UNIVERSAL JACKET PASTED WITH VAPOR BARRIER CEMENT. VAPOR BARRIER NOT REQUIRED ON HOT WATER PIPING.

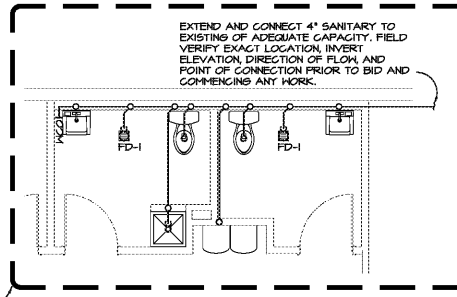
2. ALL ADA CONFORMING WHEELCHAIR ACCESSIBLE LAVATORY P-TRAP AND ANGLE VALVE ASSEMBLIES TO BE COVERED WITH THE MOLDED, ANTIMICROBIAL, TUBRO, INC. "LAV-GUARD" UNDERSINK PROTECTIVE PIPE COVER MODEL #105.

V. SPECIFIC PLUMBING SPECIFICATIONS

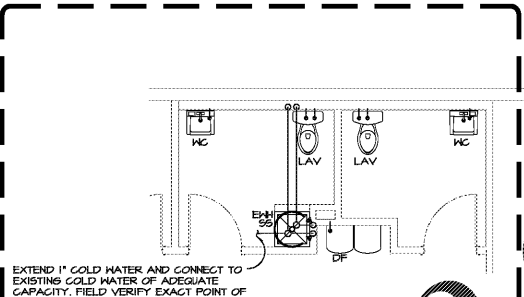
1. INSTALL NEW ONLY IF EXISTING DOES NOT MEET CURRENT ADA/CADO-ANSI (AS APPLICABLE) STANDARDS, OR IS DAMAGED, NOT IN WORKING ORDER OR NOT EXISTING AS APPLICABLE.

2. IT IS THIS CONTRACTOR'S RESPONSIBILITY TO SUPPLY HANDICAPPED TOILET FIXTURES, IF REQUIRED BY CODE OR NOTED ON THE DRAWINGS, UTILIZING THE SPECIFICATION ABOVE AS A STANDARD AND MEETING CODE REQUIREMENTS. SPACING OF FIXTURES TO BE COORDINATED WITH THE GENERAL CONTRACTOR AS WELL AS THE PLUMBING INSPECTOR'S REQUIREMENTS.

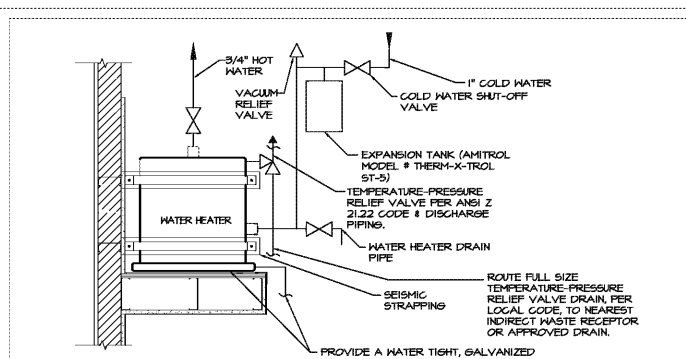
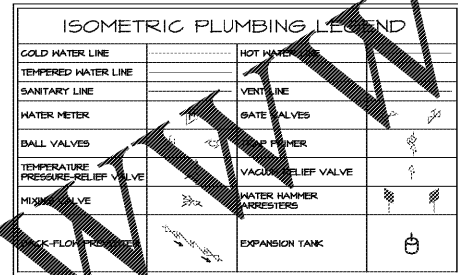
03 PLUMBING NOTES
SCALE: NO SCALE



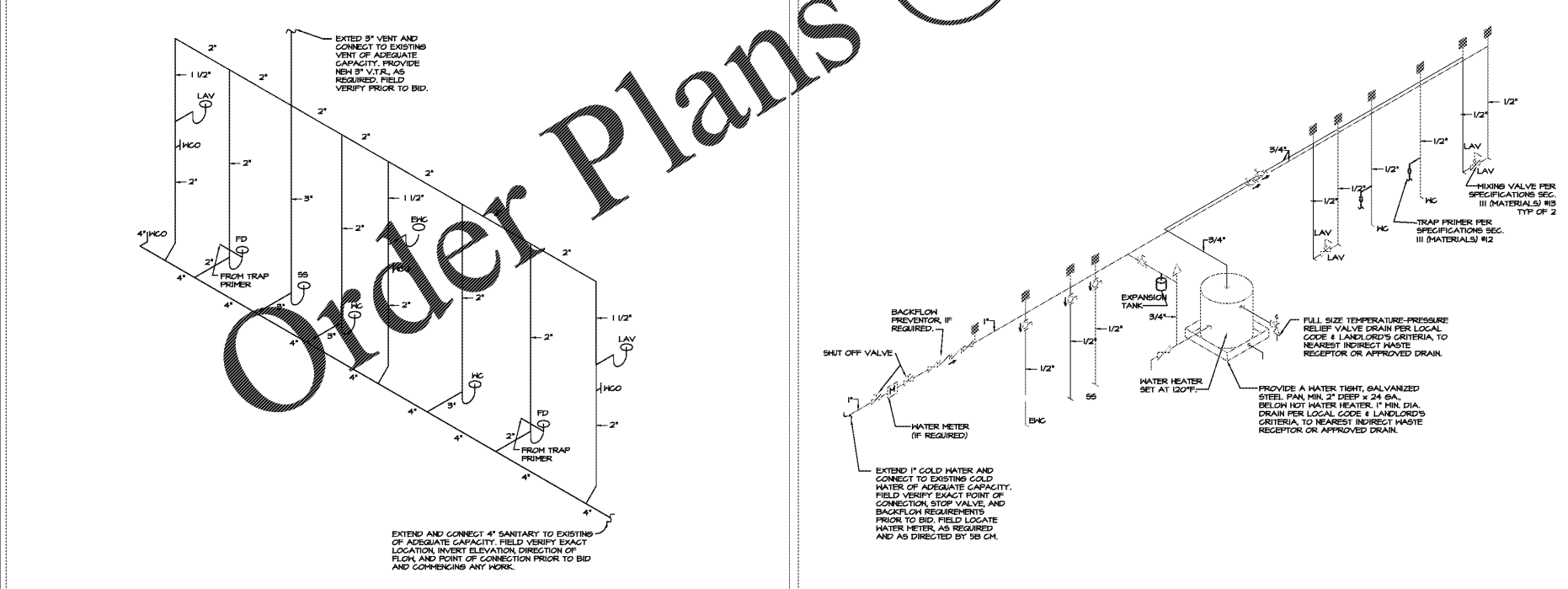
02 SANITARY PLAN
SCALE: 1/4" = 1'-0"



01 WATER SUPPLY PLAN
SCALE: 1/4" = 1'-0"



4 WATER HEATER DETAIL
NTS



3 SANITARY ISOMETRIC
NTS

2 WATER SUPPLY ISOMETRIC
NTS

MARK	FIXTURE	MANUFACTURER # MODEL NO.	FIXTURE CONNECTIONS				REMARKS
			CM	IN	X	V	
HC	WATER CLOSET	AMERICAN STANDARD NO. 2467.016	1/2"	-	4"	2"	INTEGRAL HANDICAP TANK TYPE, ELONGATED WATER SAVER CADET, OLSONITE RESIST OPEN - FRONT SEAT, 3000 HATS
LAV	LAVATORY	AMERICAN STANDARD NO. 0856.421	1/2"	1/2"	2"	2"	HALL MOUNTED LUCERNE VITREOUS CHINA WITH SINGLE CENTER HOLE, AMERICAN STANDARD FAUCET NO. 140.050 5/8"V SINGLE CONTROL CENTERSET, 0.5 GPM. GRID DRAIN WITH 1/4" TP, 1/4" G.P. IT 64, 1/2" TRAP BODY C.P. SUPPLIES WITH LOOSE KEY STOPS, JOSHAM FLOOR MOUNTED CARRIER SINGLE LEVER A.D.A. AND ANSI ANTI-APPROVED, INSULATE DRAIN AND SUPPLY LINES WITH 1/2" ARMSTRONGS "ARMAFLEX" PIPING INSULATION.
UR1	URINAL HANG	AMERICAN STANDARD MODEL # 6540.029	1"	-	2"	2"	AMERICAN STANDARD MODEL # 6540.029 WASHROOM 0.5 GPM. WHITE VITREOUS CHINA, WASHOUT FLUSH 3/4" INLET SIFED, FLUSHING RIM AND HALL HANGERS, SLOAN 92' 82' 82' FLUSH VALVE WITH VACUUM BREAKER AND ANGLE CHECK STOP, 108838 IN IT TO RIM
ED	FLOOR DRAIN	JOSHAM NO. 30002-A-SO	1/2"	-	3"	2"	3" WITH NICALOY STRAINER AND PRIMER TRAP.
EW	ELEC. WATER COOLER	ELKAY MODEL NO. E9746	1/2"	-	2"	2"	FURNISH WITH STANDARD CABINET FINISH, TOUGH PAD ARCHITECT TO SPEC. COLOR.
MS	MOP SINK	FIAT PLUMBING MODEL M5244	1/2"	1/2"	3"	2"	FURNISH WITH FIAT #850-AA FAUCET.
EH	ELEC. WATER HEATER	A.O. SMITH NO. DEL-6	3/4"	3/4"	-	-	3000 HATS
EG	FLOOR CLEANOUT	JOSHAM SERIES 88960 ADJUSTABLE CLEANOUT SEE PLUMBING PLAN AND ISOMETRICS FOR SIZE.					FURNISH WITH JOSHAM SERIES 88960 ADJUSTABLE CLEANOUT SEE PLUMBING PLAN AND ISOMETRICS FOR SIZE.
HG	HALL CLEANOUT	JOSHAM SERIES 58910 (OR APPROVED EQUIVALENT) SEE CLEANOUT FOR USE IN HALLS. PROVIDE WITH JOSHAM SERIES 58900 HALL ACCESS COVER. SEE PLUMBING PLAN AND ISOMETRICS FOR SIZE.					FURNISH WITH JOSHAM SERIES 58910 (OR APPROVED EQUIVALENT) SEE CLEANOUT FOR USE IN HALLS. PROVIDE WITH JOSHAM SERIES 58900 HALL ACCESS COVER. SEE PLUMBING PLAN AND ISOMETRICS FOR SIZE.

NOTES:
1. ALL FIXTURES SHALL HAVE AN INDIVIDUAL SHUTOFF VALVE.
2. ALL FIXTURES SHALL BE PROVIDED WITH A SHUTOFF.
3. INSTALL A METER AND/OR BACKFLOW PREVENTER AS LOCAL CODE REQUIRES.

1 PLUMBING SCHEDULE
NTS

MICHAEL J GOLLINS
DIPLOMA ENGINEER
No. 18,152
Professional Seal
Professional Engineer
State of Florida, License Number 65782
Expiration Date 01/15/2024

ARCHITECTURAL SEAL

DATE	ISSUE

59/18/19	PERMIT / OWNER

PROJECT NAME / LOCATION

FIVE BELOW
NORTH LAKELAND
919 LAKELAND PARK CENTER DRIVE
LAKELAND, FL 33809

PROJECT INFORMATION

DATE: SEPTEMBER 18, 2019
PROJECT NO. 190636
DELIVERY TYPE: AS-IS

DRAWN: [Blank]
CHECKED: [Blank]

SHEET TITLE / NUMBER
PLUMBING PLAN, NOTES, RISER DIAGRAM & SPECIFICATIONS