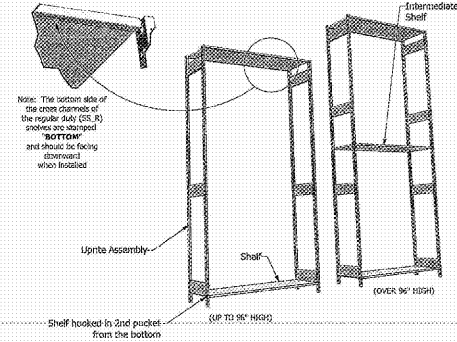


INSTALLATION INSTRUCTIONS

S-SERIES STORAGE SHELVING
BASIC SYSTEM ASSEMBLY INSTRUCTIONS

STARTER SECTION
CAUTION: AT LEAST TWO PEOPLE ARE REQUIRED TO STABILIZE THE SYSTEM DURING ASSEMBLY.

WARNING! REFERENCE PAGE 21 FOR PRODUCT SAFETY INFORMATION.



- Hold two (2) upright assemblies vertical and hook tops of a shelf into the 2nd pocket from the floor.
- Install a shelf near the top of the upright and install an intermediate shelf on taller uprights. (Over 96" high) This will help stabilize the system. Reference pages 19 & 20 for more detail information.

WARNING! TO STABILIZE THE FINISHED SYSTEM, A BOTTOM SHELF SHOULD BE INSTALLED WITHIN 4" OF THE FLOOR (UNLESS FLOOR ANCHORS ARE USED. SEE PAGE 7) AND A TOP SHELF WITHIN 12" OF THE TOP OF THE UPRIGHTS AND SHELVES SPACED NO MORE THAN 48" IN EACH SECTION OR THE RUN TO MAINTAIN THE RATED LOAD CAPACITY OF THE SYSTEM. SEE SYSTEM & SHELF LOAD CAPACITY PAGES 19 & 20.

6336 PERSHING DRIVE
OMAHA, NEBRASKA 68110
(402) 226-9882

01-46 REV. AA
PC24 01/18 19/02/2019
PAGE 3 OF 21

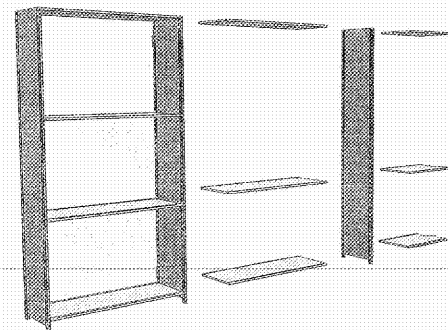
INSTALLATION INSTRUCTIONS

S-SERIES STORAGE SHELVING
CLOSED WOOD STORAGE SHELVING ASSEMBLY INSTRUCTIONS

ADDING SECTIONS:
4. Hook shelf into pockets in line with one of the center shelves of the starter section. Hook tabs at other end of shelf into pockets of free space. Repeat remainder of shelves at required positions. Side wood blocks should be attached as instructed by SYSTEM STABILIZING REQUIREMENTS PAGES 19 & 20.

WARNING! SOLID WOOD BACKS MUST BE LOCATED AT A MINIMUM, AS SHOWN BY SYSTEM STABILIZING REQUIREMENTS PAGES 19 & 20.

WARNING! THE SHELVES MUST BE LEVEL AND EACH CORNER MUST FULLY ENGAGE THE UPRIGHT POCKET.



6336 PERSHING DRIVE
OMAHA, NEBRASKA 68110
(402) 226-9882

01-46 REV. AA
PC24 01/18 19/02/2019
PAGE 14 OF 21

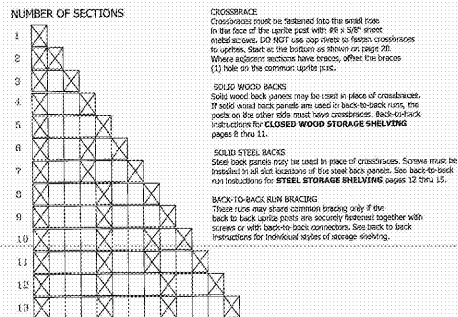
INSTALLATION INSTRUCTIONS

S-SERIES STORAGE SHELVING
SYSTEM STABILIZING REQUIREMENTS

WARNING! ALL RUNS OF STORAGE SHELVING MUST HAVE AT LEAST TWO SECTIONS Laterally Stabilized, As Shown Below. (EXCEPT A SINGLE FREE STANDING SECTION)

RUNS MUST BE STABILIZED ON THE END OR STARTER SECTION AND STABILIZED AT MINIMUM ON EVERY FOURTH SECTION THEREAFTER, PLUS STABILIZED ON THE LAST SECTION. FAILURE TO DO THIS MAY RESULT IN PERSONAL INJURY AND PROPERTY DAMAGE.

EXAMPLES OF STABILIZER LOCATIONS:



NOTE: The style and quantity of cross-braces in each brand section depends on the height of the uprights, as shown on page 20.

6336 PERSHING DRIVE
OMAHA, NEBRASKA 68110
(402) 226-9882

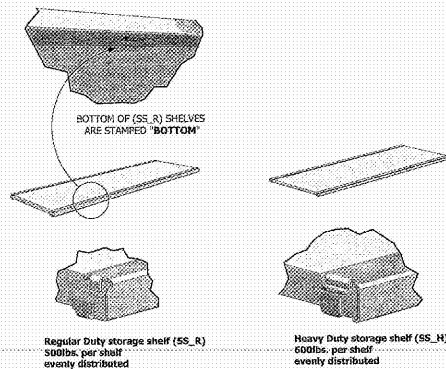
01-46 REV. AA
PC24 01/18 19/02/2019
PAGE 19 OF 21

INSTALLATION INSTRUCTIONS

S-SERIES STORAGE SHELVING
SHELF OPTIONS AND SYSTEM LOAD CAPACITIES

WARNING! REFERENCE PAGE 21 FOR PRODUCT SAFETY INFORMATION

NOTE: STYLE AND PROPER ORIENTATION OF SHELF HOLES



6336 PERSHING DRIVE
OMAHA, NEBRASKA 68110
(402) 226-9882

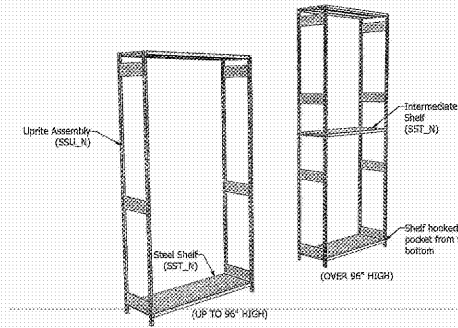
01-46 REV. AA
PC24 01/18 19/02/2019
PAGE 21 OF 21

INSTALLATION INSTRUCTIONS

S-SERIES STORAGE SHELVING
STEEL STORAGE SHELVING ASSEMBLY INSTRUCTIONS

STARTER SECTION
CAUTION: AT LEAST TWO PEOPLE ARE REQUIRED TO STABILIZE THE SYSTEM DURING ASSEMBLY.

WARNING! REFERENCE PAGE 21 FOR PRODUCT SAFETY INFORMATION.



- Hold two (2) upright assemblies vertical and hook tops of a shelf into the 2nd pocket from the floor.
- Install a shelf near the top of the upright and install an intermediate shelf on taller uprights. (Over 96" high) This will help stabilize the system. Reference pages 19 & 20 for more detail information.

WARNING! TO STABILIZE THE FINISHED SYSTEM, A BOTTOM SHELF SHOULD BE INSTALLED WITHIN 4" OF THE FLOOR (UNLESS FLOOR ANCHORS ARE USED. SEE PAGE 7) AND A TOP SHELF WITHIN 12" OF THE TOP OF THE UPRIGHTS AND SHELVES SPACED NO MORE THAN 48" IN EACH SECTION OR THE RUN TO MAINTAIN THE RATED LOAD CAPACITY OF THE SYSTEM. SEE SYSTEM & SHELF LOAD CAPACITY PAGES 19 & 20.

6336 PERSHING DRIVE
OMAHA, NEBRASKA 68110
(402) 226-9882

01-46 REV. AA
PC24 01/18 19/02/2019
PAGE 15 OF 21

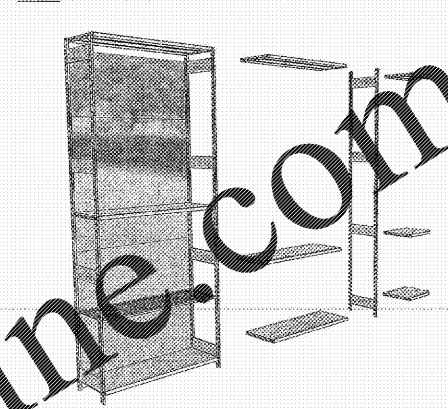
INSTALLATION INSTRUCTIONS

S-SERIES STORAGE SHELVING
STEEL STORAGE SHELVING ASSEMBLY INSTRUCTIONS

ADDING SECTIONS:
4. Hook shelf into pockets in line with one of the center shelves of the starter section. Hook tabs at other end of shelf into pockets of free space. Repeat remainder of shelves at required positions. Crossbraces or steel back blocks should be attached as instructed by SYSTEM STABILIZING REQUIREMENTS PAGES 19 & 20.

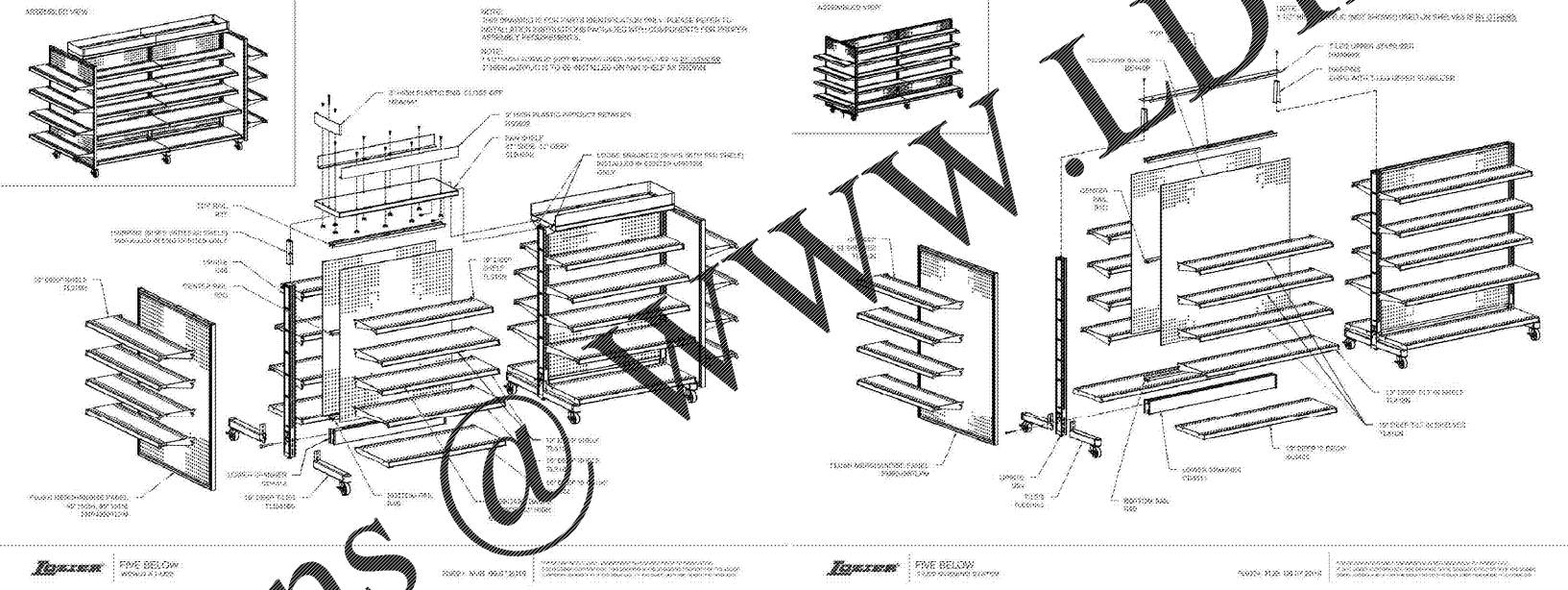
WARNING! DO NOT USE POP RIVETS TO FASTEN CROSSBRACES ON BACKS TO UPRIGHTS. ALWAYS USE #8 SHEET METAL SCREWS. BRACES MUST BE LOCATED AS SHOWN BY SYSTEM STABILIZING REQUIREMENTS PAGES 19 & 20.

WARNING! THE SHELVES MUST BE LEVEL AND EACH CORNER MUST ENGAGE THE UPRIGHT POCKET.



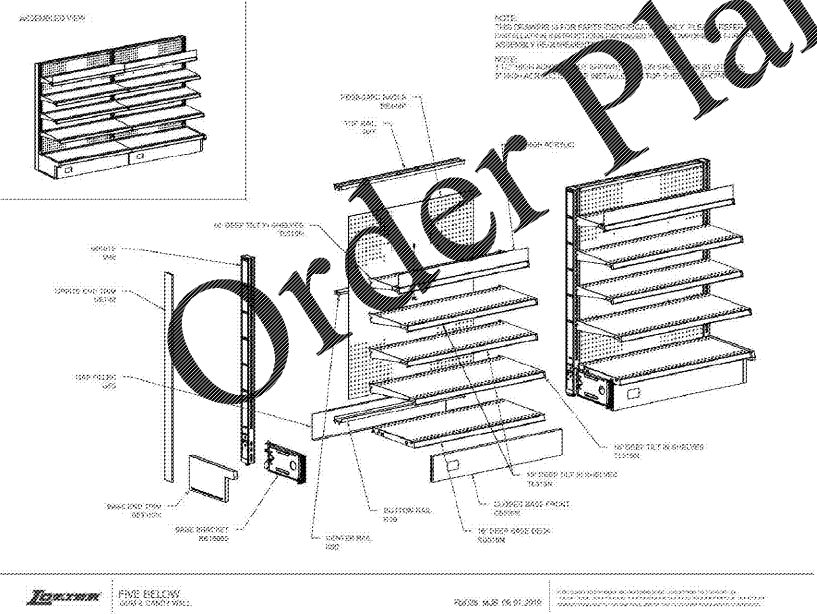
6336 PERSHING DRIVE
OMAHA, NEBRASKA 68110
(402) 226-9882

01-46 REV. AA
PC24 01/18 19/02/2019
PAGE 16 OF 21



6336 PERSHING DRIVE
OMAHA, NEBRASKA 68110
(402) 226-9882

01-46 REV. AA
PC24 01/18 19/02/2019
PAGE 20 OF 21



6336 PERSHING DRIVE
OMAHA, NEBRASKA 68110
(402) 226-9882

01-46 REV. AA
PC24 01/18 19/02/2019
PAGE 20 OF 21

FOR REFERENCE ONLY

ENGINEER

ARCHITECTURAL SEAL

DATE ISSUE

09/18/19 PERMIT / OWNER

PROJECT NAME / LOCATION

FIVE BELOW
NORTH LAKELAND
919 LAKELAND PARK CENTER DRIVE
LAKELAND, FL 33809

PROJECT INFORMATION

DATE: SEPTEMBER 18, 2019
PROJECT NO. 190636
DELIVERY TYPE: AS-IS

DRAWN: JTB
CHECKED: JDM

SHEET TITLE / NUMBER

GONDOLA & SHELVING DETAILS

F2.1