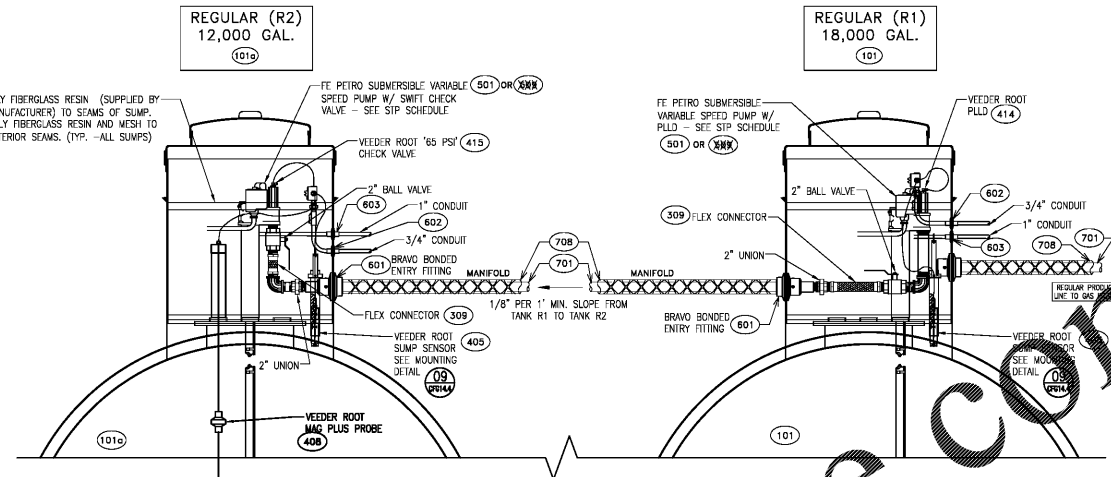
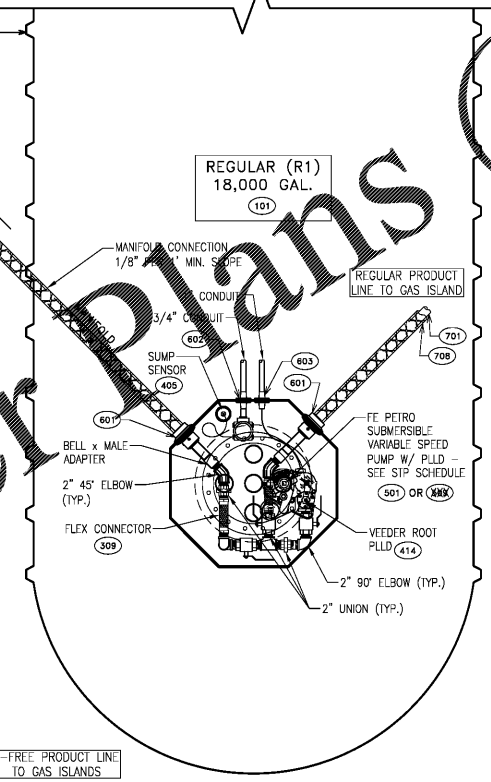
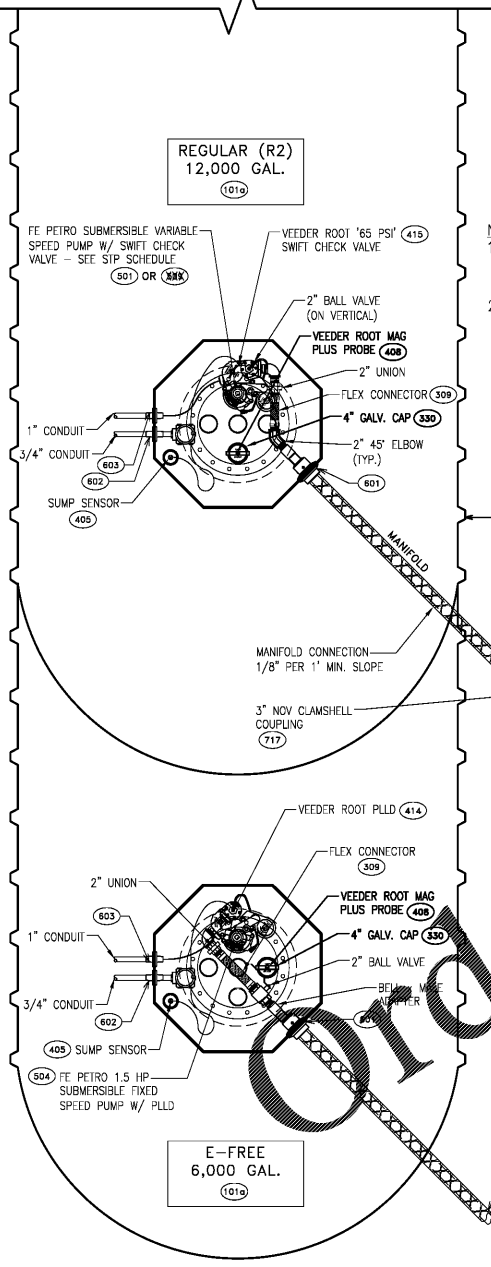


STP SCHEDULE

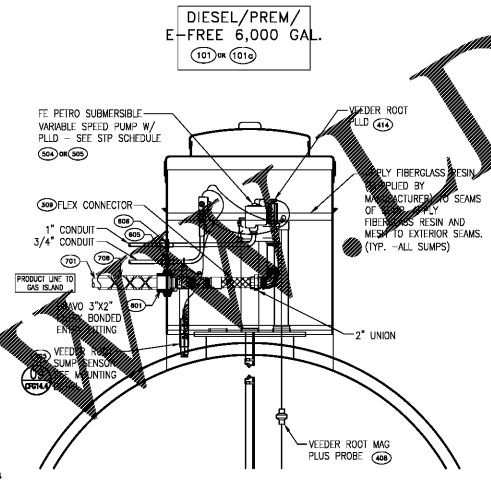
# DISPENSERS	# STP'S (REGULAR)	HP VARIABLE SPEED (REGULAR)	# STP'S (PREM./DIESEL/E-FREE)	HP FIXED SPEED (PREM./DIESEL/E-FREE)
5 OR LESS	1 (R1) 1 (R2)	2 HP 2 HP	1	1.5 HP

NOTES:

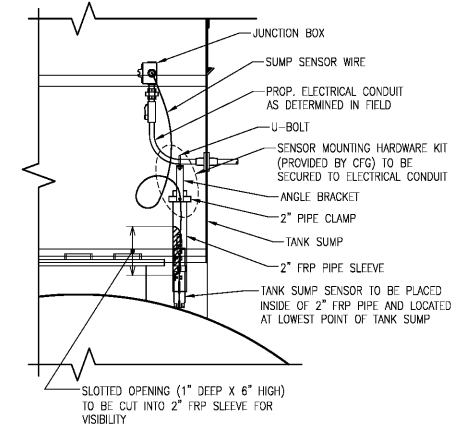
1. LOCATION OF FITTINGS AS SHOWN FOR PRODUCT PIPING, SIPHON BAR AND REMOVE FILLS (IF REQUIRED) ARE ILLUSTRATIVE ONLY. SEE SITE SPECIFIC PIPING PLAN FOR ACTUAL PIPING LAYOUT.
2. QUANTITY OF FE PETRO SUBMERSIBLE PUMPS TO BE PROVIDED PER STP SCHEDULE. EACH PUMP WILL BE INSTALLED WITH A PLLD TRANSDUCER IN ACCORDANCE WITH THE VEEDER-ROOT INSTALLATION GUIDE. THE PLLD SHALL BE CAPABLE OF DETECTING A LINE LEAKAGE RATE OF 3 GALLONS PER HOUR AT 10 PSI, AND EACH PUMP WILL SHUT OFF OR RESTRICT PRODUCT FLOW IF THE LEAKAGE RATE IS EXCEEDED. THE TANK R? STP WILL HAVE A 65 PSI CHECK VALVE INSTALLED IN PLACE OF A PLLD.



02 MANIFOLD TANK SUMP PROFILE
CFG14.4 SCALE: N.T.S.



03 DIESEL/PREMIUM/E-FREE TANK SUMP PROFILE
CFG14.4 SCALE: N.T.S.



05 TANK SUMP SENSOR MOUNTING DETAIL
CFG14.4 SCALE: N.T.S.

01 TANK SUMP PLAN
CFG14.4 SCALE: 1/2" = 1'-0"

stillwater TECHNOLOGIES
203 Hillcrest Street
Orlando, Florida 32801
(407) 206-7222
(407) 206-7223 fax
FL. Cert. of Auth. #8326

STILLWATER PROJECT #547-020

FREDERICK A. BLECK
LICENSE
No. 50701
STATE OF FLORIDA
PROFESSIONAL ENGINEER

REVISIONS

NO.	DATE	REV. BY.	DESCRIPTION
1	09/12/18	MHF	UPDATE GUIDELINES
2	10/19/18	FAB	CLIENT REVIEW
3	12/05/18	FAB	REV. PER CLIENT REVIEW

V# n/a
Store# n/a
Gas Station# n/a

MICCO ROAD & US HWY 1
BREVARD COUNTY, FLORIDA

DOUBLE WALL FIBERGLASS TANK INSTALLATION FOR:
ONE (1) 24,000 (18/6 SPLIT)/ONE (1) 24,000 (6/12/6 SPLIT) GAL. TANKS

Cumberland
CUMBERLAND FARMS, INC.
100 Crossing Boulevard
Framingham, MA 01702

SCALE: AS NOTED
DATE: September 12, 2018
FILE: 03 0204_CFG14.3 x28
DRAWN BY: DSA

SUMP & PIPING DETAILS
CFG14.4