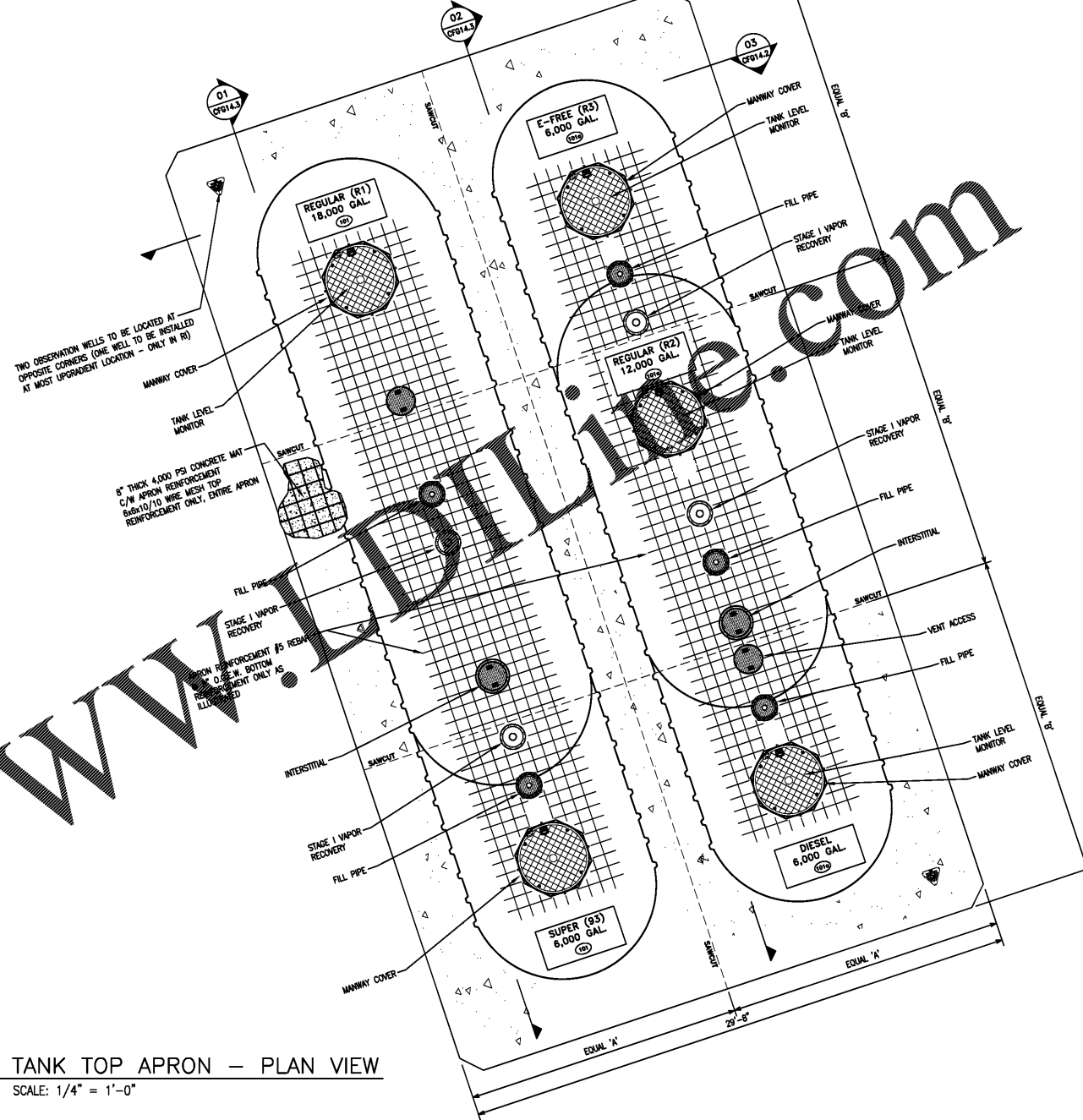
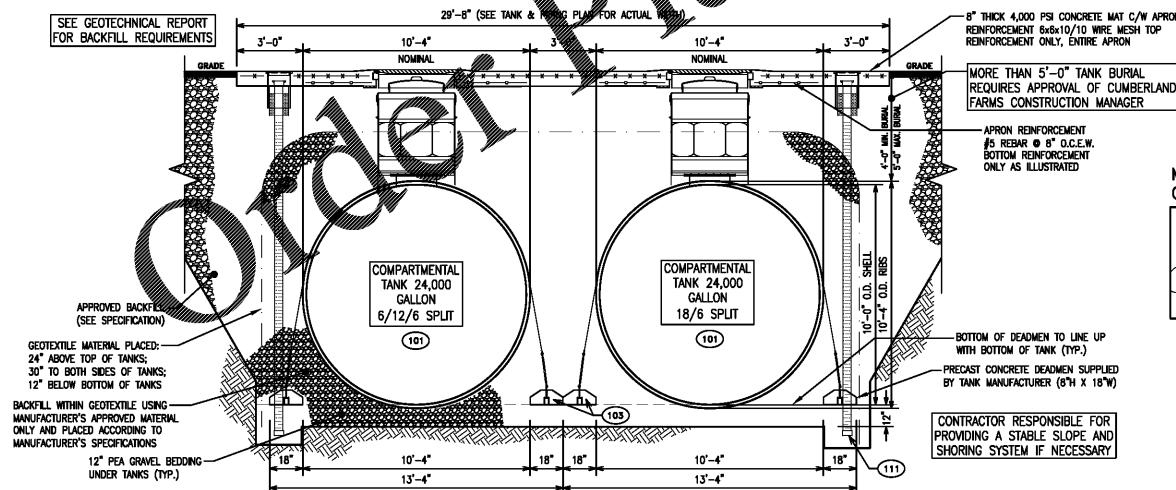


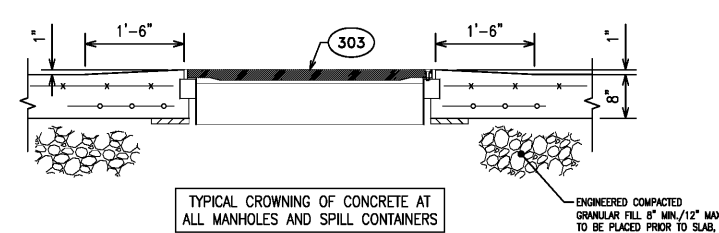
01 TANK DEADMAN ANCHORING PLAN  
 CFG14.2 SCALE: 1/4" = 1'-0"



02 TANK TOP APRON - PLAN VIEW  
 CFG14.2 SCALE: 1/4" = 1'-0"

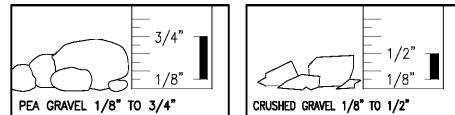


03 TANK FIELD CROSS SECTION  
 CFG14.2 SCALE: 1/4" = 1'-0"



04 TYPICAL CROWNING DETAIL  
 CFG14.2 SCALE: 3/4" = 1'-0"

MANUFACTURER'S APPROVED BACKFILL BETWEEN GEOTEXTILE AND TANKS:



NO PARTICLES LESS THAN 1/8" SIZE. SEE MANUFACTURER'S INSTRUCTIONS FOR ADDITIONAL DETAILS AND COMPACTION SPECIFICATIONS.

**stillwater TECHNOLOGIES**  
 203 Hillcrest Street  
 Orlando, Florida 32801  
 (407) 206-7222  
 (407) 206-7223 fax  
 FL. Cert. of Auth. #8326

STILLWATER PROJECT #547-019

FREDERICK A. BLECH  
 LICENSE  
 No. 50701  
 STATE OF  
 FLORIDA  
 PROFESSIONAL ENGINEER

REVISIONS			
NO.	DATE	REV. BY.	DESCRIPTION
1	10/19/18	FAB	CLIENT REVIEW
2	12/05/18	FAB	REV. PER CLIENT REVIEW

V# n/a  
 Store# n/a  
 Gas Station# n/a

MICCO ROAD & US HWY 1  
 BREVARD COUNTY, FLORIDA

DOUBLE WALL FIBERGLASS TANK INSTALLATION FOR:  
 ONE (1) 24,000 (18/6 SPLIT)/ONE (1) 24,000 (6/12/6 SPLIT) GAL. TANKS

**Cumberland**  
 CUMBERLAND FARMS, INC.  
 100 Crossing Boulevard  
 Framingham, MA 01702

SCALE: AS NOTED  
 DATE: September 12, 2018  
 FILE:  
 DRAWN BY: DSA  
 TANK INSTALLATION DETAILS CFG14.2