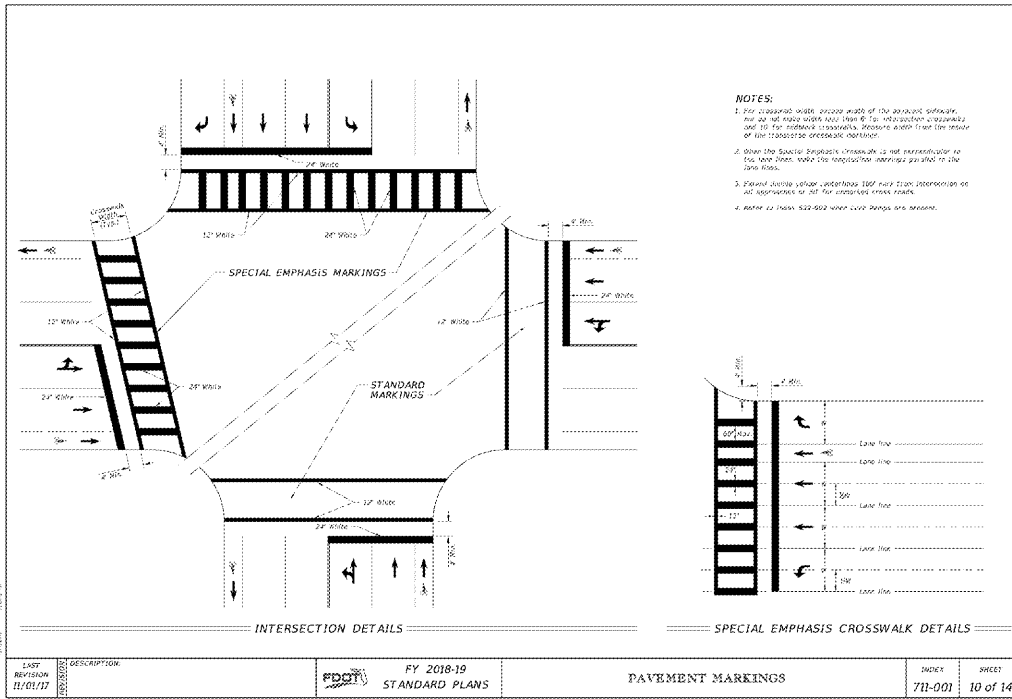
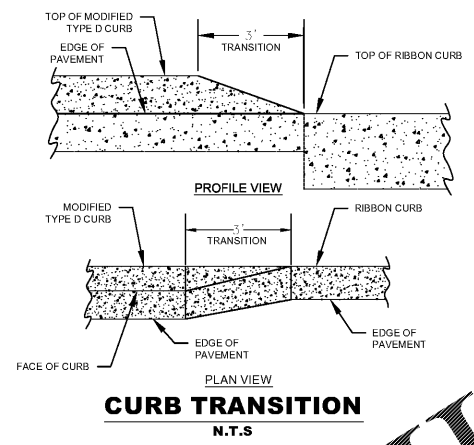
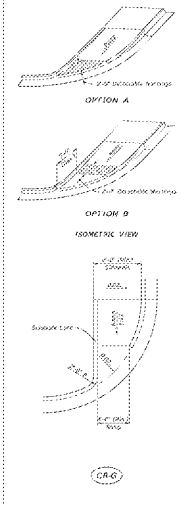


0 1/2 1 2 3 4
Inches

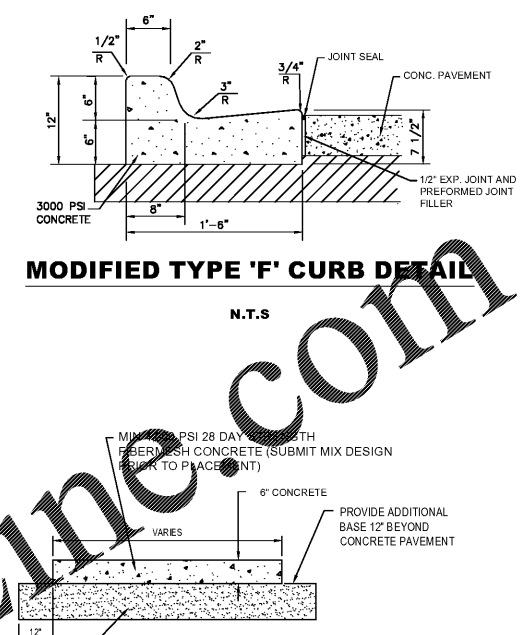


NOTES:
1. SEE STANDARD SPEC, SECTION 600.00 OF THE SPECIFICATIONS FOR THE PROPOSED WORK AND THE 6" TO 12" REINFORCED CONCRETE JOINT FOR THE MODIFIED TYPE 'F' CURB AND THE 12" TO 18" REINFORCED CONCRETE JOINT FOR THE MODIFIED TYPE 'D' CURB.
2. SHOW THE SPECIAL EMPHASIS MARKINGS TO THE INTERSECTION TO THE JOINTS.
3. PROVIDE JOINTS WITH ADEQUATE JOINT SEALING AND JOINT FILLER.
4. REFER TO INDEX 522-002 FOR CURB RAMP AND TRANSITION.

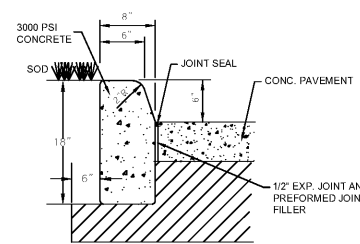
FDOT CURB RAMP DETAILS (INDEX 522-002) N.T.S.



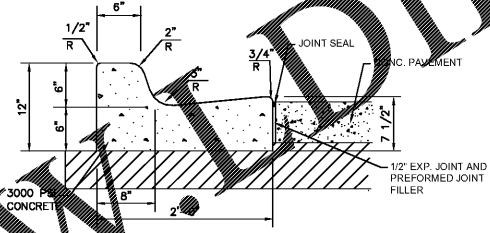
MODIFIED TYPE 'F' CURB DETAIL N.T.S.



FDOT TYPE 'D' CURB DETAIL (FDOT INDEX 520-001) N.T.S.

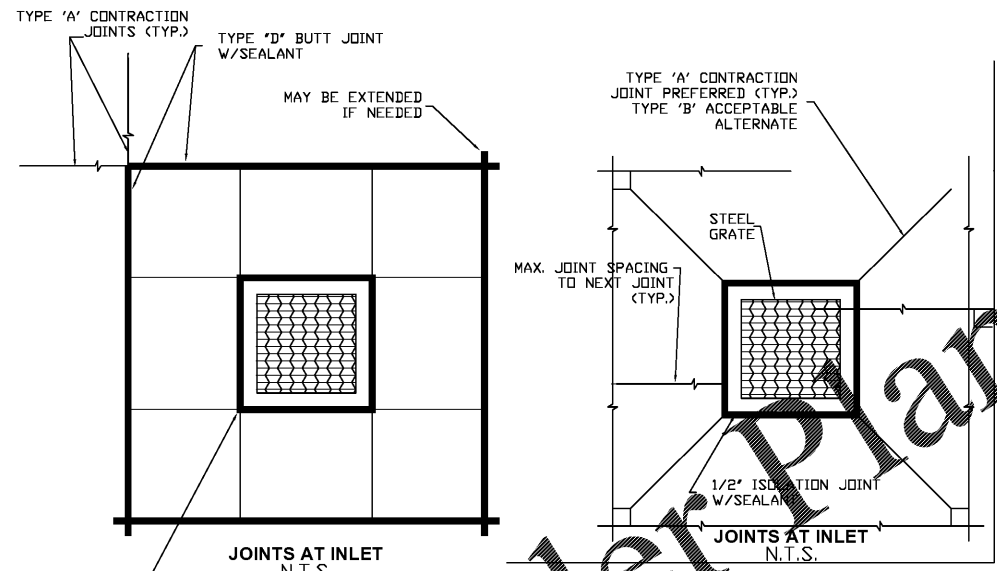
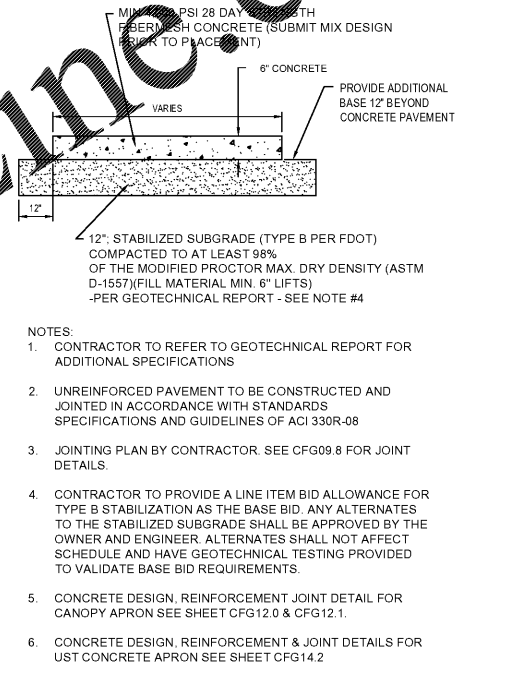


FDOT TYPE 'F' CURB DETAIL (FDOT INDEX 520-001) N.T.S.

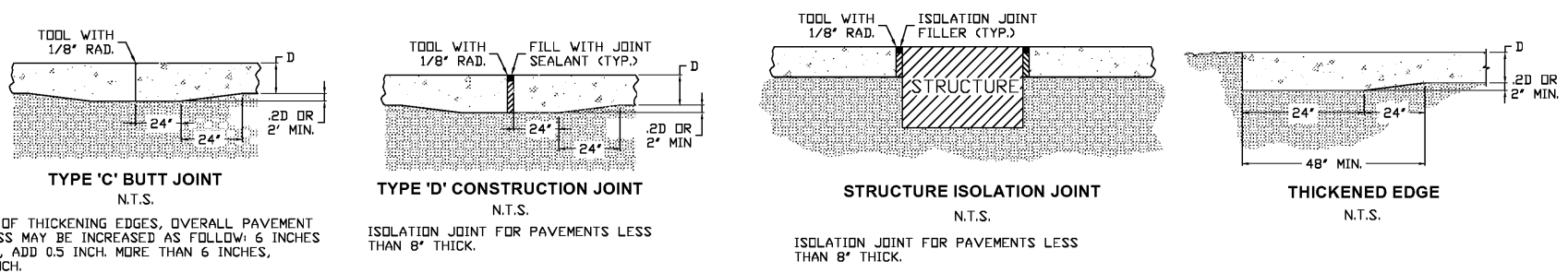
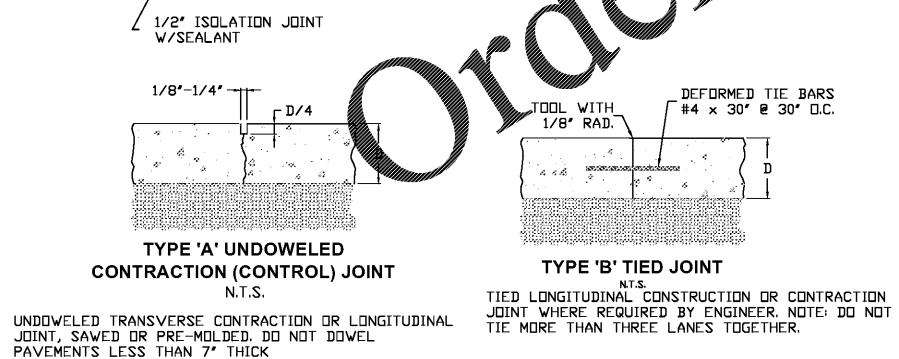
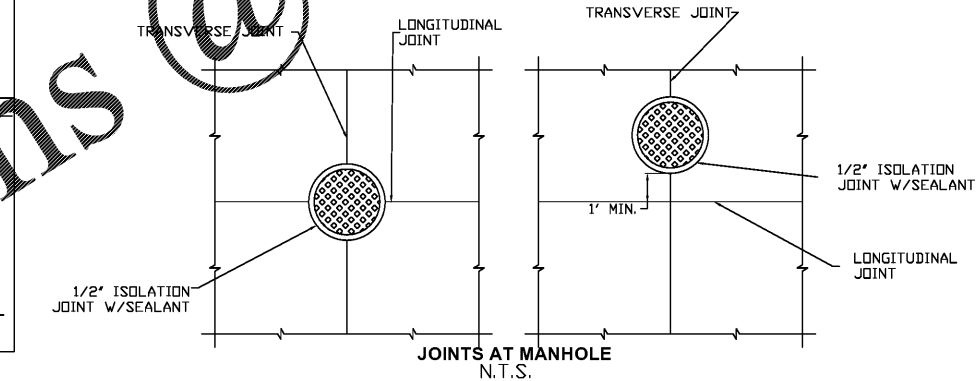


NOTES:
1. CONTRACTOR TO REFER TO GEOTECHNICAL REPORT FOR ADDITIONAL SPECIFICATIONS.
2. UNREINFORCED PAVEMENT TO BE CONSTRUCTED AND JOINTED IN ACCORDANCE WITH STANDARDS SPECIFICATIONS AND GUIDELINES OF ACI 330R-08.
3. JOINTING PLAN BY CONTRACTOR. SEE CFG09.8 FOR JOINT DETAILS.
4. CONTRACTOR TO PROVIDE A LINE ITEM BID ALLOWANCE FOR TYPE B STABILIZATION AS THE BASE BID. ANY ALTERNATES TO THE STABILIZED SUBGRADE SHALL BE APPROVED BY THE OWNER AND ENGINEER. ALTERNATES SHALL NOT AFFECT SCHEDULE AND HAVE GEOTECHNICAL TESTING PROVIDED TO VALIDATE BASE BID REQUIREMENTS.
5. CONCRETE DESIGN, REINFORCEMENT & JOINT DETAIL FOR CANOPY APRON SEE SHEET CFG12.0 & CFG12.1.
6. CONCRETE DESIGN, REINFORCEMENT & JOINT DETAILS FOR CURB CONCRETE APRON SEE SHEET CFG14.2

CONCRETE PAVEMENT TYPICAL SECTION N.T.S.



NOTES:
1. ASSURE SAW JOINTS ARE CLEAN AND DRY PRIOR TO THE APPLICATION OF THE JOINT SEALANT.
2. INSTALL CLOSED CELL BACKER ROD AFTER JOINTS HAVE BEEN CLEANED AND DRIED IN ACCORDANCE WITH SEALANT MANUFACTURER'S REQUIREMENTS.
3. INSTALL BACKER ROD AT CONSISTENT AND UNIFORM DEPTH.
4. JOINT SEALANT APPLICATION SHALL BE IN STRICT ACCORDANCE WITH SEALANT MANUFACTURER'S REQUIREMENTS.
5. ALL JOINTS SHALL HAVE JOINT SEALANT APPLICATION.
6. JOINT SEALANT - SIKAFLEX 1C (SELF LEVELING) SEALANT OR APPROVED EQUAL.



CONCRETE JOINT DETAILS N.T.S.

JEFFREY LUCAS, P.E.
FLORIDA REG. NO. 71821



NOTICE:
The information in this document was prepared by ATKINS, Inc. While ATKINS has taken all reasonable steps to ensure the accuracy of the information contained in this document, it cannot guarantee that changes or alterations to this document will not be made by persons other than ATKINS personnel after the document leaves the possession of ATKINS. Changes or alterations may be made on a case-by-case basis and may be made by computer or other electronic means unless it is that compared to the original. ATKINS makes no warranties, express or implied, concerning the accuracy of the information contained in any document transmitted or received by computer or other electronic means.

Rev.	Date	Description	By	Check	Appr.
1	11/7/18	BREVARD COUNTY COMMENTS	cp	fw	
2	12/10/18	BREVARD COUNTY COMMENTS	cp	fw	
3	03/04/19	BREVARD COUNTY COMMENTS	cp	fw	
4	03/24/19	BREVARD COUNTY COMMENTS	cp	fw	
5	09/30/19	PER CLIENT COMMENTS	cp	fw	

Drawing Status: **FOR PERMITTING** Submittal: **\$0**

ATKINS
CORPORATE OFFICE: 4030 W. BOY SCOUT BLVD TAMPA, FLORIDA 33607
LOCAL OFFICE: 7175 MURRELL ROAD MELBOURNE, FL 32940
TEL. 321.242.4942 FAX 321.242.6101
www.atkinsglobal.com
Copyright © Atkins Limited (2017)



Project Title: **MICCO ROAD & US-1 BREVARD COUNTY, FL 100060192**

Drawing Title: **CONSTRUCTION DETAILS**

Scale	Designed	Drawn	Checked	Authorized
Original Size	JL	DF		
ARCH D	Date	Date	Date	Date
Drawing Number	Revision			
CFG09.3				

User: PERE4816 G:\PROJECTS\100060192 - CF - Micco Rd & US-1\1.0 CAD\CFG09.8 BREVARD COUNTY PUBLIC WORKS NOTES.dwg