

**AIR COOLED CONDENSING UNIT SCHEDULE**

MARK	AREA SERVED	MANUFACTURER	MODEL	CAPACITY				ELECTRICAL DATA				REFRIG-ERANT	CON. PIPE SIZE		OPERATING WEIGHT (LBS)
				MBH	VOLTS	PHASE	MCA	MOCP	LIQUID	SUCTION					
ACCU - 1	FBD	KIRWAN	12-7462-0007	3.8	208	1	12	15	R-404A	3/8"	3/8"	200			
ACCU - 2	FBD	KIRWAN	12-7462-0007	3.8	208	1	12	15	R-404A	3/8"	3/8"	200			
ACCU - 3	CHILL ZONE ICE MAKER	MANITOWOC ICE	JCT-0500-161	8.9	120	1	1.8	15	R-410A	5/16"	1/2"	76			
ACCU - 4	CHILL ZONE ICE MAKER	MANITOWOC ICE	JCT-0500-161	8.9	120	1	1.8	15	R-410A	5/16"	1/2"	76			

- GENERAL NOTES (APPLIES TO ALL UNITS):
- REFRIGERANT PIPING SHALL BE SIZED BY MANUFACTURER'S RECOMMENDATIONS BASED ON FIELD CONDITIONS.
  - PROVIDE DRYER, SIGHT GLASS AND SUCTION ACCUMULATOR
  - DISCONNECT TO BE PROVIDED BY ELECTRICAL SUBCONTRACTOR.

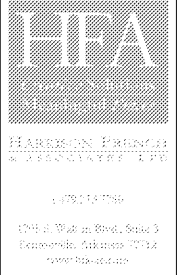
**RECOMMENDED LINE SIZES FOR R-448A**

SYSTEM CAPACITY	SUCTION LINE SIZE																LIQUID LINE SIZE											
	SUCTION TEMPERATURE																											
	-20°F EQUIVALENT LENGTHS				+10°F EQUIVALENT LENGTHS				-10°F EQUIVALENT LENGTHS				-20°F EQUIVALENT LENGTHS				-30°F EQUIVALENT LENGTHS			RECEIVER TO EXPANSION VALVE EQUIVALENT LENGTHS								
8TUH	25'	50'	100'	150'	25'	50'	100'	150'	25'	50'	100'	150'	25'	50'	100'	150'	25'	50'	100'	150'	25'	50'	100'	150'	25'	50'	100'	150'
12000	5/8"	7/8"	7/8"	7/8"	5/8"	7/8"	7/8"	7/8"	5/8"	7/8"	7/8"	7/8"	5/8"	7/8"	7/8"	7/8"	5/8"	7/8"	7/8"	7/8"	5/8"	7/8"	7/8"	7/8"	3/8"	3/8"	3/8"	3/8"
15000	5/8"	7/8"	7/8"	7/8"	5/8"	7/8"	7/8"	7/8"	5/8"	7/8"	7/8"	1-1/8"	5/8"	7/8"	7/8"	7/8"	5/8"	7/8"	7/8"	7/8"	5/8"	7/8"	7/8"	7/8"	3/8"	3/8"	3/8"	3/8"
18000	7/8"	7/8"	7/8"	7/8"	7/8"	7/8"	7/8"	1-1/8"	7/8"	7/8"	7/8"	1-1/8"	7/8"	7/8"	7/8"	1-1/8"	7/8"	7/8"	7/8"	7/8"	7/8"	7/8"	7/8"	7/8"	3/8"	3/8"	3/8"	3/8"
24000	7/8"	7/8"	1-1/8"	1-1/8"	7/8"	7/8"	1-1/8"	1-1/8"	7/8"	7/8"	1-1/8"	1-1/8"	7/8"	7/8"	1-1/8"	1-1/8"	7/8"	7/8"	1-1/8"	1-1/8"	7/8"	7/8"	1-1/8"	1-1/8"	3/8"	1/2"	1/2"	1/2"
30000	7/8"	7/8"	1-1/8"	1-1/8"	7/8"	7/8"	1-1/8"	1-3/8"	7/8"	7/8"	1-1/8"	1-3/8"	7/8"	7/8"	1-1/8"	1-3/8"	7/8"	7/8"	1-1/8"	1-3/8"	7/8"	7/8"	1-1/8"	1-3/8"	3/8"	1/2"	1/2"	1/2"

- SIZES THAT ARE HIGHLIGHTED INDICATE MAXIMUM SUCTION LINES THAT SHOULD BE USED FOR RISERS. RISER SIZE SHOULD NOT EXCEED HORIZONTAL SIZE. PROPERLY PLACED SUCTION TRAPS MUST ALSO BE USED FOR ADEQUATE OIL RETURN. ALL SIZES SHOWN ARE FOR O.D. TYPE L COPPER TUBING.
- SUCTION LINE SIZES SELECTED AT PRESSURE DROP EQUIVALENT TO 2°F. REDUCE ESTIMATE OF SYSTEM CAPACITY ACCORDINGLY.
- RECOMMENDED LIQUID LINE SIZE MAY INCREASE WITH REVERSE CYCLE HOT GAS SYSTEMS.
- IF SYSTEM LOAD DROPS BELOW 40% OF DESIGN, CONSIDERATION TO INSTALLING DOUBLE SUCTION RISERS SHOULD BE MADE.
- RECOMMENDED PIPE SIZES FOR 25', 50', 100' AND 150'.
- CHART ADAPTED FROM TABLES 9 AND 9b OF HEATCRAFT REFRIGERATION BROCHURE H-M-CU-00118 CONDENSING UNITS.

**GENERAL NOTES**

- ALL EQUIPMENT RACKS AND SUPPORTS BY OTHERS.
- ALL EQUIPMENT SHALL BE INSTALLED ACCORDING TO MANUFACTURER'S GUIDELINES AND INSTALLATION CLEARANCES.
- REFER TO ARCH DWGS FOR EQUIPMENT RACK DETAIL.
- REFER TO MANUFACTURER'S LITERATURE FOR CLEARANCE REQUIREMENTS.
- REFRIGERANT LIQUID AND SUCTION PIPING SHALL BE SIZED BY EQUIPMENT MANUFACTURER (TYPICAL).
- (3) FBD FROZEN BEVERAGE, SANDWICH COOLER & ICE DISPENSER REMOTE ACCUS ARE SHOWN FOR COORDINATION PURPOSES ONLY. EQUIPMENT IS BY OTHERS. RSL & RLL PIPING AND SIZING SHALL BE ACCORDING TO MANUFACTURER'S RECOMMENDATIONS.
- ALL RISING REFRIGERANT LINES SHALL BE TYPE L HARD COPPER OR TYPE SOFT DRAWN COPPER ASTM B280. REFRIGERANT COILS, BRAIDED LINE SETS SHALL ONLY BE PERMITTED AS SHOWN ON PLANS.
- ALL REFRIGERANT LINE SETS SHALL BE INSULATED WITH MINCEL AP ARMAFLEX TUBE INSULATION TO THE THICKNESS AS SHOWN IN THE INSULATION THICKNESS SCHEDULES THIS SHEET.
- REFRIGERATION DRAWINGS ARE PROVIDED AS AN AID TO BIDDING AND TO INDICATE DESIRED ROUTING OF REFRIGERATION LINES. CONTRACTOR SHALL ASSUME FULL RESPONSIBILITY FOR CORRECT INSTALLATION OF PIPING AND ACCESSORIES TO PROVIDE A COMPLETE AND FULLY OPERATING SYSTEM.



STIPULATION FOR REUSE  
 THIS DRAWING WAS PREPARED FOR MICCO, INC. SPECIFIC TO THE PROJECT LISTED BELOW AND IS NOT TO BE REUSED FOR ANY OTHER PROJECT WITHOUT THE WRITTEN PERMISSION OF THE ENGINEER. THE ENGINEER'S RESPONSIBILITY FOR THE PROJECT IS NOT AUTHORIZED AND WILL BE CONTRIBUTED TO THE LAW.

**Cumberland**  
 Store Number: 9747  
 8090 US 1  
 Micco, FL 32976  
 JOB NUMBER: 41-17-00190

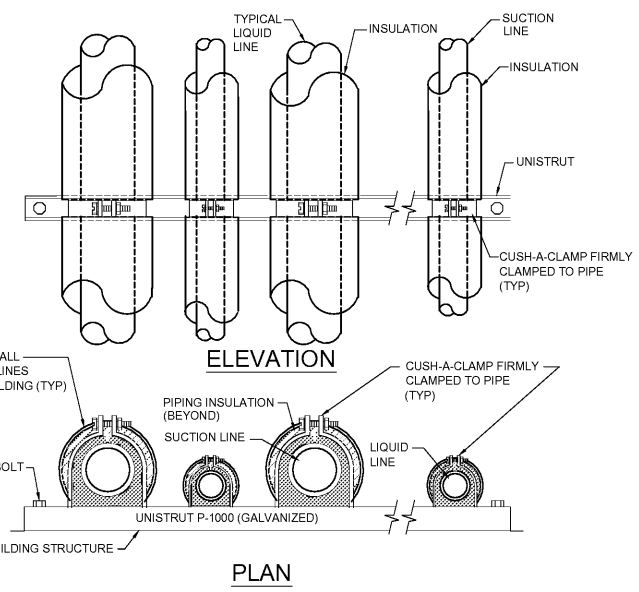
ISSUE BLOCK

CLIENT REVIEW	08/30/19
100%	09/27/19

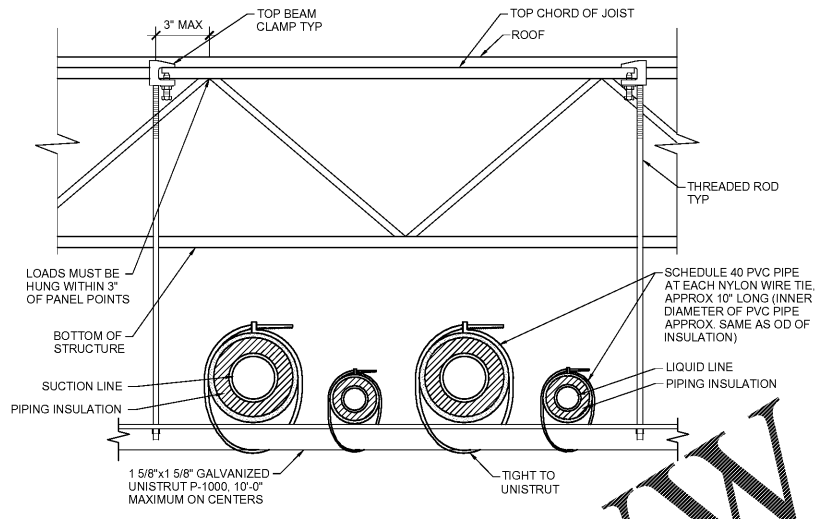
CHECKED BY: BRT  
 DRAWN BY: BRT

REFRIGERATION ROOF PLAN

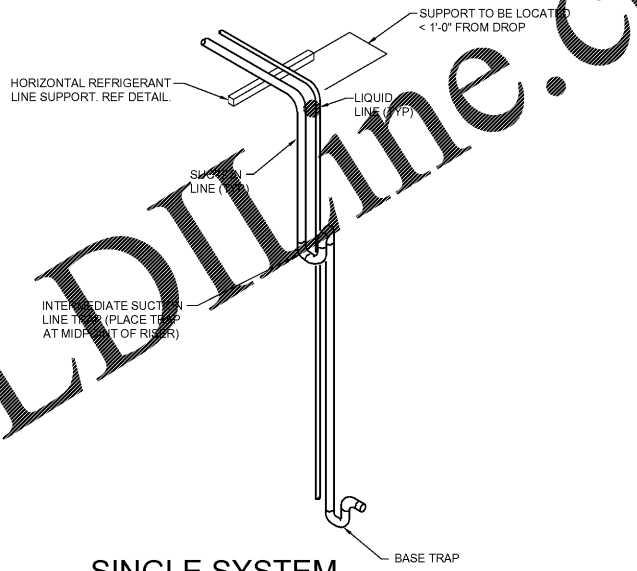
SHEET: R140



**1 VERTICAL REFRIGERANT LINE SUPPORT**  
 N.T.S. 11.21.17

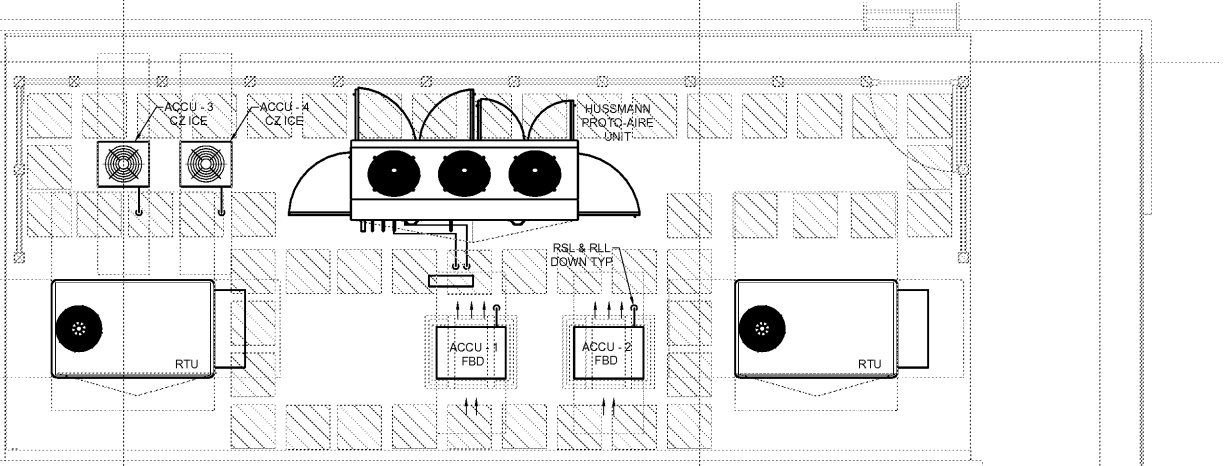


**2 MULTIPLE REFRIGERANT LINE TRAPEZE HANGER**  
 N.T.S. 11.21.17



**3 SINGLE SYSTEM INTERMEDIATE SUCTION LINE TRAP**  
 N.T.S. 11.21.17

Order Plans @



**4 REFRIGERANT - ROOF PLAN**  
 SCALE 1/4" = 1'-0"