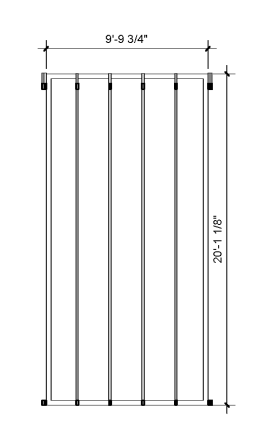
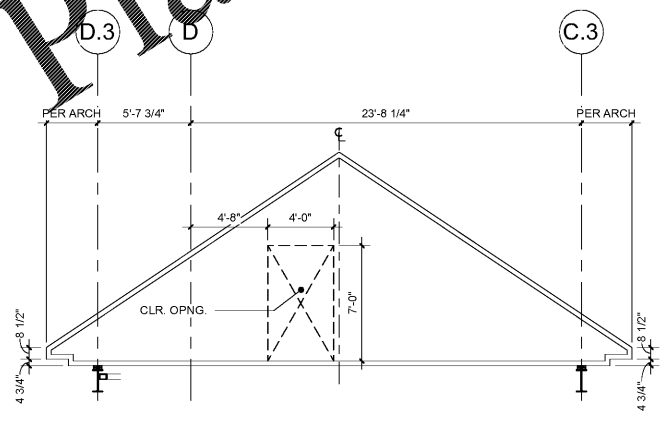
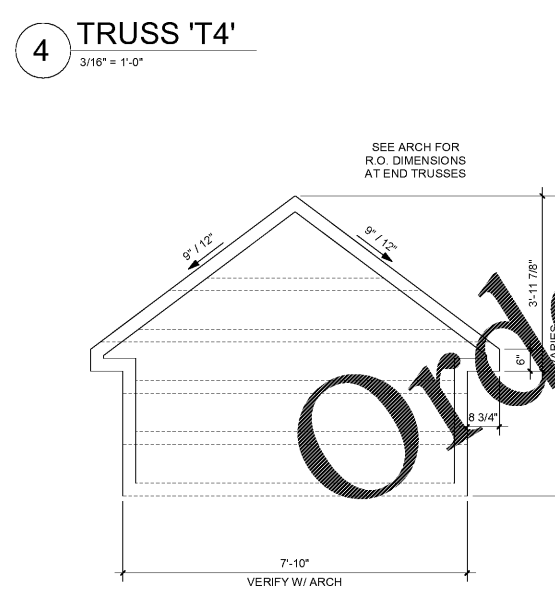
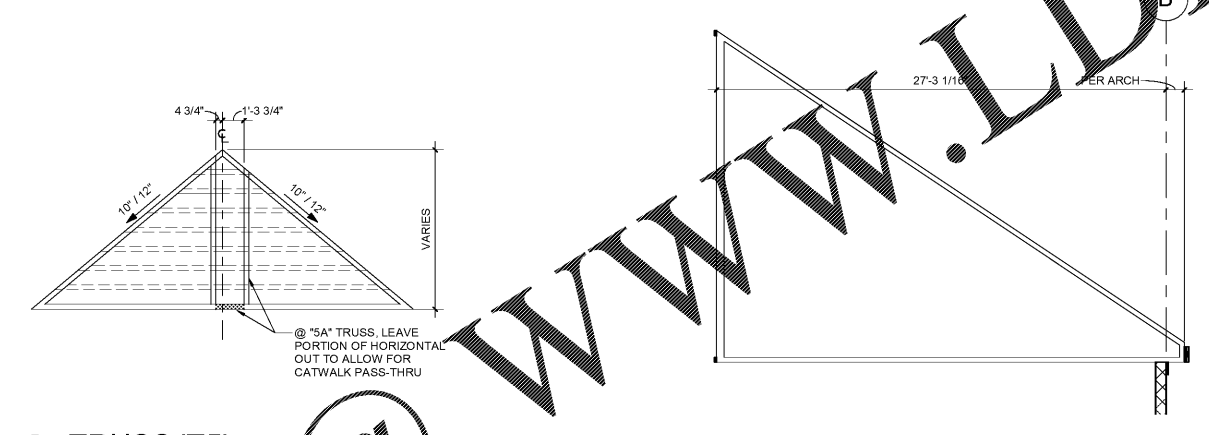
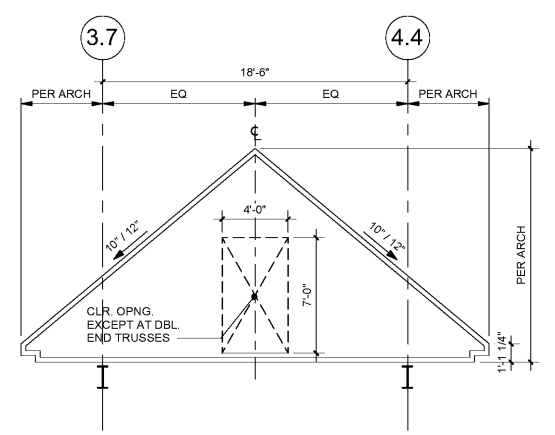
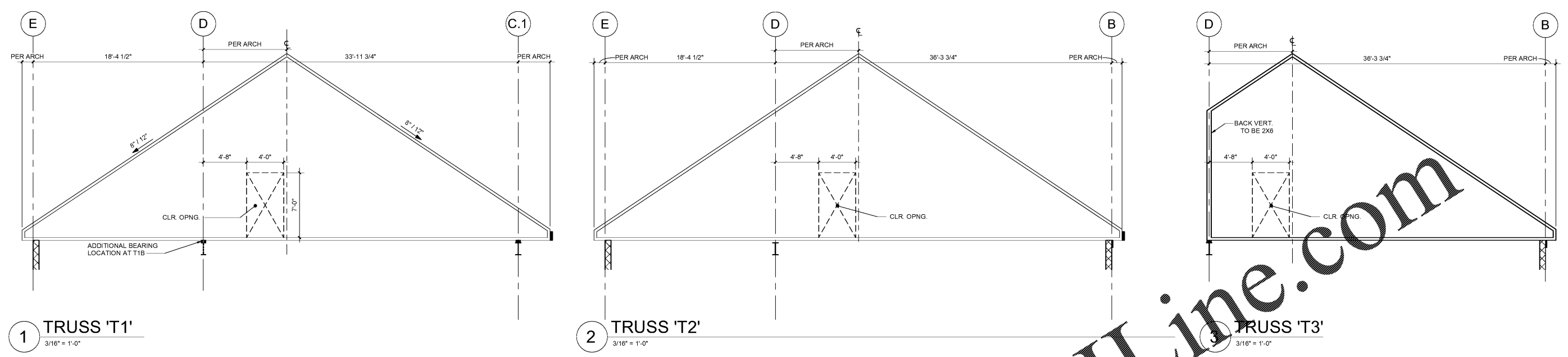


STIPULATION FOR REUSE
 THE DRAWING WAS PREPARED FOR
 MICCO, FL. BEING SITE AT
 8090 US 1 AND MICCO RD. ANY
 USE OF THIS DRAWING FOR ANY
 PROJECT SITE OR A LATER DATE
 WITHOUT THE WRITTEN PERMISSION
 OF HARRISON FRENCH & ASSOCIATES,
 ENGINEERS, ARCHITECTS, PLANNERS
 REQUIRES THE SERVICES OF PROPERLY
 LICENSED PROFESSIONALS AND MAY
 BE SUBJECT TO THE LAW.

Cumberland
 A R M S
 Store # 9747
 VSH # V1735
 Oracle # FL1735
 8090 US 1 AND MICCO RD
 MICCO, FL 32976
 JOB NUMBER: 41-17-00190

ISSUE BLOCK	
CLIENT REVIEW	08/30/19
100%	09/27/19

CHECKED BY: GGB
 DRAWN BY: AHM



8 TRUSS 'T8'
 1/2" = 1'-0"

9 TRUSS 'T9'
 3/16" = 1'-0"

10 TRUSS 'T7'
 3/16" = 1'-0"

9/22/2019 3:17:02 PM
 C:\Users\mcm\OneDrive\Documents\2019 Revit Projects\41-17-00190_ARCH\41-17-00190_ARCH\Truss Profiles.dwg
 Author: TRUSS PROFILES