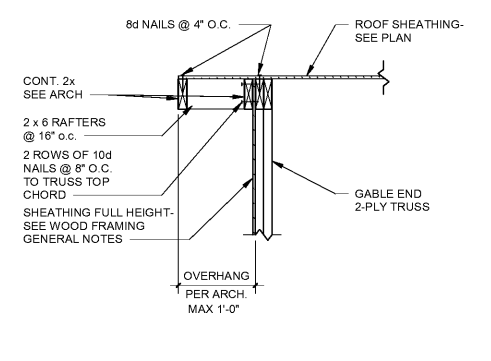
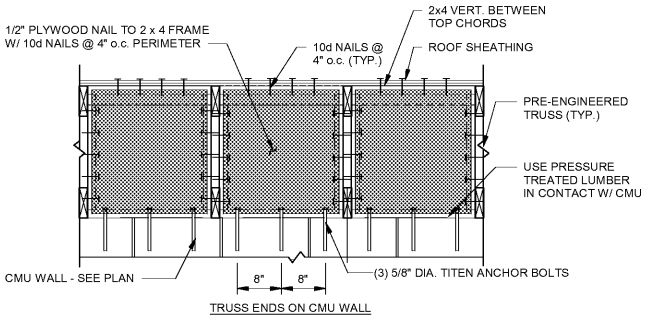


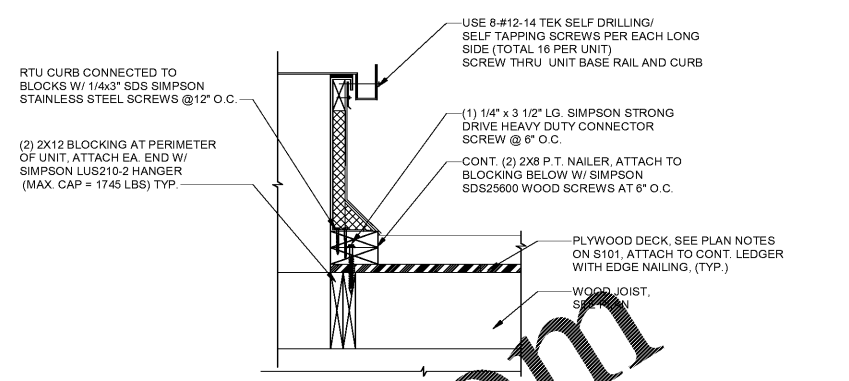
1 SECTION AT TRUSS ABOVE WINDOW
3/4" = 1'-0"



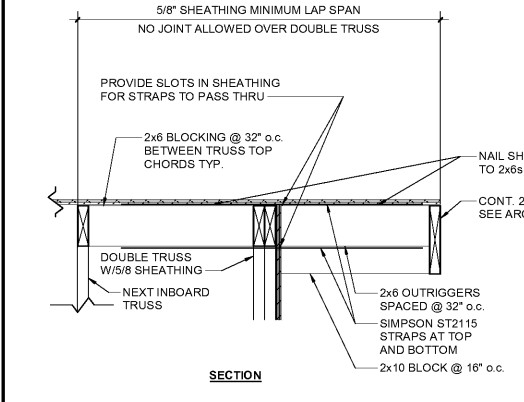
2 SECTION AT FRONT ENTRY GABLE END BLOCKING
3/4" = 1'-0"



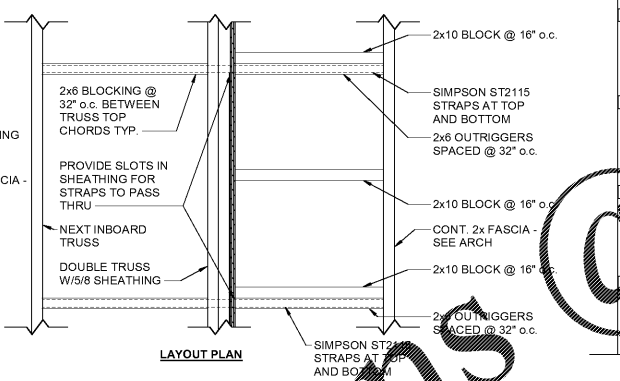
3 BLOCKED PANELS AT TRUSS ENDS - EXT. VIEW
3/4" = 1'-0"



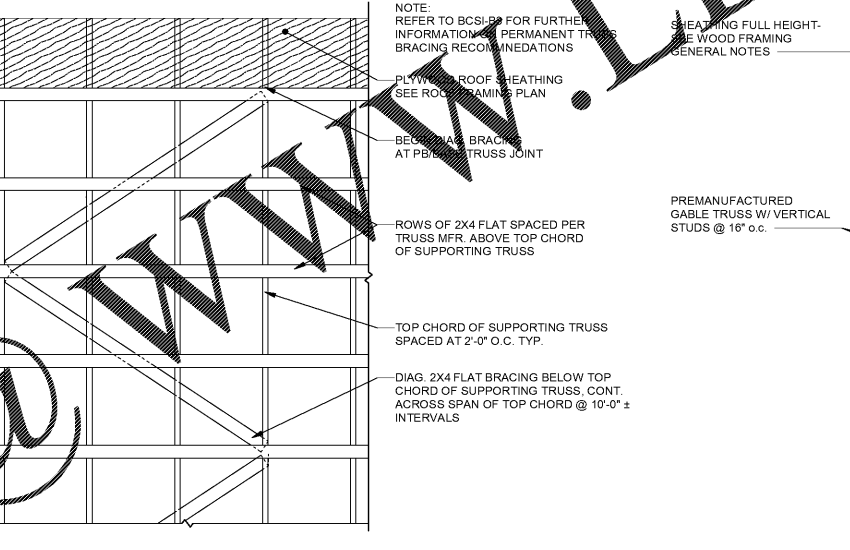
4 RTU CURB CONNECTION DETAIL
3/4" = 1'-0"



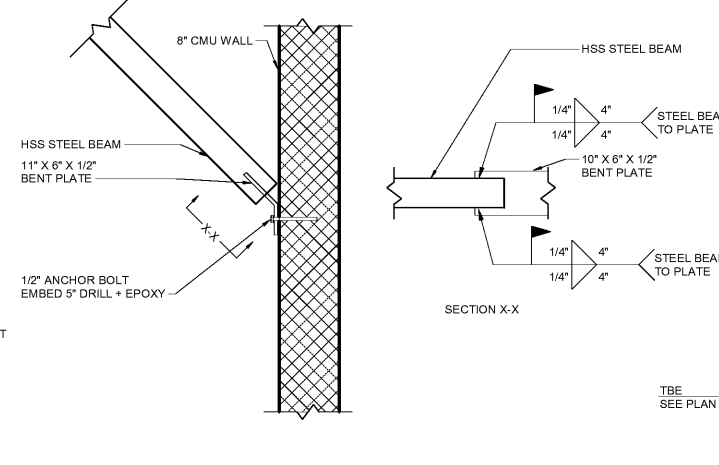
5 OUTRIGGER ATTACHMENT DETAIL
1" = 1'-0"



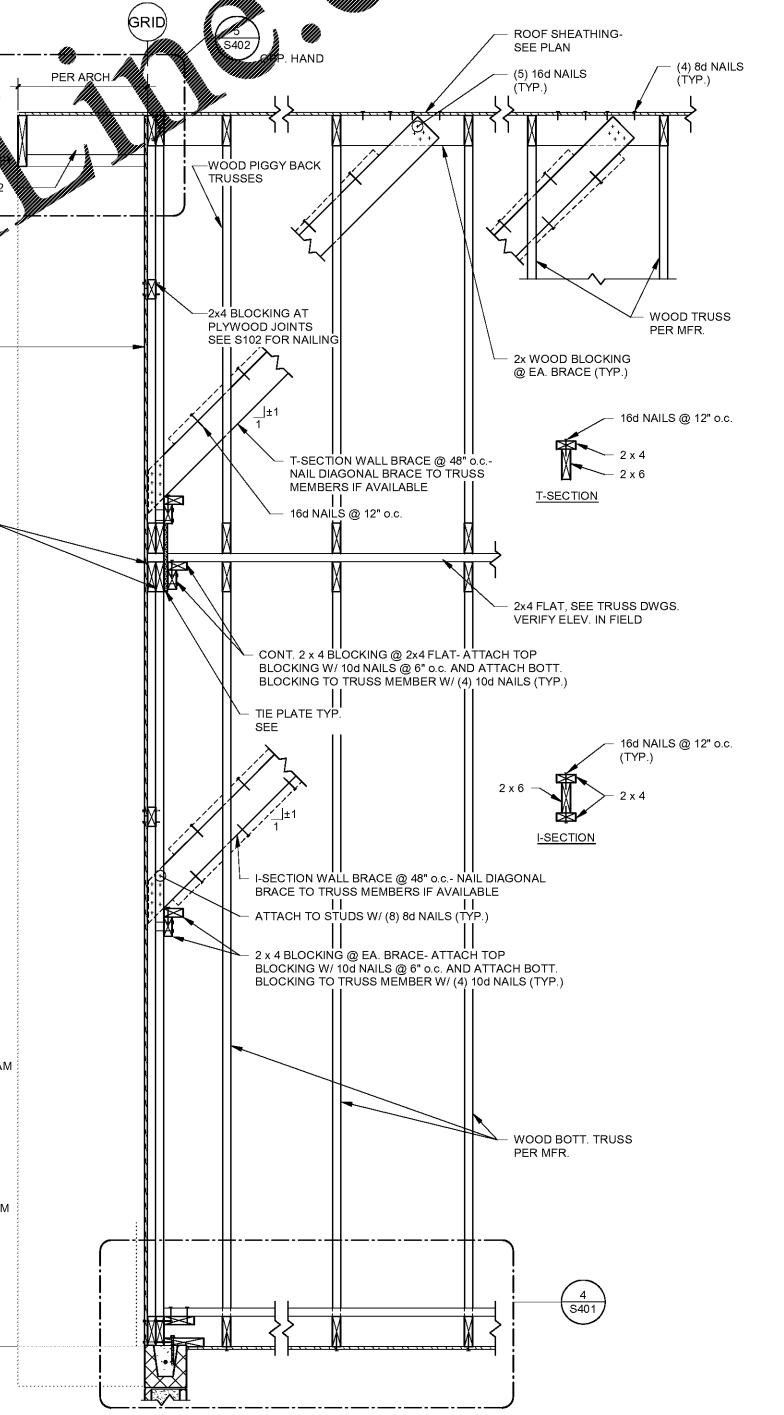
6 PIGGY BACK TRUSS DIAG. BRACING DETAIL
1/2" = 1'-0"



7 SECTION AT ROOF ELEVATION STEP
3/4" = 1'-0"



8 CONNECTION BETWEEN HSS STEEL BEAM AND CMU WALL
1" = 1'-0"



9 SECTION AT GABLE END BRACING
3/4" = 1'-0"

HFA
Creative Solutions
Meaningful Places
HARRISON FRENCH & ASSOCIATES, LTD.
508.528.0770
31 Hayward Street
Franklin, Massachusetts 02038
www.hfa-ac.com

STIPULATION FOR REUSE
THIS DRAWING WAS PREPARED FOR THE PROJECT AND SITE AT THE LOCATION LISTED BELOW. IT IS NOT TO BE REUSED FOR ANY OTHER PROJECT OR FOR A DIFFERENT PROJECT WITHOUT THE WRITTEN PERMISSION OF HARRISON FRENCH & ASSOCIATES, LTD. THE ENGINEER'S REPRODUCTION OF THIS PROJECT IS NOT AUTHORIZED AND MAY BE CONSIDERED AS A VIOLATION OF THE PROFESSIONAL ENGINEERING ACT.

Cumberland
A N M S
Store # 9747
VSH # V1735
Oracle # FL1735
8090 US 1 AND MICCO RD
MICCO, FL 32976
JOB NUMBER: 41-17-00190

ISSUE BLOCK	
CLIENT REVIEW	08/30/19
100%	09/27/19

CHECKED BY: GGB
DRAWN BY: AHM

ROOF FRAMING DETAILS AND SECTIONS

SHEET: **S402**