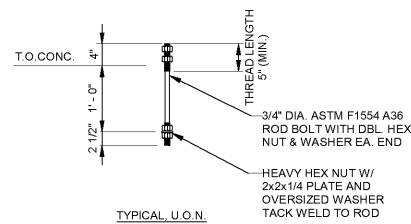
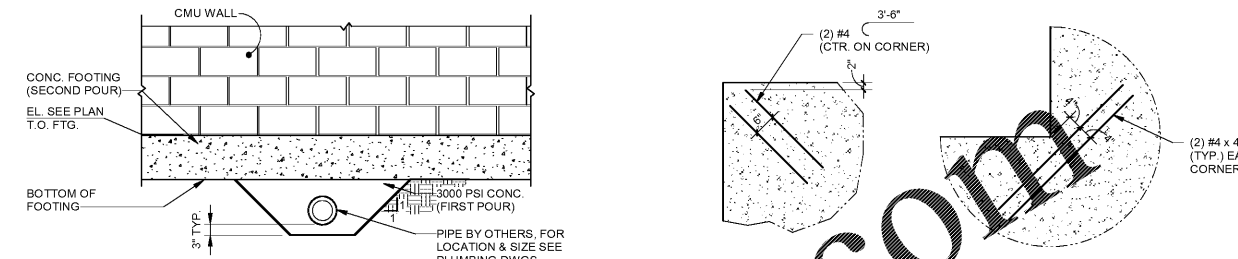


1 TYP. ISO. JOINT AND BLOCKOUT AT INT. COL.
3/4" = 1'-0"



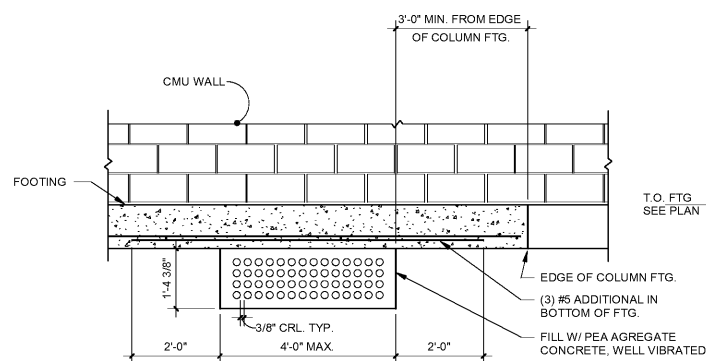
NOTES:
1. BOLT PROJECTION WILL VARY IF THE SETTING BED THICKNESS, BASE PLATE THICKNESS, AND OR ANCHOR BOLT NUT AND WASHER THICKNESSES INCREASE. ADJUST ACCORDINGLY SO THAT THE DISTANCE FROM TOP OF BOLT TO TOP OF NUT IS AT LEAST 1 1/2".

2 ANCHOR BOLT - CAST-IN SETTING DETAIL
3/4" = 1'-0"

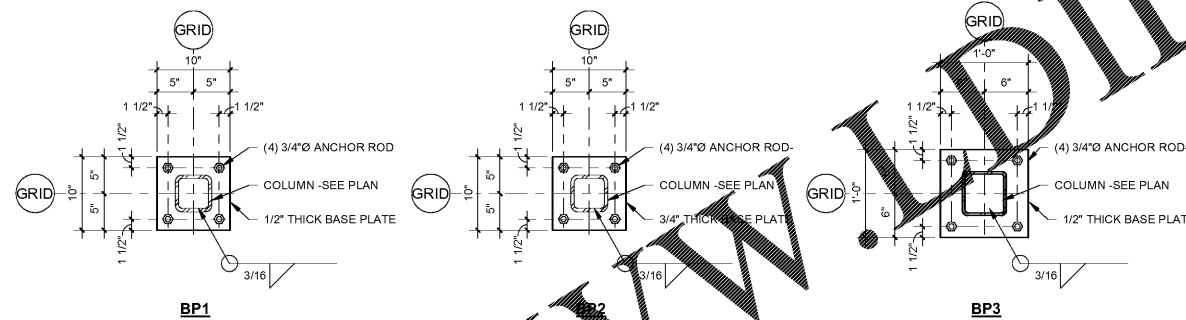


3 TYP. PIPE UNDER FOOTING DETAIL
1/2" = 1'-0"

4 TYP. RE-ENTRANT CORNER DETAIL
1/2" = 1'-0"



5 FOOTING DETAIL AT LARGE CONDUIT BANK
1/2" = 1'-0"



6 TYPICAL BASE PLATE DETAILS
NOT TO SCALE

Order Plans @ www.WDILine.com

HFA
Creative Solutions
Meaningful Places
HARRISON FRENCH
& ASSOCIATES, LTD.
+ 508.528.0770
31 Hayward Street
Franklin, Massachusetts 02038
www.hfa-ae.com

STIPULATION FOR REUSE:
THIS DRAWING WAS PREPARED FOR
MICCO, INC. BEING SITE AT
VSH # 171735. ANY REUSE OF THIS
DRAWING WITHOUT THE WRITTEN
CONSENT OF HARRISON FRENCH
& ASSOCIATES, LTD. IS PROHIBITED.
USE OF THIS DRAWING FOR ANY OTHER
PROJECT IS AT THE USER'S RISK.
HARRISON FRENCH & ASSOCIATES, LTD.
REQUIRES THE SERVICES OF PROPERLY
LICENSED ENGINEERS AND ARCHITECTS.
PROJECT IS NOT AUTHORIZED AND MAY
BE SUBJECT TO THE LAW.

Cumberland
A R M S
Store # 9747
VSH # 171735
Oracle # FL1735
8090 US 1 AND MICCO RD
MICCO, FL 32976
JOB NUMBER: 41-17-00190

ISSUE BLOCK	
CLIENT REVIEW	08/30/19
100%	09/27/19

CHECKED BY: GGB
DRAWN BY: AHM

FOUNDATION
DETAILS AND
SECTIONS
SHEET:
S201

9/27/2019 3:30:48 PM
C:\Users\moham\Documents\2019 Revit Projects\41-17-00190\AMK&FL_CDF_S201_P19_aka.mxd (sheet of 201) FOUNDATION DETAILS AND SECTIONS