

STIPULATION FOR REUSE
 THESE DRAWINGS ARE PREPARED FOR
 THE PROJECT AND SITE SPECIFICALLY
 IDENTIFIED. ANY REUSE OF THESE
 DRAWINGS FOR ANY OTHER PROJECT
 WITHOUT THE WRITTEN PERMISSION OF
 HARRISON FRENCH & ASSOCIATES, LTD.
 IS STRICTLY PROHIBITED. THE USER
 OF THESE DRAWINGS SHALL BE RESPONSIBLE
 FOR OBTAINING ALL NECESSARY
 PERMITS AND APPROVALS FOR THE
 PROJECT AND SHALL BE RESPONSIBLE FOR
 ANY VIOLATIONS OF ANY APPLICABLE
 LAWS, REGULATIONS AND ORDINANCES.
 HARRISON FRENCH & ASSOCIATES, LTD.
 AUTHORIZED AND MAY BE CONTRARY TO
 ANY OTHER DOCUMENTS.

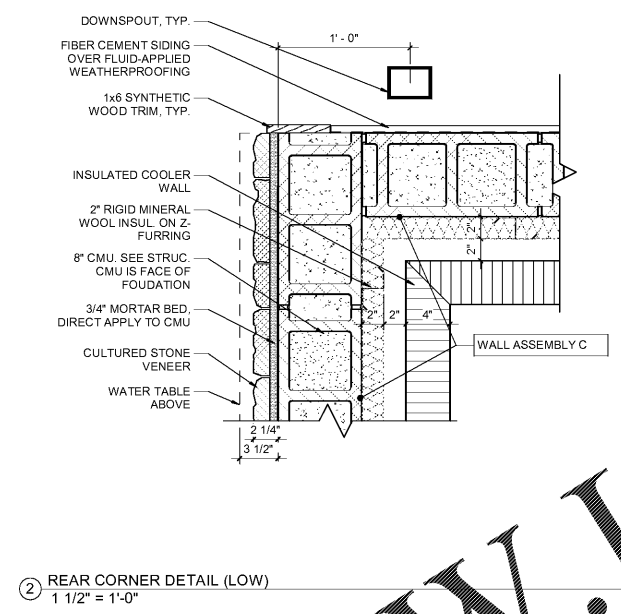
Cumberland
 STORE
 Store Number: 9747
 8090 US 1
 Micco, FL 32976
 JOB NUMBER: 41-17-00190

| ISSUE BLOCK | |
|---------------|----------|
| CLIENT REVIEW | 08/30/19 |
| 100% | 09/27/19 |
| | |
| | |
| | |
| | |

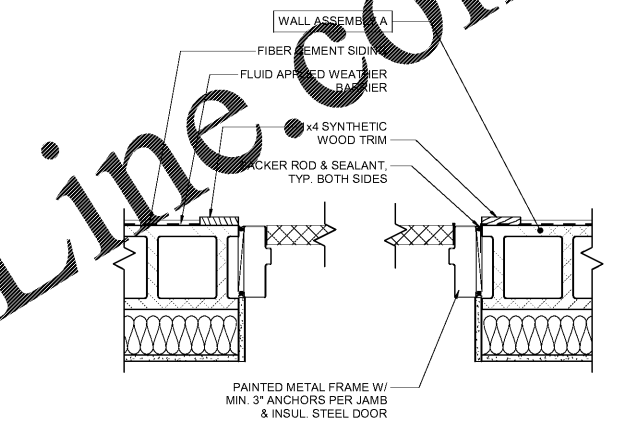
CHECKED BY: JEO
 DRAWN BY: ZC
 DOCUMENT DATE: 9/27/19

PLAN DETAILS

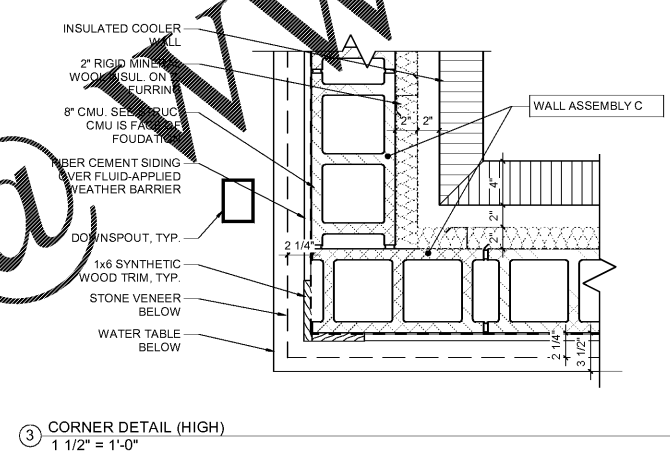
SHEET:
A506



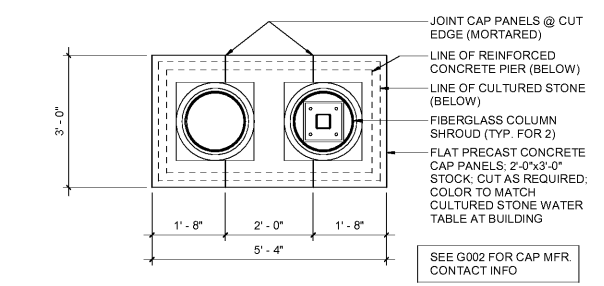
② REAR CORNER DETAIL (LOW)
 1 1/2" = 1'-0"



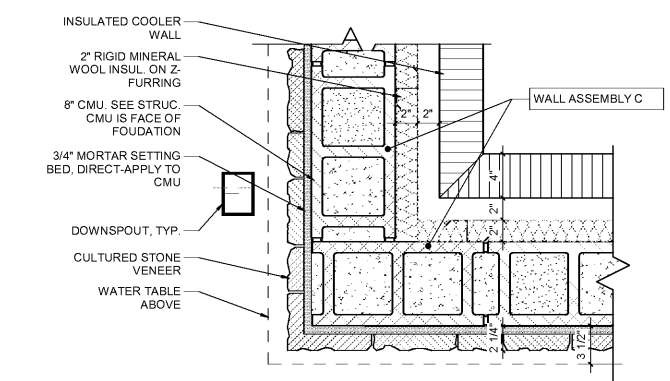
④ EXT. DOOR JAMB DETAIL - CMU
 1 1/2" = 1'-0"



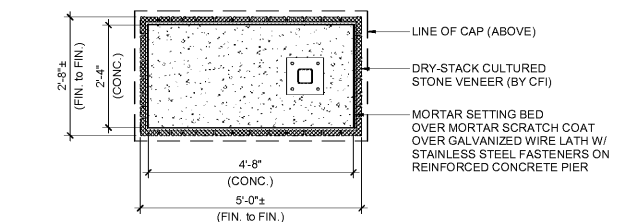
③ CORNER DETAIL (HIGH)
 1 1/2" = 1'-0"



⑥ DOUBLE COLUMN BASE - CAP PLAN
 1 1/2" = 1'-0"



① CORNER DETAIL (LOW)
 1 1/2" = 1'-0"



⑤ DOUBLE COLUMN BASE - PIER PLAN
 1 1/2" = 1'-0"

Order Plans @