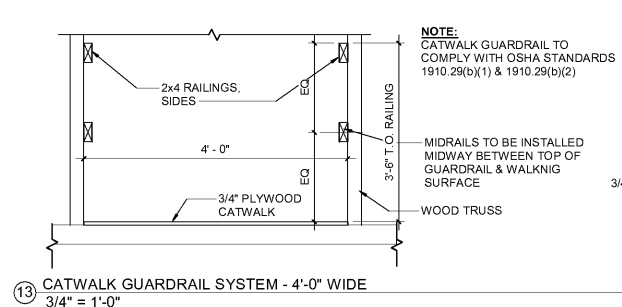
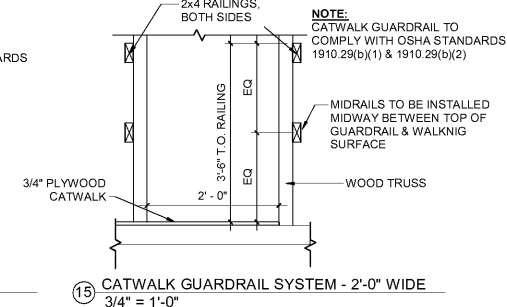


17 DETAIL @ PLATFORM OVER MECH. DUCTING
3/4" = 1'-0"

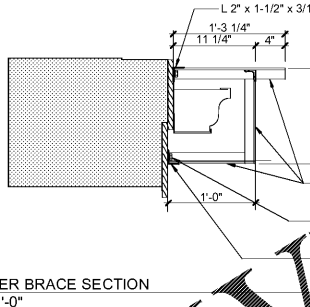
16 DETAIL @ PLATFORM/STAIRS OVER MECH. DUCTING
3/4" = 1'-0"



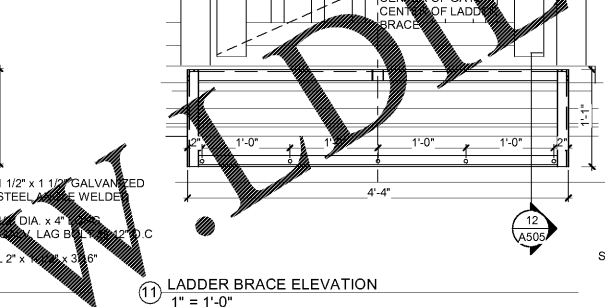
13 CATWALK GUARDRAIL SYSTEM - 4'-0" WIDE
3/4" = 1'-0"



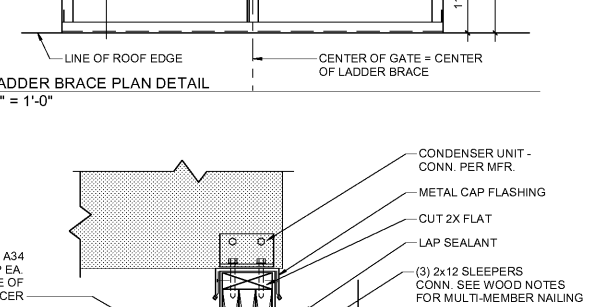
15 CATWALK GUARDRAIL SYSTEM - 2'-0" WIDE
3/4" = 1'-0"



12 LADDER BRACE SECTION
1" = 1'-0"



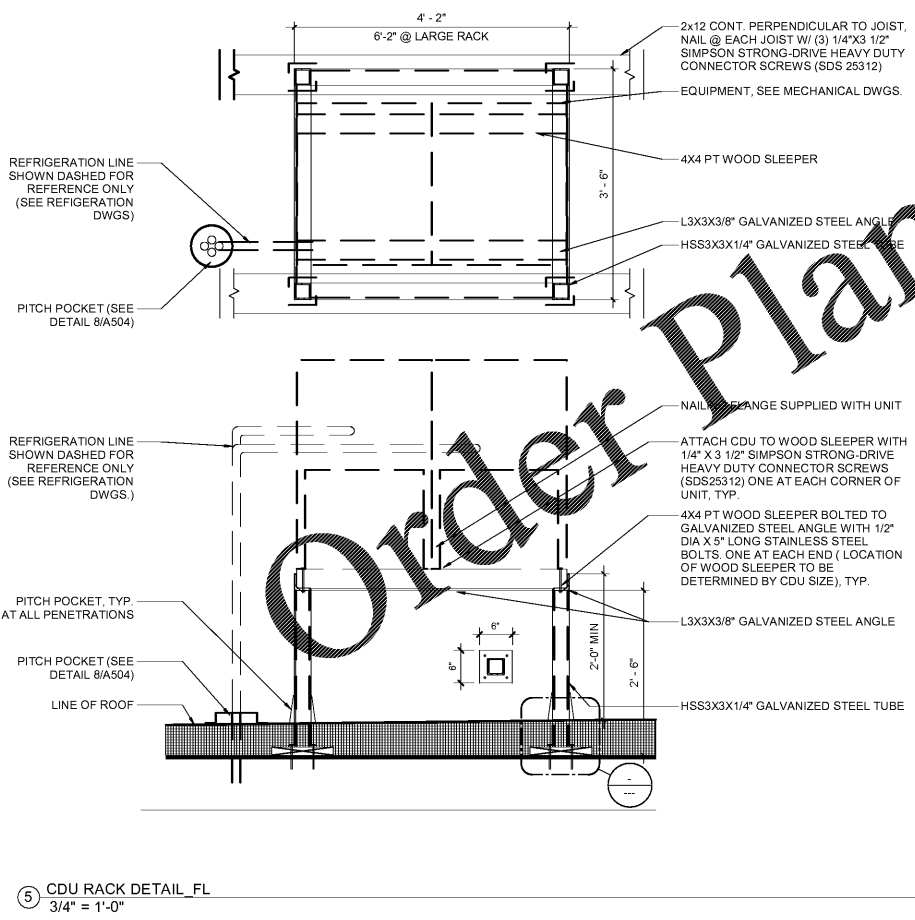
11 LADDER BRACE ELEVATION
1" = 1'-0"



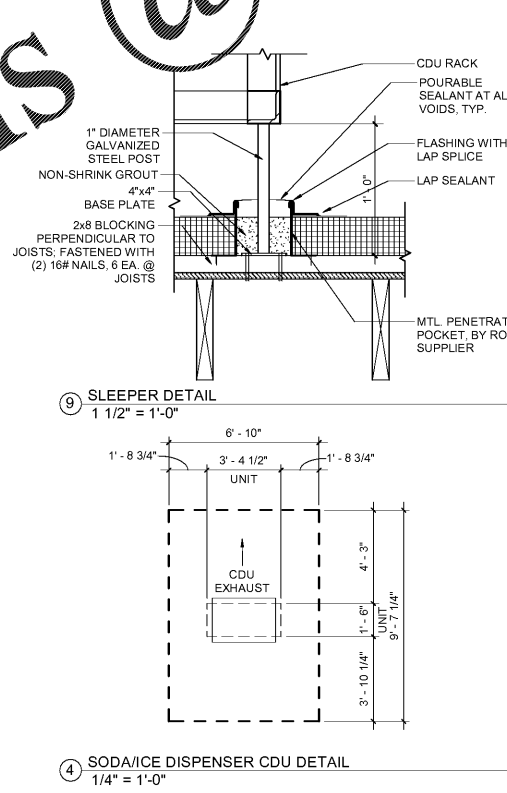
14 DUCT PENETRATION DETAIL
1 1/2" = 1'-0"

10 LADDER BRACE PLAN DETAIL
1" = 1'-0"

18 HUSSMAN CURB DETAIL
1 1/2" = 1'-0"

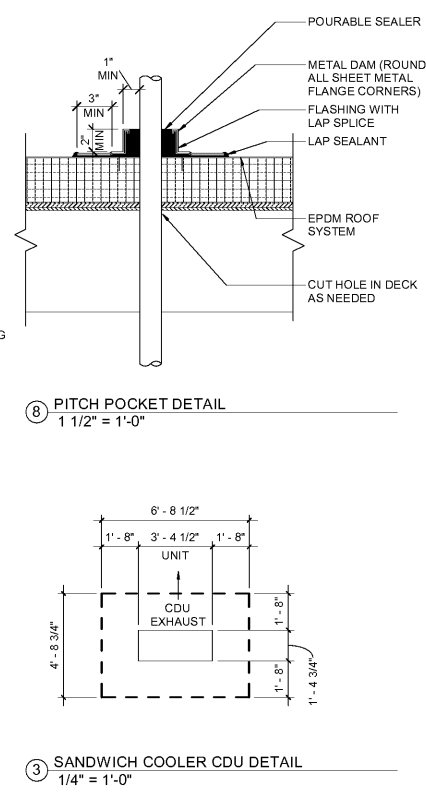


5 CDU RACK DETAIL_FL
3/4" = 1'-0"



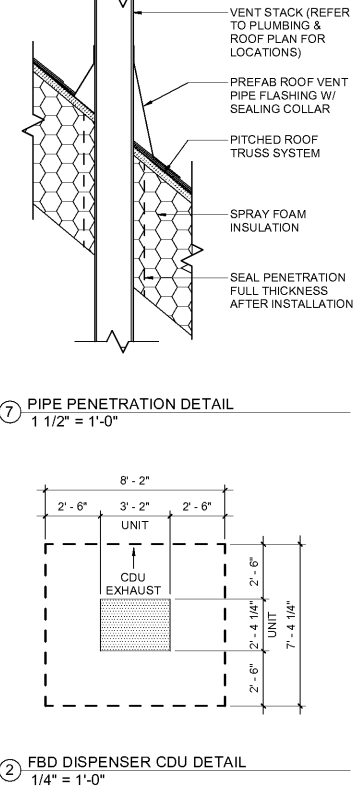
9 SLEEPER DETAIL
1 1/2" = 1'-0"

4 SODA/ICE DISPENSER CDU DETAIL
1/4" = 1'-0"



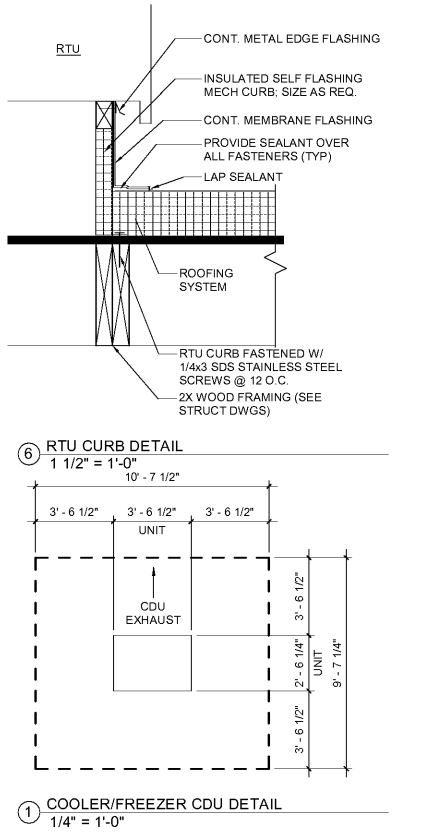
3 SANDWICH COOLER CDU DETAIL
1 1/2" = 1'-0"

3 SANDWICH COOLER CDU DETAIL
1/4" = 1'-0"



2 FB DISPENSER CDU DETAIL
1 1/2" = 1'-0"

2 FB DISPENSER CDU DETAIL
1/4" = 1'-0"



6 RTU CURB DETAIL
1 1/2" = 1'-0"

1 COOLER/FREEZER CDU DETAIL
1/4" = 1'-0"

HFA
HARRISON FRENCH & ASSOCIATES, LTD.
508.528.0770
31 Hayward Street
Franklin, Massachusetts 02038
www.hfa-ac.com

STIPULATION FOR REUSE:
THIS SET OF DRAWINGS IS THE PROPERTY OF HARRISON FRENCH & ASSOCIATES, LTD. AND IS TO BE USED ONLY FOR THE PROJECT AND SITE SPECIFICALLY IDENTIFIED ON THESE DRAWINGS. IT IS TO BE KEPT IN CONFIDENTIALITY AT ALL TIMES AND IS NOT TO BE REPRODUCED, COPIED, OR TRANSMITTED IN ANY MANNER OR FOR ANY PURPOSE OTHER THAN THAT AUTHORIZED BY HARRISON FRENCH & ASSOCIATES, LTD. WITHOUT THE WRITTEN PERMISSION OF HARRISON FRENCH & ASSOCIATES, LTD.

Cumberland
Store Number: 9747
8090 US1
Mico, FL 32976
JOB NUMBER: 41-17-00190

ISSUE BLOCK	
CLIENT REVIEW	08/30/19
100%	09/27/19

CHECKED BY:	JEO
DRAWN BY:	ZC
DOCUMENT DATE:	9/27/19

ROOF DETAILS
SHEET: **A505**