

STIPULATION FOR REUSE:
 THESE DRAWINGS ARE PREPARED FOR THE PROJECT AND SITE SPECIFICALLY. ANY REUSE OF THESE DRAWINGS WITHOUT THE WRITTEN PERMISSION OF HARRISON FRENCH & ASSOCIATES, LTD. IS PROHIBITED. PROJECT SITE OR AT LATER TIME. FOR EXAMPLE ON ANOTHER PROJECT. THESE DRAWINGS ARE THE PROPERTY OF HARRISON FRENCH & ASSOCIATES, LTD. AND SHALL REMAIN THEIR PROPERTY. ANY REUSE OF THESE DRAWINGS FOR ANY OTHER PROJECT WITHOUT THE WRITTEN PERMISSION OF HARRISON FRENCH & ASSOCIATES, LTD. IS PROHIBITED AND MAY BE CONSIDERED AS A VIOLATION OF THE PROFESSIONAL SEAL.

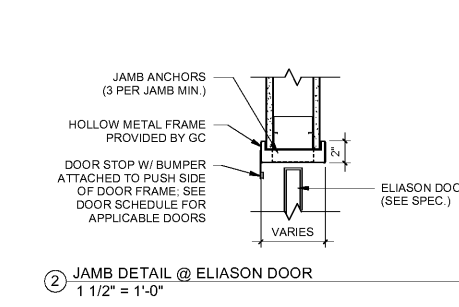
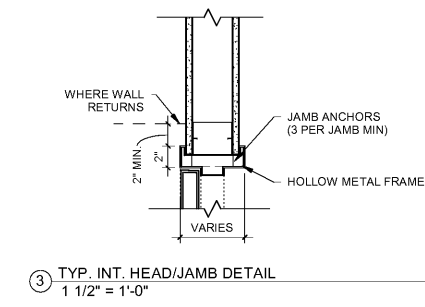
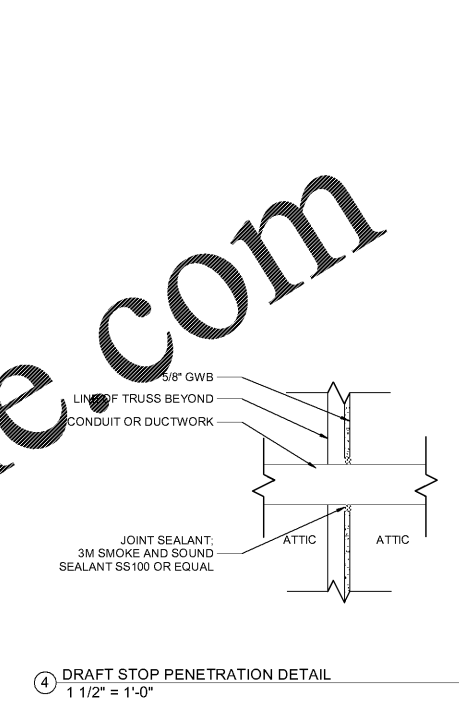
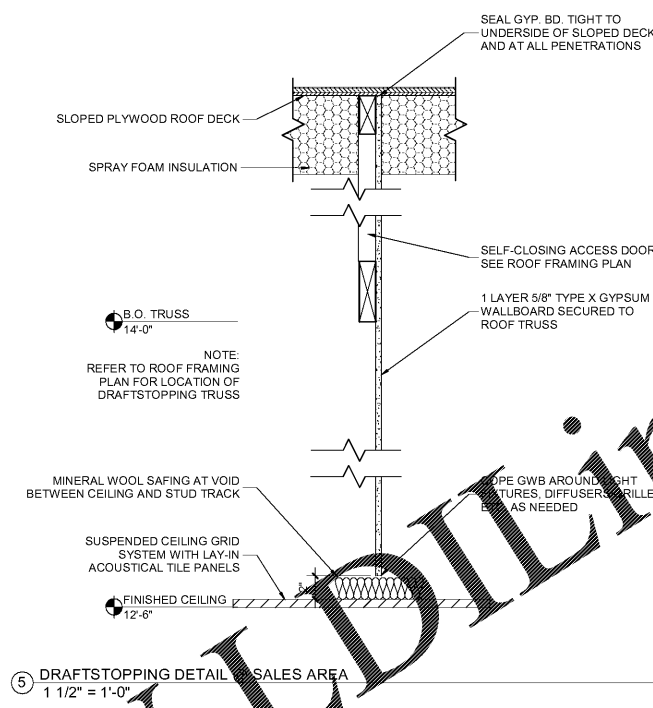
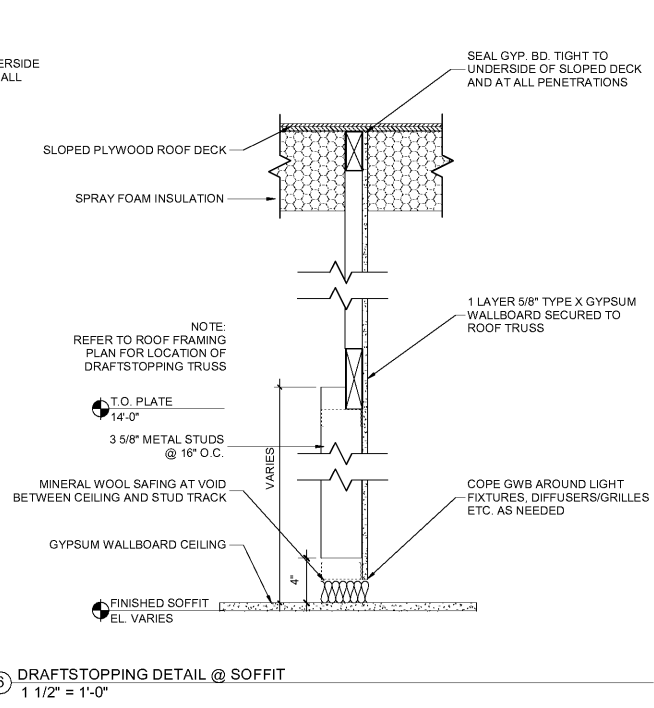
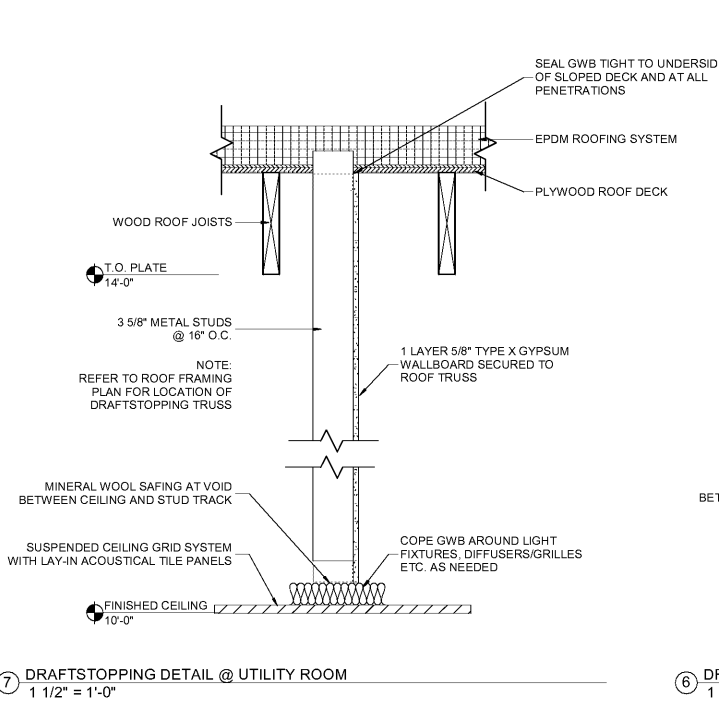
Cumberland
 STORE
 Store Number: 9747
 8090 US 1
 Micco, FL 32976
 JOB NUMBER: 41-17-00190

| ISSUE BLOCK | |
|---------------|----------|
| CLIENT REVIEW | 08/30/19 |
| 100% | 09/27/19 |
| | |
| | |
| | |
| | |
| | |
| | |

CHECKED BY: JEO
 DRAWN BY: ZC
 DOCUMENT DATE: 9/27/19

DOOR & DRAFT STOP DETAILS

SHEET: A501



Order Plans @ www.LDILine.com

9/27/2019 4:17:23 PM
 C:\Users\cm\OneDrive\Documents\Drawings\2019 Rev\Projects\41-17-00190_Micco_FL_A501.dwg\A501.dwg_2.dwg.dwg.dwg.dwg.dwg