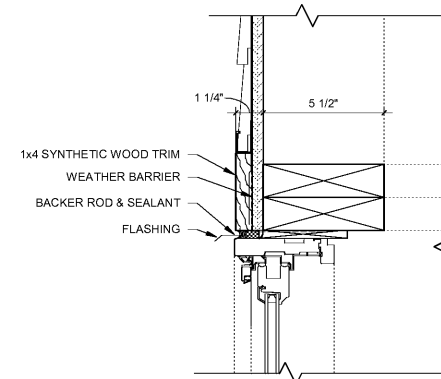
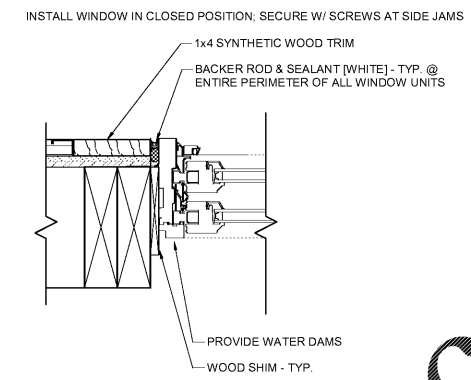


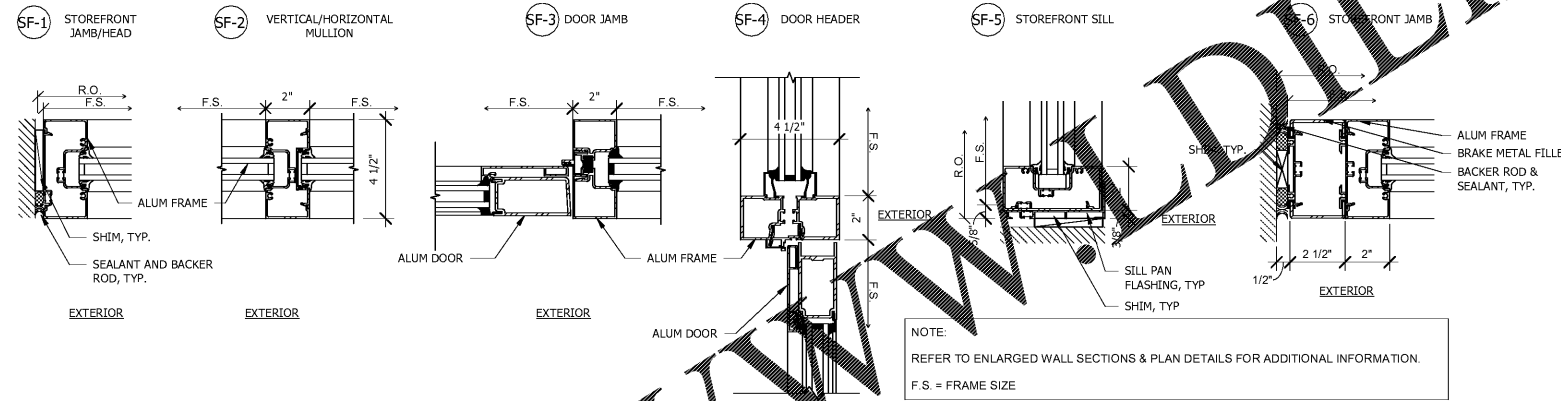
7 SILL DETAIL @ DORMER WINDOW
3" = 1'-0"



6 HEAD DETAIL @ DORMER WINDOW
3" = 1'-0"

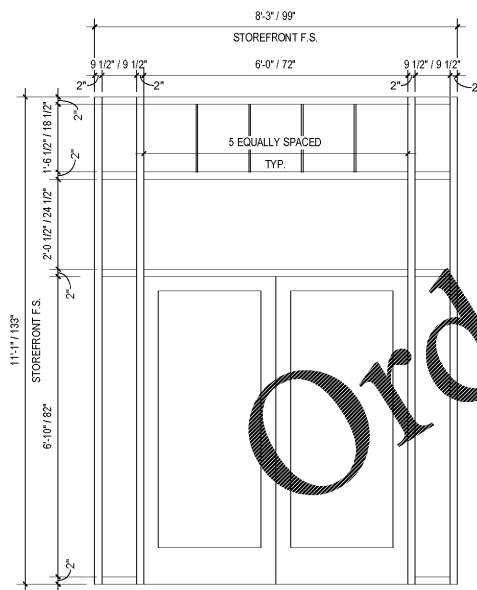


5 PLAN SECTION @ DORMER JAMB
3" = 1'-0"

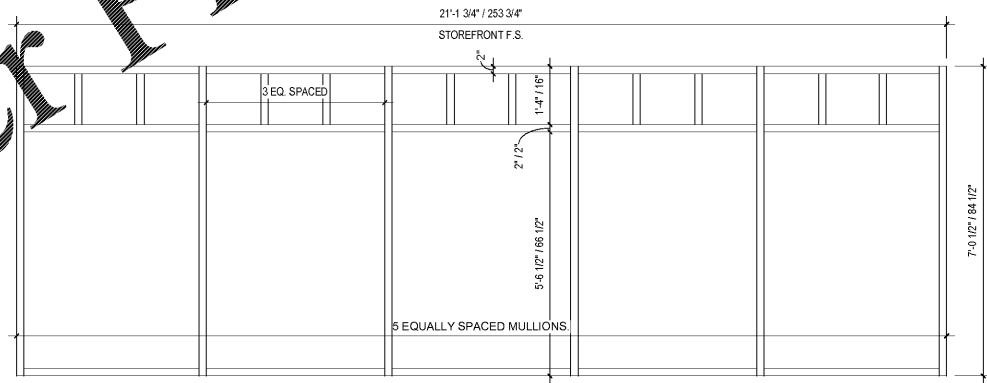


STOREFRONT DETAILS
3" = 1'-0"

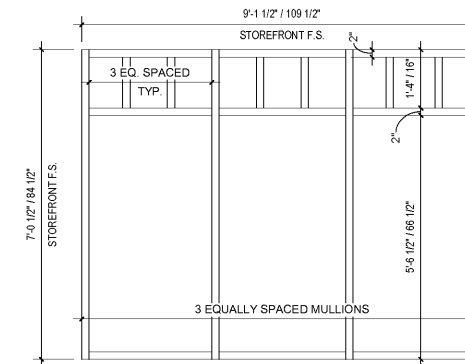
NOTE:
REFER TO ENLARGED WALL SECTIONS & PLAN DETAILS FOR ADDITIONAL INFORMATION.
F.S. = FRAME SIZE



2 STOREFRONT F2 (DOOR)
1/2" = 1'-0"



1 STOREFRONT F3 (WINDOW)
1/2" = 1'-0"



3 STOREFRONT F4 (WINDOW)
1/2" = 1'-0"

ALL GLAZING SHALL BE "IR" IMPACT RESISTANT UNLESS OTHERWISE NOTED

GENERAL NOTES

STOREFRONT / CURTAINWALL:

- STOREFRONT/CURTAINWALL DESIGN TO BE BASED ON LOCAL WIND LOAD REQS. SUBMIT CALCULATIONS WITH SHOP DWGS. MANUFACTURER TO PROVIDE FRAME DESIGN FOR SITES WITH HIGH WIND LOAD REQS.
- ALUM CURTAINWALL SYSTEM SHALL BE "1600 WALL SYSTEM 1" (2 1/2" X 7 1/2") WITH PERIMETER "T" ANCHOR AS MANUFACTURED BY KAWNEER, WITH A FLOUROPOLYMER FINISH, COLOR - "BONE WHITE." ALL ALUM. FRAMING MEMBERS SHALL BE THERMAL BREAK TYPES.
- ALUM STOREFRONT SYSTEM SHALL BE "TRIFAB 4511" (2" X 4 1/2") AS MANUFACTURED BY KAWNEER WITH A FLOUROPOLYMER FINISH, COLOR - "BONE WHITE." ALL ALUM. FRAMING MEMBERS SHALL BE THERMAL BREAK TYPE. ALUM STOREFRONT SYSTEM SHALL BE "TRIFAB 4511" (2" X 4 1/2") AS MANUFACTURED BY KAWNEER WITH A FLOUROPOLYMER FINISH, COLOR - "BONE WHITE." ALL ALUM. FRAMING MEMBERS SHALL BE THERMAL BREAK TYPE.

GLAZING:

- IF PROJECT IS WITHIN ONE MILE OF THE COAST, ALL GLAZING SHALL BE IMPACT RESISTANT GLAZING. SEE SPECIFICATIONS FOR MORE INFO.
- EXTERIOR VESTIBULE GLAZING TO BE 1" THICK.
- INTERIOR VESTIBULE GLAZING TO BE 1/4" THICK.
- 1" INSULATED SPANDREL GLASS AT LOCATIONS INDICATED BY "S"
- TEMPERED GLASS REQUIRED AT LOCATIONS INDICATED BY "T"
- 1 5/16" IMPACT RESISTANCE GLASS AT LOCATIONS INDICATED BY "IR"

PROJECT LOCATED IN A HIGH WIND ZONE: YES

HFA
HARRISON FRENCH & ASSOCIATES, LTD.
508.528.0770
31 Hayward Street
Franklin, Massachusetts 02038
www.hfa-ac.com

STIPULATION FOR REUSE
THIS DOCUMENT IS THE PROPERTY OF HARRISON FRENCH & ASSOCIATES, LTD. IT IS TO BE USED ONLY FOR THE PROJECT AND AT THE LOCATION SPECIFIED ON THE DRAWINGS. IT IS NOT TO BE REPRODUCED, COPIED, OR TRANSMITTED IN ANY FORM OR BY ANY MEANS, ELECTRONIC OR MECHANICAL, INCLUDING PHOTOCOPYING, RECORDING, OR BY ANY INFORMATION STORAGE AND RETRIEVAL SYSTEM. WITHOUT THE WRITTEN PERMISSION OF HARRISON FRENCH & ASSOCIATES, LTD. ANY REUSE OF THIS DOCUMENT FOR ANY OTHER PROJECT OR AT ANY OTHER LOCATION IS STRICTLY PROHIBITED. THE USER OF THIS DOCUMENT AGREES TO HOLD HARRISON FRENCH & ASSOCIATES, LTD. HARMLESS AND TO INDEMNIFY AND HOLD HARRISON FRENCH & ASSOCIATES, LTD. HARMLESS FROM AND AGAINST ALL CLAIMS, DAMAGES, LOSSES AND EXPENSES, INCLUDING REASONABLE ATTORNEY'S FEES, THAT MAY BE ASSERTED AGAINST OR INCURRED BY HARRISON FRENCH & ASSOCIATES, LTD. AS A RESULT OF THE USER'S REUSE OF THIS DOCUMENT.

Cumberland
Store Number: 9747
8090 US 1
Mico, FL 32976
JOB NUMBER: 41-17-00190

ISSUE BLOCK	
CLIENT REVIEW	08/30/19
100%	09/27/19

CHECKED BY:	JEO
DRAWN BY:	ZC
DOCUMENT DATE:	9/27/19

GLAZING ELEVATIONS & DETAILS

SHEET: A500

9/27/2019 4:17:22 PM
C:\Users\cmf\OneDrive\Documents\2019 Rev\Projects\41-17-00190_Mico_FL_A500\DWG\GLAZING_Elevs_Details.dwg
100% CALPINE EDITION 2019