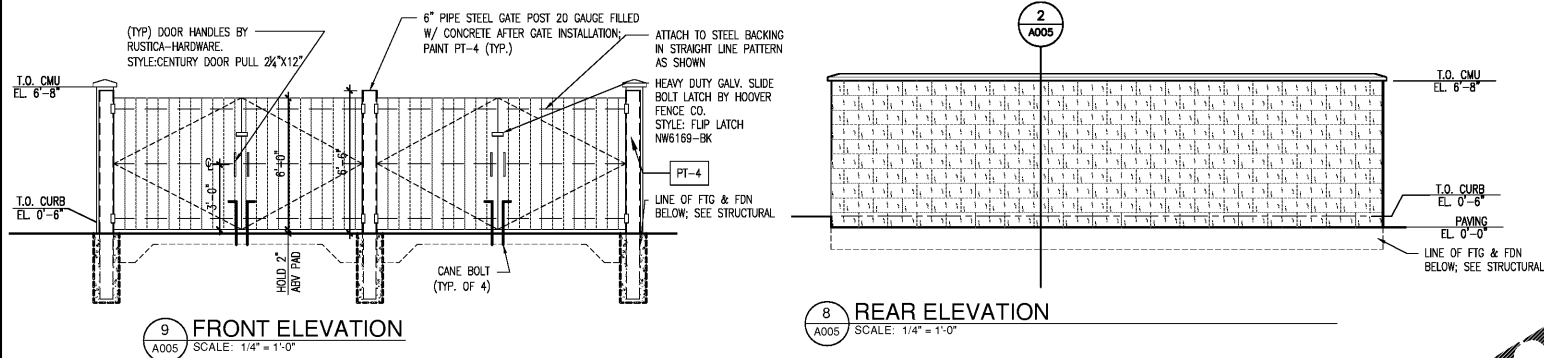


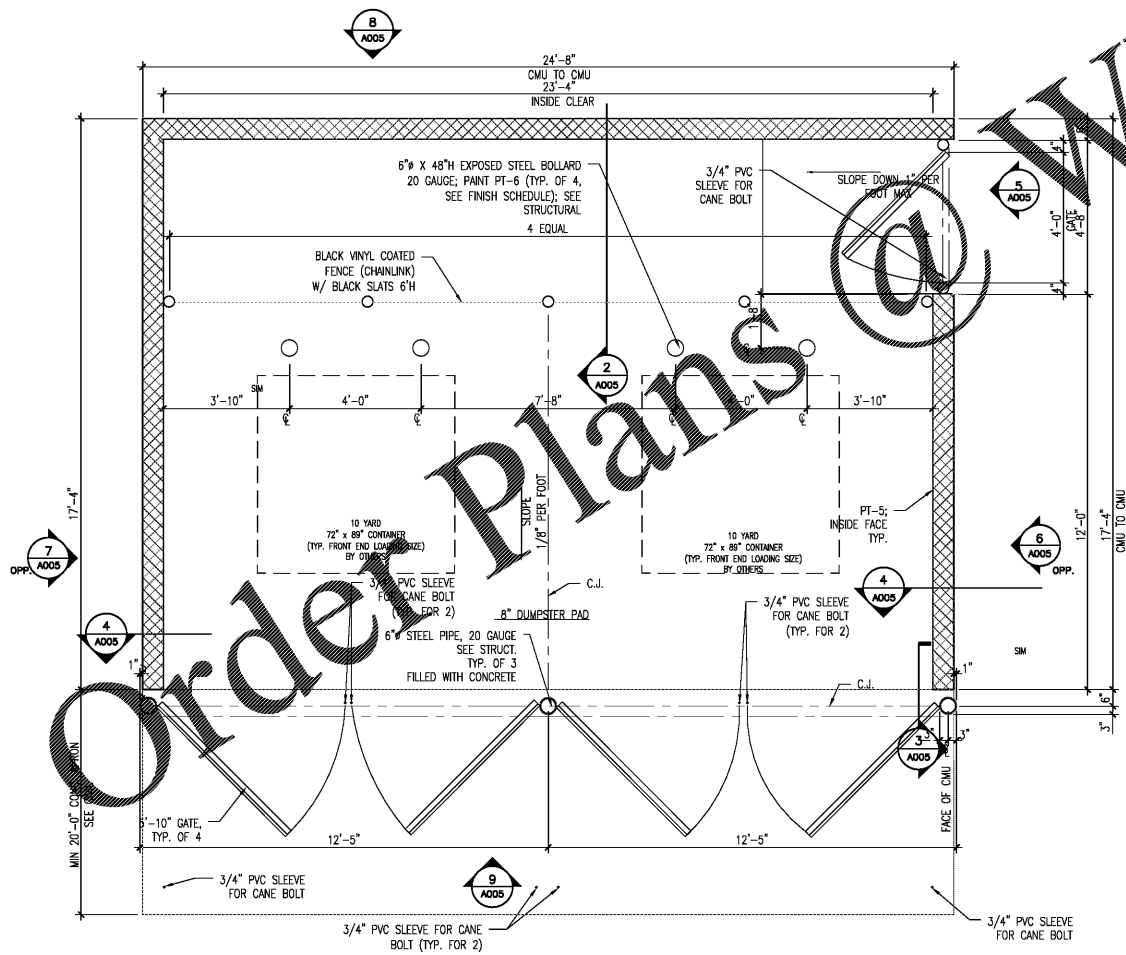
FINISH SCHEDULE					
ANNO #	DESC.	MANUFACTURER	MODEL	COLOR	NOTES
CMU-1	SPLIT FACE CMU			TO COMPLEMENT BUILDING	SUBMIT SAMPLES TO ARCHITECT FOR REVIEW
PT-4	PAINT	SHERWIN WILLIAMS	SW # 7035	AESTHETIC WHITE	METALSTIC DTM SEMI-GLOSS (FOR METAL SURFACES)
PT-5	PAINT	SHERWIN WILLIAMS	SW # 7006	EXTRA WHITE	A100 SATIN FINISH (FOR PLASTIC, CMU, & WD SURFACE)
PT-6	PAINT	SHERWIN WILLIAMS	B66R600	SAFETY YELLOW	PRO INDUSTRIAL ACRYLIC COATING

10 FINISH SCHEDULE  
A005 SCALE: NTS

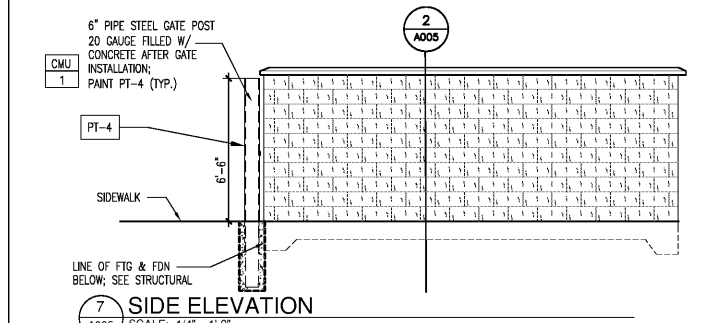


9 FRONT ELEVATION  
A005 SCALE: 1/4" = 1'-0"

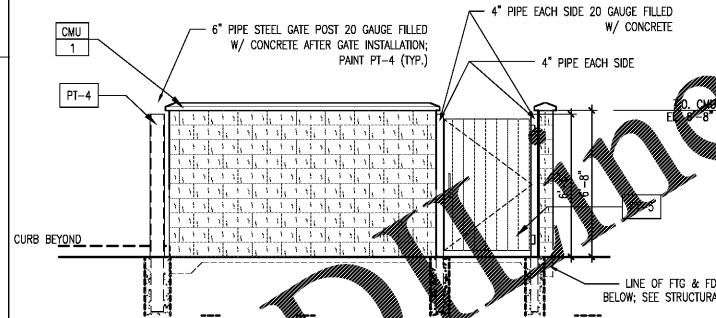
8 REAR ELEVATION  
A005 SCALE: 1/4" = 1'-0"



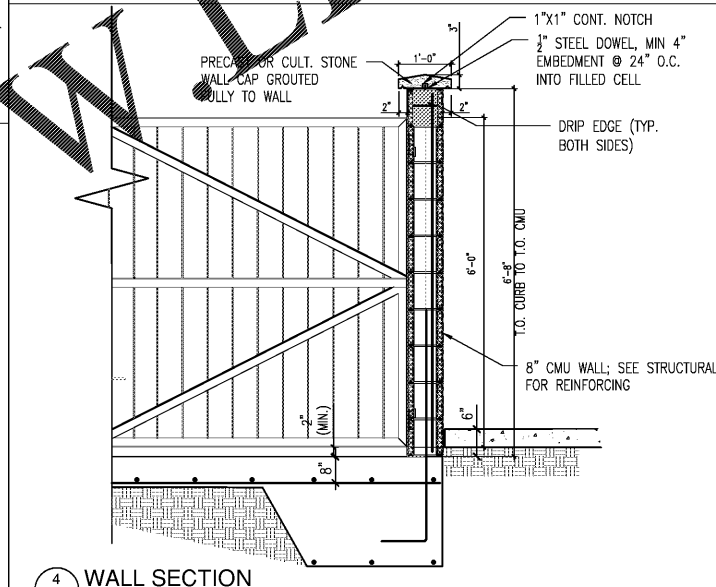
1 ENLARGED FLOOR PLAN @ DUMPSTER ENCLOSURE  
A005 SCALE: 3/8" = 1'-0"



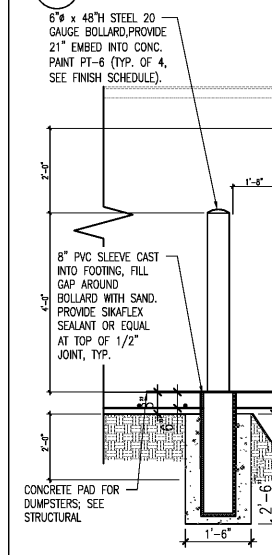
7 SIDE ELEVATION  
A005 SCALE: 1/4" = 1'-0"



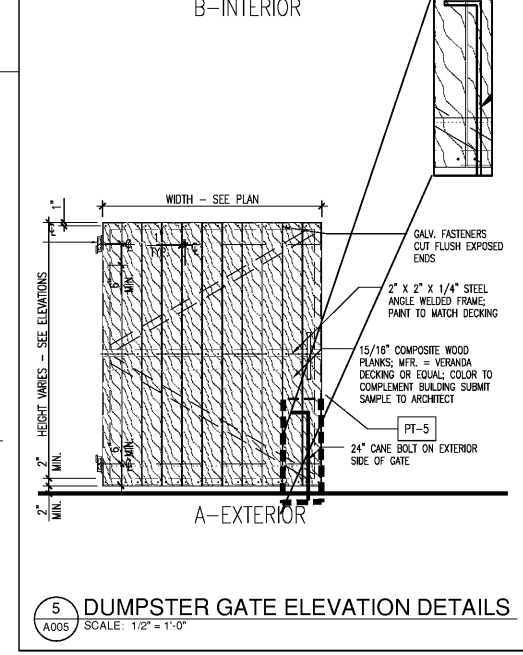
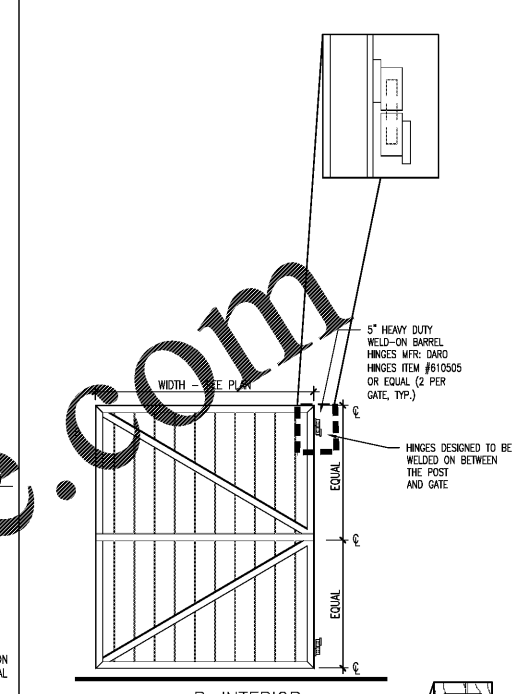
6 SIDE ELEVATION  
A005 SCALE: 1/4" = 1'-0"



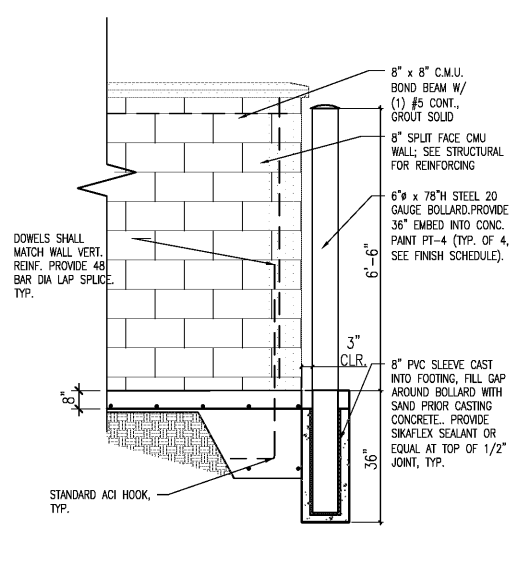
4 WALL SECTION  
A005 SCALE: 1/2" = 1'-0"



2 WALL SECTION @ INTERIOR BOLLARDS  
A005 SCALE: 1/2" = 1'-0"



5 DUMPSTER GATE ELEVATION DETAILS  
A005 SCALE: 1/2" = 1'-0"



3 WALL SECTION  
A005 SCALE: 1/2" = 1'-0"

**HFA**  
HARRISON FRENCH & ASSOCIATES, LTD.  
508.528.0770  
31 Hayward Street  
Franklin, Massachusetts 02038  
www.hfa-ac.com

STIPULATION FOR REUSE  
THIS DOCUMENT IS THE PROPERTY OF HARRISON FRENCH & ASSOCIATES, LTD. IT IS TO BE USED ONLY FOR THE PROJECT AND SITE SPECIFIC TO WHICH IT WAS PREPARED. IT IS NOT TO BE REPRODUCED, COPIED, OR TRANSMITTED IN ANY FORM OR BY ANY MEANS, ELECTRONIC OR MECHANICAL, INCLUDING PHOTOCOPYING, RECORDING, OR BY ANY INFORMATION STORAGE AND RETRIEVAL SYSTEM, WITHOUT THE WRITTEN PERMISSION OF HARRISON FRENCH & ASSOCIATES, LTD. ANY UNAUTHORIZED REUSE OR MODIFICATION OF THIS DOCUMENT IS PROHIBITED AND WILL BE CONSIDERED A VIOLATION OF THE TERMS OF THIS STIPULATION.

**Cumberland**  
Store Number: 9747  
8090 US 1  
Mico, FL 32976  
JOB NUMBER: 41-17-00190

ISSUE BLOCK	
100%	09/27/19

CHECKED BY: JEO  
DRAWN BY: ZC  
DOCUMENT DATE: 9/27/19

DUMPSTER ENCLOSURE DETAILS

SHEET: A005