

**GENERAL NOTES**  
 1. ALL SIDEWALK DETAILS SHOWN ON THIS SHEET APPLY TO ALL SIDEWALKS THAT ARE ADJACENT TO BUILDING.

**HFA**  
 HARRISON FRENCH & ASSOCIATES, LTD  
 508.528.0770  
 31 Hayward Street  
 Franklin, Massachusetts 02038  
 www.hfa-ae.com

**STIPULATION FOR REUSE**  
 THESE DRAWINGS ARE THE PROPERTY OF HARRISON FRENCH & ASSOCIATES, LTD. AND ARE NOT TO BE REPRODUCED OR TRANSMITTED IN ANY FORM OR BY ANY MEANS, ELECTRONIC OR MECHANICAL, INCLUDING PHOTOCOPYING, RECORDING, OR BY ANY INFORMATION STORAGE AND RETRIEVAL SYSTEM, WITHOUT THE WRITTEN PERMISSION OF HARRISON FRENCH & ASSOCIATES, LTD. THIS PERMISSION IS LIMITED TO THE PROJECT AND SITE SPECIFICALLY IDENTIFIED IN THESE DRAWINGS. ANY REUSE OF THESE DRAWINGS FOR OTHER PROJECTS WITHOUT THE WRITTEN PERMISSION OF HARRISON FRENCH & ASSOCIATES, LTD. IS STRICTLY PROHIBITED. UNAUTHORIZED REUSE OF THESE DRAWINGS IS CONSIDERED A VIOLATION OF PROFESSIONAL ETHICS AND MAY BE SUBJECT TO LEGAL ACTION.

**Cumberland**  
 STORE NUMBER: 9747  
 8090 US 1  
 MICO, FL 32976  
 JOB NUMBER: 41-17-00190

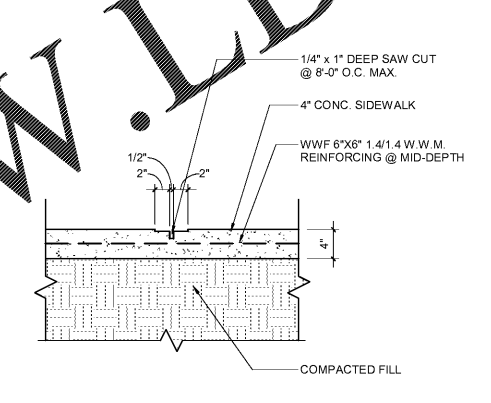
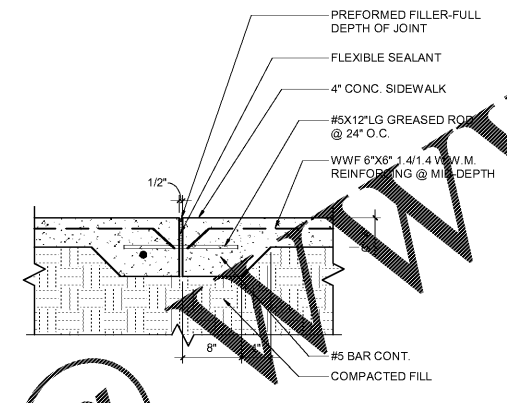
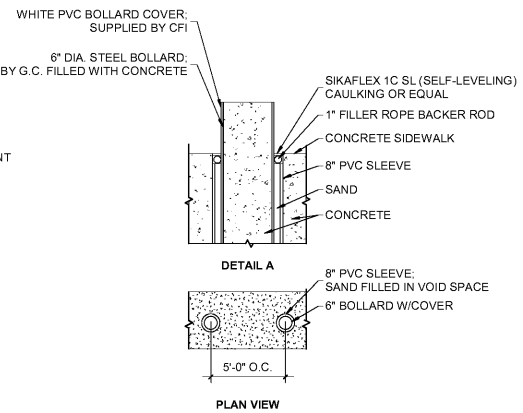
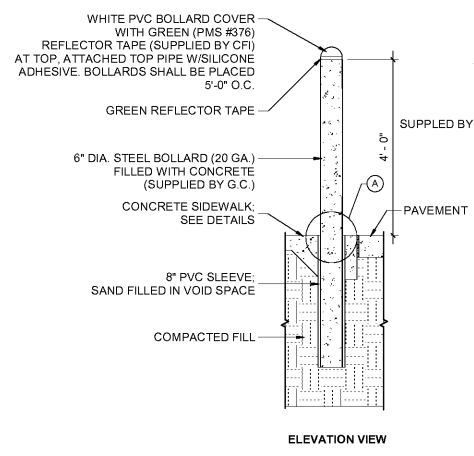
**ISSUE BLOCK**

CLIENT REVIEW	08/30/19
100%	09/27/19

CHECKED BY: JEO  
 DRAWN BY: ZC  
 DOCUMENT DATE: 9/27/19

**SIDEWALK DETAILS**

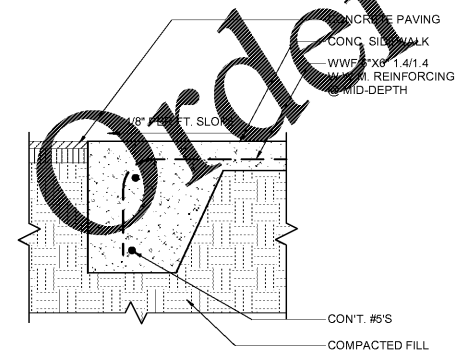
SHEET: **A001.1**



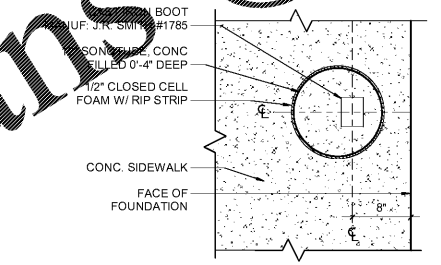
7 BOLLARD SET IN CONCRETE WALK  
 1/2" = 1'-0"

4 DETAIL @ SIDEWALK EXPANSION JOINT  
 1" = 1'-0"

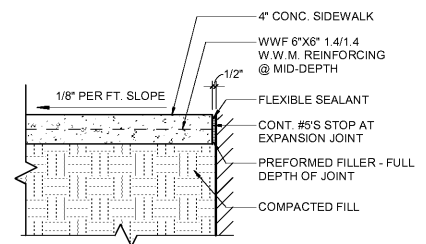
5 DETAIL @ SIDEWALK CONTROL JOINT  
 1" = 1'-0"



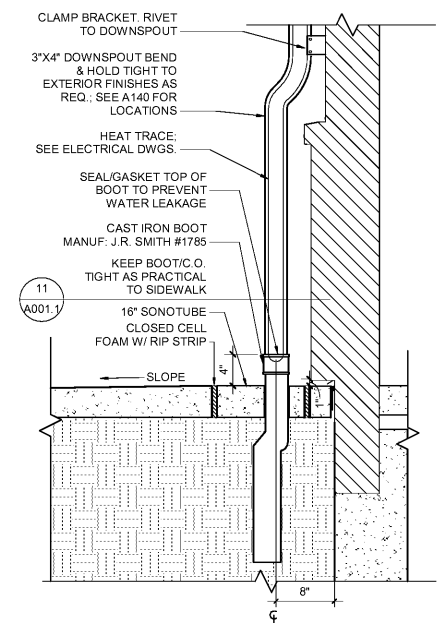
4 DETAIL @ SIDEWALK & FLUSH CURB  
 1" = 1'-0"



11 PLAN VIEW @ GUTTER/DS CONNECTION  
 1" = 1'-0"



3 DETAIL @ SIDEWALK/BUILDING WALL  
 1" = 1'-0"



2 DETAIL SECTION @ GUTTER/DS CONNECTION  
 1" = 1'-0"

9/27/2019 11:11:21 AM  
 C:\Users\cmh\OneDrive\Documents\Drawings\19 Rev\Projects\41-17-00190\_Mico\_FL\_A001.1.dwg  
 41-17-00190\_Mico\_FL\_A001.1.dwg