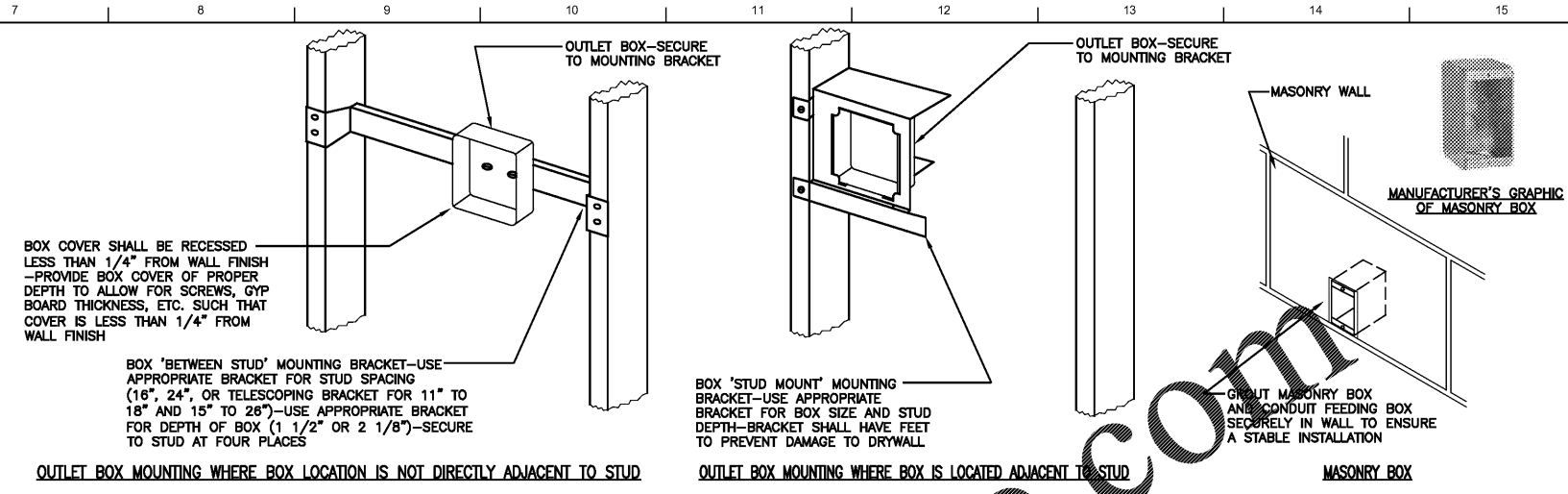


1 ELECTRICAL EQUIPMENT DEDICATED SPACE AND WORKING CLEARANCE
 E402 SCALE: NOT TO SCALE

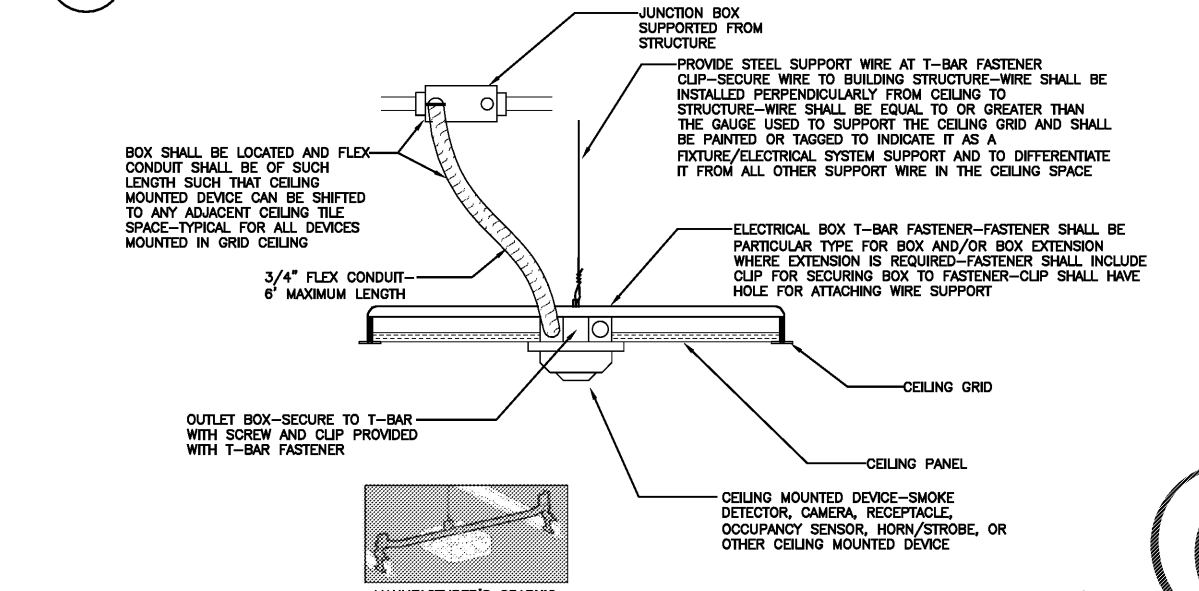
DEDICATED SPACE REQUIREMENTS
 ELECTRICAL CONTRACTOR SHALL VERIFY EXACT ELECTRICAL EQUIPMENT LOCATION IN FIELD WITH EXISTING CONDITIONS AND WITH OTHER EQUIPMENT INSTALLED BY OTHER CONTRACTORS TO ENSURE COMPLIANCE WITH THE NEC DEDICATED SPACE AND WORKING CLEARANCE REQUIREMENTS.

WORKING CLEARANCE REQUIREMENTS
 ELECTRICAL EQUIPMENT WHICH IS LIKELY TO REQUIRE EXAMINATION, ADJUSTMENT, SERVICING OR MAINTENANCE-THIS INCLUDES BUT IS NOT LIMITED TO PANELBOARDS, FUSED DISCONNECTS, CONTROLLERS, AND CONTROLS ON HVAC EQUIPMENT



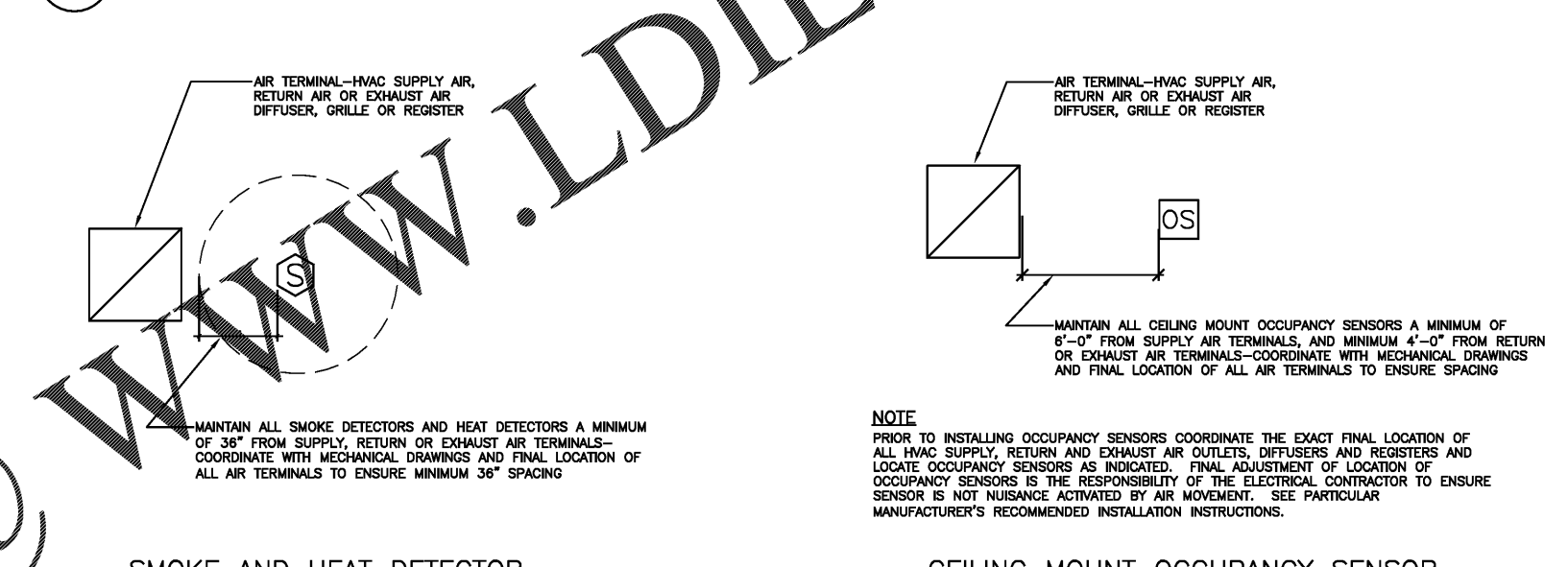
2 OUTLET BOX MOUNTING
 E402 SCALE: NOT TO SCALE

NOTES
 1- MOUNTING BOXES TO CONDUIT ATTACHED TO STUD WITH WIRE IS NOT ALLOWED. PROVIDE SUITABLE BRACKET INTENDED FOR THE PURPOSE OF BOX MOUNTING.
 2- OUTLETS SHALL BE MOUNTED AT LOCATIONS ON PLAN OR AS DIRECTED BY ARCHITECT OR OWNER. DO NOT MOUNT OUTLETS TO STUD UNLESS OUTLETS ARE SHOWN IN THAT LOCATION.
 3- RECEPTACLES AND TELECOM OUTLETS SHOWN ADJACENT ON PLANS SHALL BE MOUNTED 8" ON CENTER HORIZONTALLY.
 4- 'OLD WORK' TYPE BOXES ARE NOT ALLOWED.



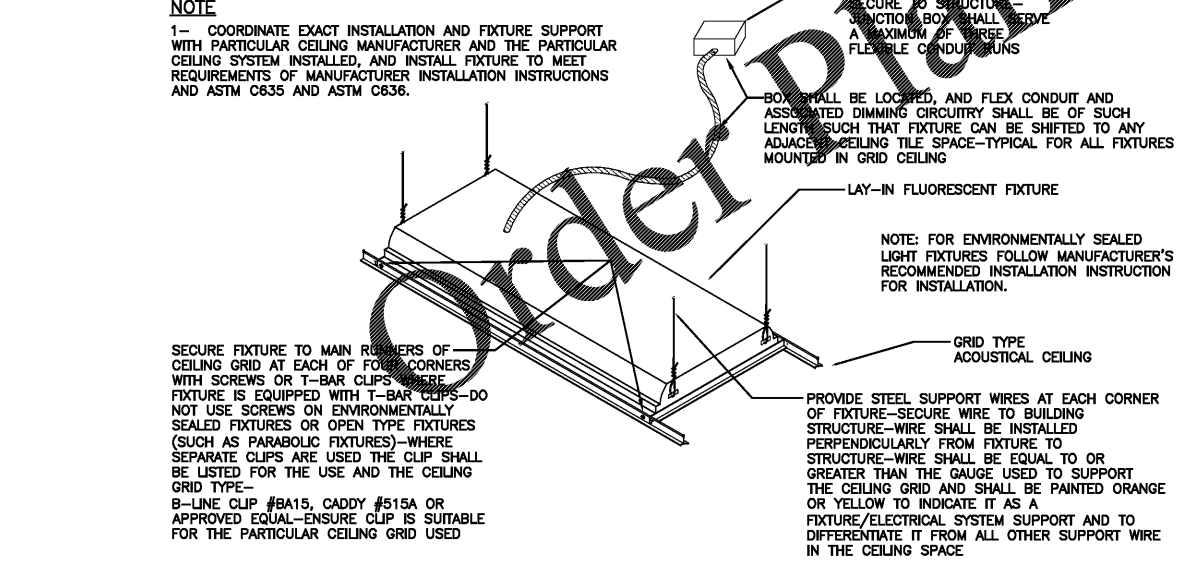
3 CEILING MOUNTED DEVICE
 E402 SCALE: NOT TO SCALE

NOTE
 1- COORDINATE EXACT INSTALLATION AND FIXTURE SUPPORT WITH PARTICULAR CEILING MANUFACTURER AND THE PARTICULAR CEILING SYSTEM INSTALLED, AND INSTALL FIXTURE TO MEET REQUIREMENTS OF MANUFACTURER INSTALLATION INSTRUCTIONS AND ASTM C635 AND ASTM C636.



4 SMOKE AND HEAT DETECTOR CLEARANCE FROM AIR TERMINALS
 E402 SCALE: NOT TO SCALE

NOTE
 PRIOR TO INSTALLING OCCUPANCY SENSORS COORDINATE THE EXACT FINAL LOCATION OF ALL HVAC SUPPLY, RETURN AND EXHAUST AIR OUTLETS, DIFFUSERS AND REGISTERS AND LOCATE OCCUPANCY SENSORS AS INDICATED. FINAL ADJUSTMENT OF LOCATION OF OCCUPANCY SENSORS IS THE RESPONSIBILITY OF THE ELECTRICAL CONTRACTOR TO ENSURE SENSOR IS NOT NUISANCE ACTIVATED BY AIR MOVEMENT. SEE PARTICULAR MANUFACTURER'S RECOMMENDED INSTALLATION INSTRUCTIONS.



5 LAY-IN LIGHT FIXTURE INSTALLATION
 E402 SCALE: NOT TO SCALE

LORD AECK SARGENT
 A KATERRA COMPANY
 © 2019 Lord Aeck Sargent
 Unless otherwise stated, all information in this document is the sole property of Lord Aeck Sargent and is to be returned upon demand. The information herein is confidential and may not be used for any other project without the written permission of Lord Aeck Sargent.

Kramer Engineering Services
 5517 Cascade Dr.
 Chapel Hill, NC 27514
 TEL: (919) 953-3350
 email: donna@keapl.com
 Firm License: P-1089

REVISION:

SHEET TITLE: **DETAILS**

UNC SCHOOL OF MEDICINE
 NEUROSCIENCES RESEARCH BUILDING
 7th & 8th FLOORS FOR DERMATOLOGY
 LOCATION: 15 Marion Fyfe Road, Campus Box 7250
 Chapel Hill, North Carolina 27599-7250

ISSUE DATE: 9/25/2019
 JOB NO: 10761-00
 DWG NO: E402

SEAL: DONNA D. KRAMER, ENGINEER, 14917, 9/25/2019

BID SET