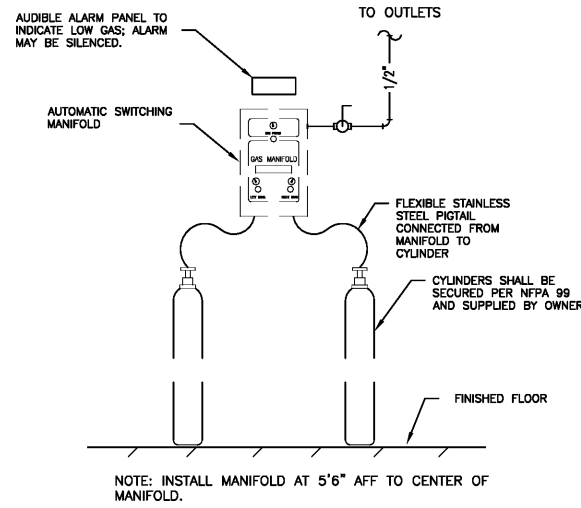
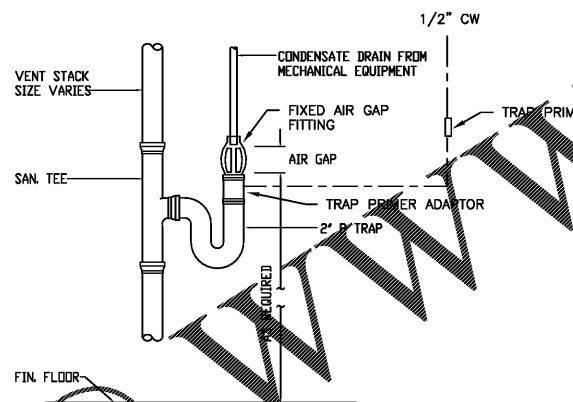


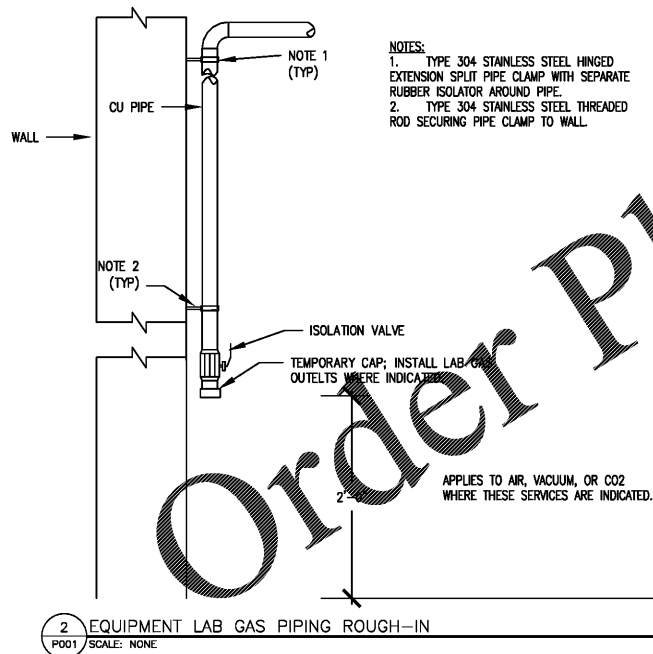
ID	DESCRIPTION	HW	CW	WASTE	VENT
SK-1 & SK-2	LAB SINK AND TRIM PROVIDED UNDER DIVISION 12. ROUGH-IN AND FINAL CONNECTIONS UNDER DIVISION 22. THIS CONTRACTOR TO PROVIDE ROUGH-IN AND CONNECTIONS AS FOLLOWS. CHEMICAL-RESISTANT POLYPROPYLENE DEEP SEAL-P-TRAP WITH UNIONS. ANGLE STOPS WITH 0.5" SWEAT INLET AND FLEXIBLE TUBE RISER. FAUCET SHALL BE DECK-MOUNT, MIXING FAUCET WITH VACUUM BREAKER.	1/2"	1/2"	2"	1-1/2"
SK-3	SINGLE COMPARTMENT ADA COMPLIANT SINK: #20 GA MFR-ELKAY MODEL PSLVR OR EQUAL BY JUST OR GRIFFIN. COMPARTMENT 16"X11.5"X6.125"D; SELF-RIMMING & SOUND DEADENING ON BOTTOM. TWO FAUCET HOLES ON 4" CENTERS. BASKET STRAINER. MFR: EBC SB80, MCGUIRE 151-A, OR SANITARY DASH SS3000W. FAUCET: POLISHED CHROME PLATED, SOLID BRASS BODY, 8" SWING SPOUT, SINGLE HANDLE W/SPRAY ATTACHMENT. MFR: DELTA HDF 400-WF-ELHDF; ELKAY LK-4101 OR T&S B-2730 P-TRAP: 1-1/2" 17GA TUBULAR, W/ TUBING DRAIN TO WALL, WALL FLANGE, CAST BRASS SLIP NUTS, AND CLEANOUT PLUG. MFR: EBS TA 150, MCGUIRE 8912, OR SANITARY DASH R-871. ANGLE STOPS WITH 0.5" SWEAT INLET AND FLEXIBLE TUBE RISER.	1/2"	1/2"	1-1/2"	1-1/2"
EW-1	EMERGENCY EYEWASH AT NEW SINK, PROVIDED UNDER DIVISION 12. ROUGH-IN AND FINAL CONNECTIONS UNDER DIVISION 22. EXTEND TEMPERED WATER FROM NEW THERMOSTATIC MIXING VALVE. ANGLE STOP WITH 0.5" SWEAT INLET.		1/2" TEMPERED		
PW-1	PURE WATER FAUCET PROVIDED UNDER DIVISION 12. ROUGH-IN AND FINAL CONNECTIONS UNDER DIVISION 22. INSTALL PURE WATER, BALL-TYPE, SHUT-OFF FIXTURE STOP.		1/2" DW		
ES-1	ACCESSIBLE EMERGENCY DRENCH SHOWER PROVIDED UNDER DIVISION 12. DIVISION 22 CONTRACTOR SHALL ROUGH-IN HOT AND COLD WATER TO MIXING VALVE AND EXTEND TEMPERED WATER TO SHOWER CONTROLLER AND SHOWER HEAD. MOUNT CONTROLLER SO THAT TOP OF PULL-DOWN BAR IS 48" AFF.		1" TEMPERED		
TMV-1	MULTI-FIXTURE THERMOSTATIC MIXING VALVE. MINIMUM 32 GPM FLOW AT 30 PSI PRESSURE DROP. INSTALL IN ACCESSIBLE LOCATION. PRE-PIPED WITH INLET/OUTLET SHUT-OFF VALVES AND WALL MOUNTING BRACKET. DIAL THERMOMETER, BUILT-IN COLD WATER BYPASS. FACTORY SET TO 85°F, ADJUSTABLE FROM 65°F TO 90°F. INTEGRAL STRAINER CHECKSTOPS. BRADLEY S19-2100-B-P OR EQUAL BY WATERSAVER, HAWS, OR LEONARD.	1"	1" TEMPERED WATER OUTLET		
EW-1	ELECTRIC WATER COOLER WITH SENSOR-OPERATED WATER FILLER. 8.0 GPH CHILLER, ANTIMICROBIAL BUBBLER AND DRAIN, WALL-MOUNT DESIGN, ADA DESIGN WHEN INSTALLED AT PROPER MOUNTING HEIGHT. PROVIDE WITH OPTIONAL CANE SKIRT. UNIT SHALL HAVE REPLACEABLE FILTER INSTALLED WITH 3,000 GALLON CAPACITY. ELKAY MODEL LZS8WSP OR EQUIVALENT BY HAWS, OR HALSEY-TAYLOR.	1/2"		1-1/4"	1-1/4"
NOTES	1. CUT-OUTS FOR OUTLETS AT LAB SINKS AND PIPE RISERS SHALL BE BY LAB CASEWORK SUPPLIER.				



1 CYLINDER GAS MANIFOLD
P001 SCALE: NO SCALE



3 INDIRECT WASTE HUB DRAIN
P001 SCALE: NO SCALE



2 EQUIPMENT LAB GAS PIPING ROUGH-IN
P001 SCALE: NO SCALE

ALTERNATES
1. REFER TO SPECIFICATIONS SECTIONS 01 22 00 AND 01 23 00 FOR UNIT PRICING AND ALTERNATES.

ALTERNATE 1 IS FOR UNIT PRICING FOR SELECTIVE DEMOLITION AND REPLACEMENT OF A LAB BENCH TOPS. PLUMBING CONTRACTOR SHALL INCLUDE PRICING FOR REMOVAL AND REINSTALLATION OF ONE SET OF LAB GAS TURRET OUTLETS INCLUDING COMPRESSED AIR, VACUUM, AND NATURAL GAS.

ALTERNATE 1A IS FOR UNIT PRICING FOR SELECTIVE DEMOLITION AND REPLACEMENT OF A LAB BENCH SINK UNIT. PLUMBING CONTRACTOR SHALL INCLUDE REMOVAL AND REINSTALLATION OF EXISTING HOT AND COLD WATER FAUCET, PURE WATER FAUCET, AND EMERGENCY EYEWASH FIXTURE. REMOVE AND REPLACE EXISTING SINK WASTE TRAP EXCEPT THAT GLASS WASTE TRAPS MAY BE REINSTALLED WITH NEW COUPLINGS.

GENERAL RENOVATION NOTES

1. IT IS THE INTENT THAT THE FACILITIES WILL CONTINUE TO BE OCCUPIED THROUGHOUT THE RENOVATION. AS SUCH, DISRUPTIONS IN SERVICE OUTSIDE OF AREAS UNDER ACTIVE CONSTRUCTION SHALL BE LIMITED AND SCHEDULED AT LEAST TWO WEEKS IN ADVANCE. THIS INCLUDES DISRUPTIONS TO OTHER FLOORS.

2. NOISE AND DUST GENERATING ACTIVITIES SHALL BE KEPT TO A MINIMUM.

3. REFER ALSO TO GENERAL AND SUPPLEMENTARY CONDITIONS.

GENERAL PLUMBING NOTES

1. PLUMBING CONTRACTOR SHALL COORDINATE THE INSTALLATION OF PIPING AND MATERIALS WITH THE WORK OF OTHER TRADES TO MAINTAIN REQUIRED SERVICE ACCESS AROUND AND IN FRONT OF VALVES, CONTROLS, MANUAL OR AUTOMATIC DAMPERS, TERMINAL BOXES, ETC.

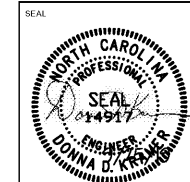
PLUMBING LEGEND

- HOT WATER RECIRCULATING LINE
- HOT WATER
- COLD WATER
- TEMPERED WATER
- LABORATORY COMPRESSED AIR
- NATURAL GAS
- LAB VACUUM
- 1" D --- INDIRECT DRAIN
- DISTILLED WATER
- CRW --- CHEMICAL RESISTANT WASTE PIPING
- CRV --- CHEMICAL RESISTANT VENT PIPING
- CO2 --- CO2
- LAB GAS OR WATER OUTLET. A, V, G, OR CO2 DESIGNATES AIR, VACUUM, GAS, OR CO2 PIPING
- BALL VALVE
- GATE VALVE
- PRESSURE REGULATING VALVE
- CHECK VALVE
- GLOBE VALVE
- TMV --- THERMOSTATIC MIXING VALVE
- PIPE UNION
- PIPE ELBOW DOWN
- PIPE ELBOW UP
- FCO --- FLOOR CLEANOUT
- WCO --- WALL CLEANOUT
- FD --- FLOOR DRAIN
- FS --- FLOOR SINK
- QB --- WATER HAMMER ARRESTOR, PDI SIZE 'B'
- CONCENTRIC TRANSITION
- HD --- HUB DRAIN WITH P-TRAP

GENERAL LEGEND

- PLAN DETAIL NO.
- DRAWING NUMBER
- ① --- KEYED NOTE NUMBER
- 1 --- REVISION NUMBER
- CONNECT NEW TO EXISTING
- PIPING OR EQUIPMENT TO BE DEMOLISHED
- PIPING OR EQUIPMENT SHOWN WITH A SCREENED LINETYPE OR DESIGNATED WITH AN 'X-' IS EXISTING

PLUMBING SHEET INDEX	
P001	PLUMBING LEGEND, DETAILS AND SCHEDULES
PD107	SEVENTH FLOOR PLAN - PLUMBING DEMOLITION
PD108	EIGHTH FLOOR PLAN - PLUMBING DEMOLITION
P107	SEVENTH FLOOR PLAN - PLUMBING WORK
P108	EIGHTH FLOOR PLAN - PLUMBING WORK



Kramer Engineering Services, PLLC
5517 Cascade Dr.
Chapel Hill, NC 27514
TEL: (919) 933-3350
email: Donna@KESpllc.com
Firm License: P-1099



REVISION

PLUMBING LEGEND, DETAILS AND SCHEDULES

UNC SCHOOL OF MEDICINE
NEUROSCIENCES RESEARCH BUILDING
7th & 8th FLOORS FOR DERMATOLOGY

ISSUE DATE: 09/25/2019
JOB NO.: 10761-00
DWG NO.: P001

LORD AECK SARGENT
A KATERRA COMPANY
© 2018 Lord Aeck Sargent
Unless otherwise agreed to in writing, this document is the sole property of Lord Aeck Sargent and may not be used or divulged without the written permission of Lord Aeck Sargent.

BID SET