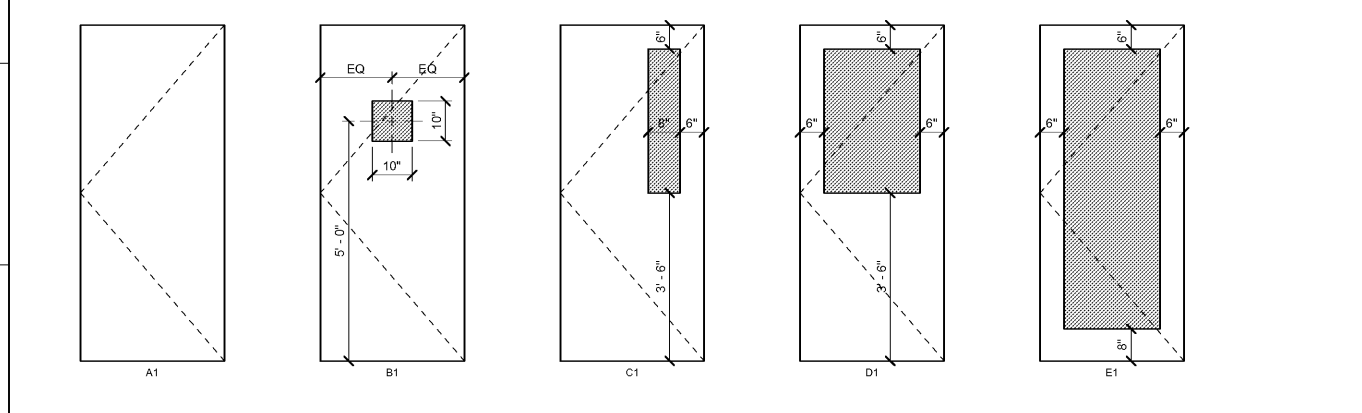
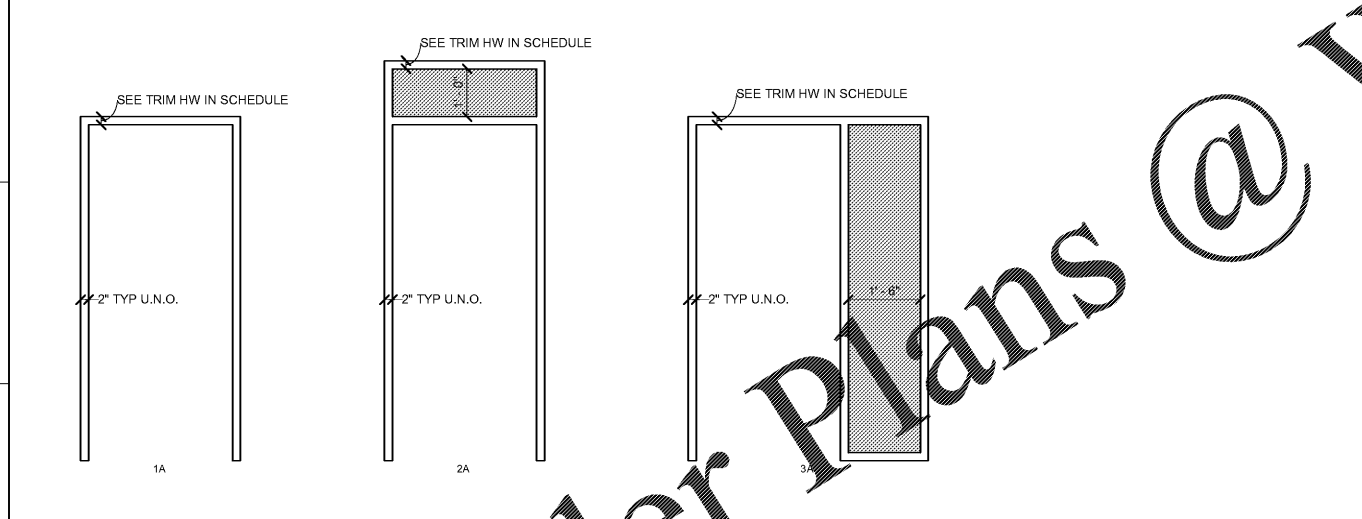


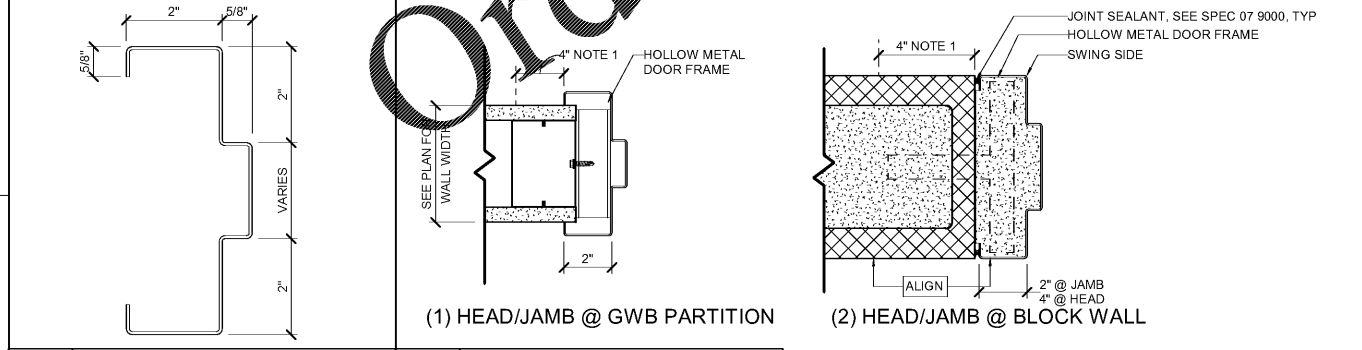
DOOR NO.	PR	DOOR		FRAME				GLASS		DETAILS		REMARKS		
		TYPE	WIDTH	TYPE	HEIGHT	T	MAT	FIN	TYPE	TRIM HW	MAT		RATING (MIN.)	
		DOOR 1	DOOR 2	DOOR 1	DOOR 2	DOOR 1	DOOR 2	DOOR 1	DOOR 2	DOOR 1	DOOR 2		DOOR 1	DOOR 2
7109E	E:1	3'-0"	0"	7'-0"	13/4"	WD	STN	1:A	2"	ST	0	A3 (1)	A3 (1)	HARDWARE SET 1; AUTO DOOR OPERATOR
7109G	E:1	3'-0"	0"	7'-0"	13/4"	WD	STN	1:A	2"	ST	0	A3 (1)	A3 (1)	HARDWARE SET 1
7124A	A:1	3'-0"	0"	7'-0"	13/4"	ST	PT	1:A	2"	ST	0	A3 (2)	A3 (2)	HARDWARE SET 2; NEW LINTEL PER DETAIL THIS SHEET
8017	E:1	3'-0"	0"	7'-0"	13/4"	WD	PT	1:A	2"	ST	0	A3 (1)	A3 (1)	HARDWARE SET 1
8109B	E:1	3'-0"	0"	7'-0"	13/4"	WD	STN	1:A	2"	ST	0	SG	A3 (1)	HARDWARE SET 1
8109C	E:1	3'-0"	0"	7'-0"	13/4"	WD	STN	1:A	2"	ST	0	SG	A3 (1)	HARDWARE SET 1
8122A	C:1	3'-0"	0"	7'-0"	13/4"	ST	PT	1:A	2"	ST	0	A3 (2)	A3 (2)	HARDWARE SET 2
8122B	A:1	3'-0"	0"	7'-0"	13/4"	ST	PT	1:A	2"	ST	0	A3 (2)	A3 (2)	HARDWARE SET 2
8124	A:1	3'-0"	0"	7'-0"	13/4"	ST	PT	1:A	2"	ST	0	A3 (2)	A3 (2)	HARDWARE SET 2; NEW LINTEL PER DETAIL THIS SHEET



F1 DOOR ELEVATION TYPES
0 1 2 3 4 FT

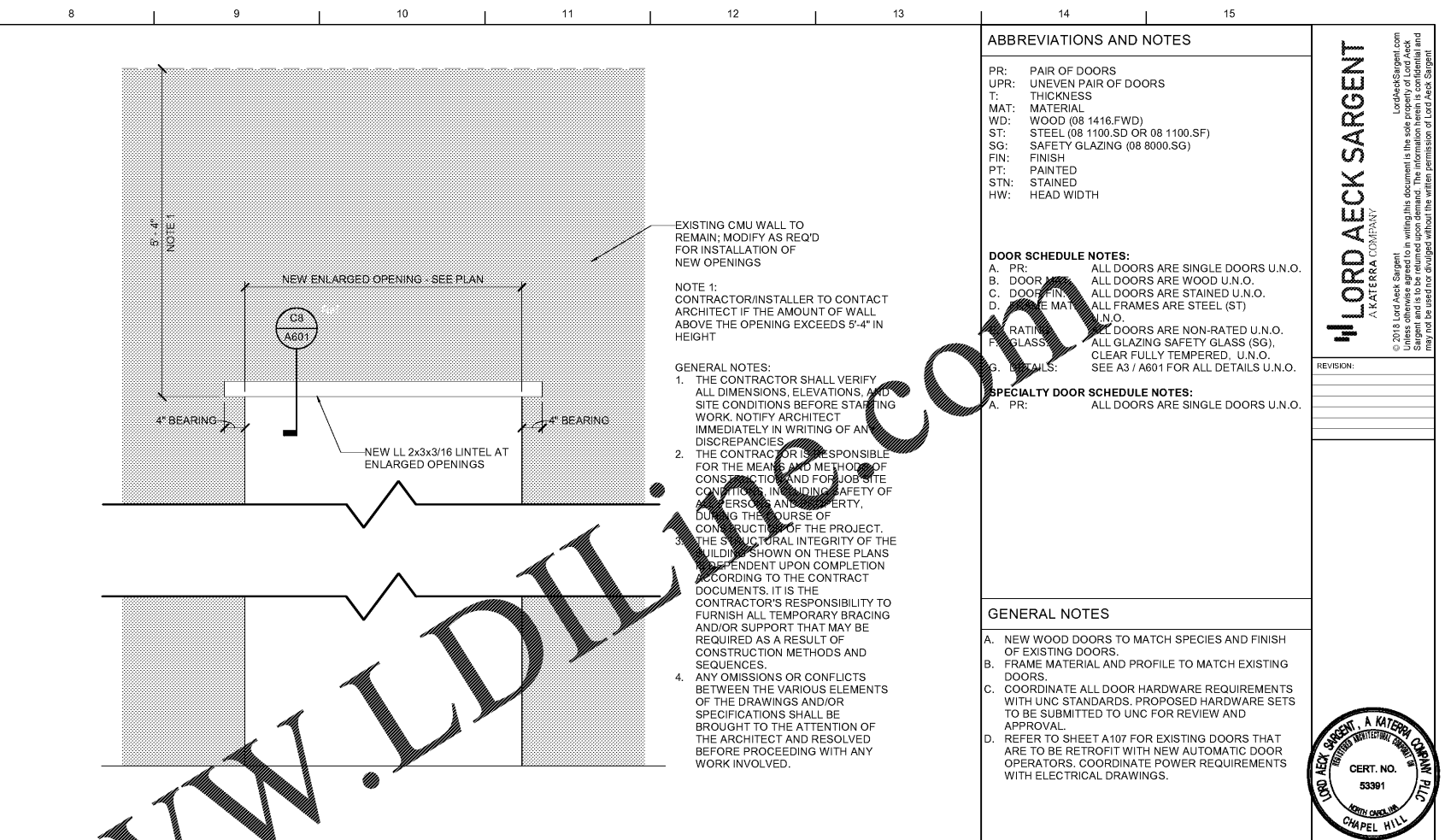


C1 DOOR FRAME TYPES
0 1 2 3 4 FT



A1 TYP DOOR FRAME PROFILE
0 1 2 3 4 6 IN

A3 TYP DOOR HEAD/JAMB DETAILS
0 1 2 3 4 6 12 IN



F8 NEW LINTEL ELEVATION
0 1 2 3 4 FT



C8 LINTEL DETAIL AT NEW OPENINGS
0 1 2 3 4 6 12 IN



A1 TYP DOOR FRAME PROFILE
0 1 2 3 4 6 IN

A3 TYP DOOR HEAD/JAMB DETAILS
0 1 2 3 4 6 12 IN

ABBREVIATIONS AND NOTES	
PR:	PAIR OF DOORS
UPR:	UNEVEN PAIR OF DOORS
T:	THICKNESS
MAT:	MATERIAL
WD:	WOOD (08 1416.FWD)
ST:	STEEL (08 1100.SD OR 08 1100.SF)
SG:	SAFETY GLAZING (08 8000.SG)
FIN:	FINISH
PT:	PAINTED
STN:	STAINED
HW:	HEAD WIDTH

DOOR SCHEDULE NOTES:	
A. PR:	ALL DOORS ARE SINGLE DOORS U.N.O.
B. DOOR FIN:	ALL DOORS ARE WOOD U.N.O.
C. DOOR FIN:	ALL DOORS ARE STAINED U.N.O.
D. FRAME MAT:	ALL FRAMES ARE STEEL (ST)
E. FRAME MAT:	ALL FRAMES ARE U.N.O.
F. RATING:	ALL DOORS ARE NON-RATED U.N.O.
G. GLASS:	ALL GLAZING SAFETY GLASS (SG), CLEAR FULLY TEMPERED, U.N.O.
H. DETAILS:	SEE A3 / A601 FOR ALL DETAILS U.N.O.

SPECIALTY DOOR SCHEDULE NOTES:	
A. PR:	ALL DOORS ARE SINGLE DOORS U.N.O.

GENERAL NOTES	
A.	NEW WOOD DOORS TO MATCH SPECIES AND FINISH OF EXISTING DOORS.
B.	FRAME MATERIAL AND PROFILE TO MATCH EXISTING DOORS.
C.	COORDINATE ALL DOOR HARDWARE REQUIREMENTS WITH UNC STANDARDS. PROPOSED HARDWARE SETS TO BE SUBMITTED TO UNC FOR REVIEW AND APPROVAL.
D.	REFER TO SHEET A107 FOR EXISTING DOORS THAT ARE TO BE RETROFIT WITH NEW AUTOMATIC DOOR OPERATORS. COORDINATE POWER REQUIREMENTS WITH ELECTRICAL DRAWINGS.

DOOR HARDWARE SETS	
HARDWARE SET 1	HINGES OFFICE AND INNER ENTRY LOCKSET DOOR SILENCERS WALL BUMPER (*DOOR HARDWARE COMPONENTS AND FUNCTION TO MATCH UNC REQUIREMENTS FOR OFFICE USE)
HARDWARE SET 2	HINGES OFFICE AND INNER ENTRY LOCKSET OVERHEAD STOP KICK PLATE MOP PLATE (*DOOR HARDWARE COMPONENTS AND FUNCTION TO MATCH UNC REQUIREMENTS FOR LAB/ RESEARCH SPACE USE)

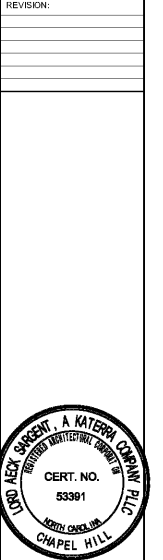
SHEET SPECIFIC NOTES	
1.	DISTANCE FROM FRAME TO INTERSECTING PARTITION U.N.O. ON PLANS OR DETAILS.

UNC SCHOOL OF MEDICINE NEUROSCIENCES RESEARCH BUILDING	
SCO PROJECT ID:	11-09861-02G
7th & 8th FLOORS FOR DERMATOLOGY	
LOCATION:	Farm Road, Campus Box 7250 115 Mason, North Carolina, 27598-7250 Chapel Hill, North Carolina

SEAL	
ISSUE DATE:	09/25/2019
JOB NO.:	10761-00
DWG. NO.:	A601
DATE:	09/25/2019

LORD AECK SARGENT
A KATERA COMPANY

© 2019 Lord Aeck Sargent, Inc. All rights reserved. The information herein is confidential and may not be used or duplicated without the written permission of Lord Aeck Sargent.



SHEET TITLE
DOOR ELEVATIONS, DETAILS, & SCHEDULE

SCALE (U.N.O.)

UNC SCHOOL OF MEDICINE
NEUROSCIENCES RESEARCH BUILDING
SCO PROJECT ID: 11-09861-02G
7th & 8th FLOORS FOR DERMATOLOGY

ISSUE DATE: 09/25/2019
JOB NO.: 10761-00
DWG. NO.: A601

Order Plans @

WWW.LORDAECKSARGENT.COM