

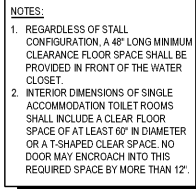
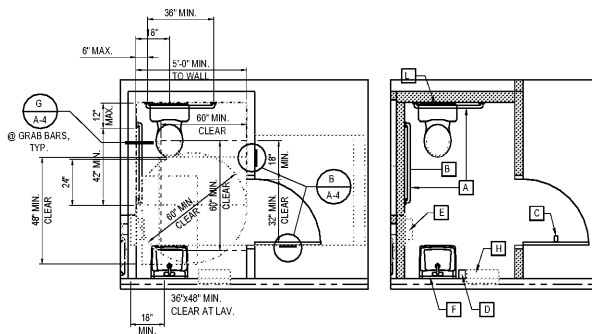
SINGLE ACCOMMODATION TOILETS

Definition: Single-Accommodation Sanitary Facility.
Single-accommodation sanitary facility is a room that has not more than one of each type of sanitary fixture, is intended for use by only one person at a time, has no partition around the toilet and has a door that can be locked on the inside by the room occupant.

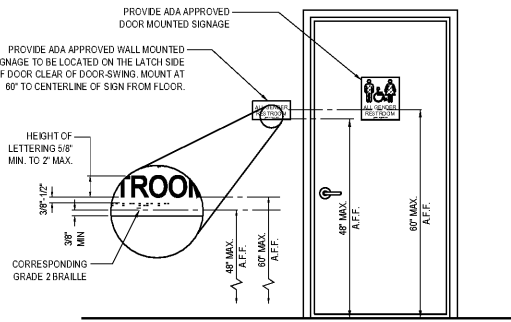
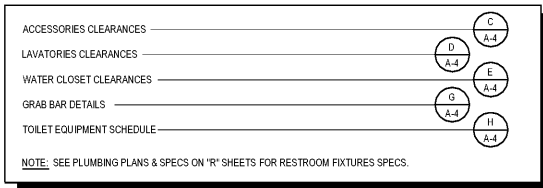
Accessible Fixtures.
Single-accommodation toilet facilities shall provide one accessible water closet and one accessible lavatory.
Clear Floor Space at Fixtures.
Doors shall not swing into the clear floor space required for any fixture.

Accessible Route.
All doors, fixtures and controls shall be on an accessible route.

Privacy Latch.
The entrance door to a single-accommodation toilet room shall contain a privacy latch.
a) Except at doors, the minimum clear width of the accessible route(s) is 36".
1. When the accessible route makes a 180-degree turn around an obstruction that is less than 48" wide, the clear width is 42" minimum approaching the turn, 48" minimum at the turn and 42" minimum leaving the turn.
2. When the accessible route makes a 180-degree turn around an obstruction that is a minimum of 60" wide, the clear width is 36" minimum approaching the turn, 60" minimum at the turn and 36" minimum leaving the turn.
b) The entry door has a privacy latch (push button-lever release recommended).
c) The entrance door to the single-accommodation restroom is accessible.
d) Sufficient space is provided for a wheelchair measuring 30" wide x 48" long to enter the room and permit the door to close.
e) A clear space of sufficient size to inscribe a 60" diameter circle, or a T-shaped clear space, is provided within the sanitary facility room.
1. The clear space is clear of objects from the floor to a height of 27".
2. No door encroaches more than 12" into the required clear space.
f) The centerline of the water closet is located at 18" distance from the side-wall or partition.
g) If the water closet is NOT ADJACENT to another fixture, a minimum 32"-wide clear floor space is provided from the opposite-side wall or partition to the side of the water closet, and extends from the rear wall to the front of the water closet.
h) If the water closet IS ADJACENT to another fixture, a minimum 28"-wide clear floor space is provided from the side of the water closet to the adjacent fixture, and extends from the rear wall to the front of the water closet.
i) A minimum 60" wide and 48" deep clear floor space is provided in front of the water closet.
j) The top of the toilet seat is 17"-19" from floor surface measured to the top of a maximum 2" high toilet seat.
k) The flush valve is on the wide side of the toilet area.
l) The flush valve is a maximum of 44" distance above the floor.
m) Water closet controls are operable with one hand and do not require light grasping, pinching or twisting.
n) 5lb maximum force is required to operate the flush valve.
o) Walls within compartment are smooth, hard and non-absorbent to 48" in height, and are not adversely affected by moisture (Portland cement, concrete, ceramic tile or other approved material).
p) Toilet room floor surfaces are smooth, hard and non-absorbent extending upward a minimum of 5' onto walls (Portland cement, concrete, ceramic tile or other approved material).
q) Grab bars within the accessible compartment are provided on the side wall closest to the water closet and on the rear wall.
r) The side grab bar has a minimum of 42" in length.
s) The side grab bar begins a maximum of 12" from the rear wall.
t) The front end of the side grab bar is positioned a minimum of 24" in front of the water closet.
u) The front end of the side grab bar is located a minimum of 54" from the rear wall.
v) The side grab bar does not project more than 5" into the required clear floor space.
w) The side grab bar is securely attached and is rounded at 33° to the center of the bar above and parallel to floor.
x) Rear grab bars a minimum 36" long.
y) The rear grab bar extends from the centerline of the water closet 12" minimum on one side and 24" minimum on the other side.
z) The rear grab bar does not project more than 3" into the required clear floor space.
aa) The rear grab bar is securely attached and is rounded at 33° to the center of the bar above and parallel to floor (for tank-type toilets, 36" may be allowed if tank obstructs placement of bar).
ab) The space between the rear grab bar and the top of the toilet tank is a minimum of 1-1/2".
ac) The diameter or width of the gripping surfaces of the grab bars are 1-1/4" to 1-1/2" or the shape provides an equivalent gripping surface.
ad) The clearance between the grab bar(s) and wall is 1-1/2".
ae) Minimum structural strength of grab bars will support a 250 lb. point load.
af) The grab bar(s) and any wall or other surface adjacent to it is free of any sharp or abrasive elements.
ag) Any edges on the grab bars have a minimum radius of 1/8".
ah) Grab bars do not rotate within their fittings.
ai) The toilet paper dispenser is located on the side wall below the grab bar within 7" to 9" of the front edge of the toilet seat.
aj) The toilet paper dispenser is mounted at a minimum height of 19" from the floor to the centerline of the dispenser.
ak) The toilet paper dispenser is mounted a maximum distance of 36" from the rear wall to the front of the dispenser.
al) The toilet paper dispenser allows for continuous paper flow and does not control delivery.



- NOTES:**
- REGARDLESS OF STALL CONFIGURATION, A 48" LONG MINIMUM CLEARANCE FLOOR SPACE SHALL BE PROVIDED IN FRONT OF THE WATER CLOSET.
 - INTERIOR DIMENSIONS OF SINGLE ACCOMMODATION TOILET ROOMS SHALL INCLUDE A CLEAR FLOOR SPACE OF AT LEAST 60" IN DIAMETER OR A T-SHAPED CLEAR SPACE. NO DOOR MAY ENCRoACH INTO THIS REQUIRED SPACE BY MORE THAN 12".



- DOOR MOUNTED SIGNAGE**
- (Men's) - Men's sanitary facilities are identified by an equilateral triangle 1 1/4" thick with edges 1 1/2" long and a vertex pointing upward. The triangle symbol contrasts with the door, either light on a dark background or dark on a light background.
 - (Women's) - Women's sanitary facilities are identified by a circle that is 1 1/4" thick with edges 1 1/2" long and a vertex pointing upward. The circle symbol contrasts with the door, either light on a dark background or dark on a light background.
 - (Unisex) - Unisex sanitary facilities are identified by a 1 1/4" diameter circle that is 1 1/4" thick with a 1/4" thick triangular superimposed within the circle. The triangle symbol contrasts with the circle symbol, either light on a dark background or dark on a light background.
 - The geometric symbols are centered horizontally on the door at a height of 60" above the finish floor or ground surface measured to the center of the symbol.
 - The edges of the signs are rounded, chamfered or eased, and all corners have a minimum radius of 1/8".

- WALL MOUNTED SIGNAGE**
- The restroom identification signage (i.e. MEN'S, WOMEN'S, etc.) is mounted on the wall adjacent to the latch side of the door.
 - Pictorial symbol signs (pictograms), if utilized in conjunction with verbal (i.e. identification), are located directly above the verbal (i.e. text) description and the border between this pictogram is a minimum of 6" in height.
 - Signs are mounted on the wall 60" above the finish floor to the centerline of the sign and the location allows a person to approach within 12" of the signage without encountering protruding objects or standing within the swing of a door.
 - Letters and numbers are in uppercase characters and are accompanied by Grade 2 Braille. Characters are a minimum of 5/8" high with a maximum of 2" high. Braille dots are domed or rounded.
 - The characters and background of the sign is equal, matte, or other non-glare finish and the color and contrast of the sign is distinctively contrasting with the color and contrast of the wall.

- SYMBOL OF ACCESSIBILITY**
- Accessible toilet facilities are identified by the International Symbol of Accessibility. The symbol consists of a white figure of a blue background.
 - Inaccessible sanitary facilities have accessible directional signage that indicates the location of the nearest accessible sanitary facilities.

TOILET ROOM SIGNAGE SPECIFICATIONS

NO SCALE 13E01

CODE	ITEM	MANUFACTURER & PRODUCT #	MOUNTING HEIGHT	REMARKS
A	GRAB BARS	ASI 3701-18P (18"), 36P (36") & 42P (42")	36" MAX. A.F.F. (NOTE C)	
B	TOILET TISSUE DISPENSER	KC PROFESSIONAL #0951	24" A.F.F. NOTE C & D	
C	COAT HOOK (ACCESSIBLE)	ASI 0751	48" MAX. A.F.F. NOTE A	
D	SOAP DISPENSER	DERMA FOAM E-KAY CHEMICAL COMPANY	NOTE A & C	
E	HAND DRYER	EXCEL DRYER INC. XL-8W	NOTE A, C, & E	
F	MIRROR	ASI 0620-2438	40" A.F.F. TO BOTTOM NOTE C	
G	CHEMICAL DISPENSER	PAG	NOTE A & C	
H	WASTE RECEPTACLE	ASI 0458	40" A.F.F. FOR ADA	
I	BABY CHANGING STATION	ASI 9012 HORIZONTAL	SEE INSTALLATION INSTRUCTIONS	
J	SWING-UP GRAB BAR	BOBRICK #B-4988.99	SEE INSTALLATION INSTRUCTIONS	
K	SANITARY NAPKIN DISPOSAL	ASI 0852		
L	SEAT COVER DISPENSER	ASI 0477 SM		
M	WALL SHELF	ASI 0892-116 (16")	40" MIN. 48" MAX. A.F.F. FOR ADA; NOTE C	

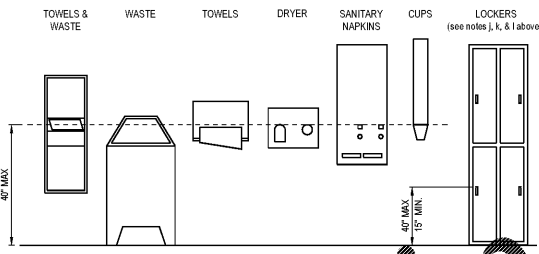
NOTES:
A. OPERATING CONTROLS OF ALL HAND DRYERS, SOAP DISPENSERS, AND MULTI-PURPOSE UNITS TO BE 40" A.F.F.
B. G.C. TO FIELD VERIFY ALL SIZES
C. PROVIDE BLOCKING FOR ALL WALL MOUNTED FIXTURES AND ACCESSORIES
D. TOILET TISSUE & PAPER TOWEL DISPENSERS SUPPLIED FREE FROM LOCAL DCP; INSTALLED BY G.C.
E. HAND DRYER TO BE ORDERED FROM NATIONAL ACCOUNTS SUPPLIER, AND IS REQUIRED TO HAVE STANDARD DBI GREEN MESSAGING/BRANDING.
ALTERNATE TOILET EQUIPMENT:
ALTERNATE HANDS-FREE TOILET EQUIPMENT IS AVAILABLE FOR OPTIONAL USE IN BATHROOMS
ALTERNATE WALL MOUNTED LAVATORY - "COMBARD" BY AMERICAN STANDARD #024151. PROVIDE ELECTRONIC HANDWASHING FAUCET SLOAN OPTIMA #ET-600 W/ TRANSFORMER #EL-154 AND AERATOR #ETEF-1024-A
ALTERNATE TOILET - "MADGERA" BY AMERICAN STANDARD - #045102. PROVIDE SLOAN FLUSHMETER ROYAL FITTERS S/W TRANSFORMER #EL-154; RECOMMENDED WORKING PRESSURE BETWEEN 25 PSI AT VALVE WHEN FLUSHING AND 80 PSI STATIC.
OPTIONAL URINAL - "ALLBROOK" FLOWSIDE 0.5 GPF W/ SIPHON JET BY AMERICAN STANDARD, PROVIDE FLUSH VALVE ELECTRONIC #0605.051.002 BY AMERICAN STANDARD.

TOILET EQUIPMENT SCHEDULE

NO SCALE

ACCESSORIES IN SANITARY FACILITIES AND LOCKERS

- A minimum 30" x 48" clear floor or ground space is provided to allow forward or parallel approach to accessories.
- One full unobstructed side of the clear floor or ground space adjoins or overlaps an accessible route or adjoins another wheelchair clear floor space.
- Mirrors located above accessible lavatories or countertops are installed with the bottom edge of the reflective surface 40" maximum above the finish floor or ground.
- When mirrors are provided at locations other than above lavatories or countertops, at least one is installed with the bottom edge of the reflective surface 35" maximum above the finish floor or ground.
- Operable parts (including coin slots) of all fixtures or accessories are located a maximum of 40" above floor (i.e., soap dispensers, towels, toilet seat covers, auto-dryers, sanitary napkins, dispensers, waste receptacles, etc.).
- Controls and operating mechanisms are operable with one hand and do not require light grasping, pinching, or twisting of the wrist.
- The force required to activate controls is 5 lb. maximum.
- Coat hooks and shelves are located within appropriate reach ranges (48" max. above floor recommended).
- If medicine cabinets are provided, at least one has a usable shelf no higher than 44" above floor.
- A minimum 30" by 48" clear floor space is provided in front of a medicine cabinet or locker to allow a forward or parallel approach.
- Where lockers are provided for the public, clients, employees, members or participants, at least one locker and not less than 5 percent of all lockers are accessible.
- Operable parts shall be operable with one hand and shall not require light grasping, pinching or twisting of the wrists. The force required to activate operable parts shall be 5 pounds.

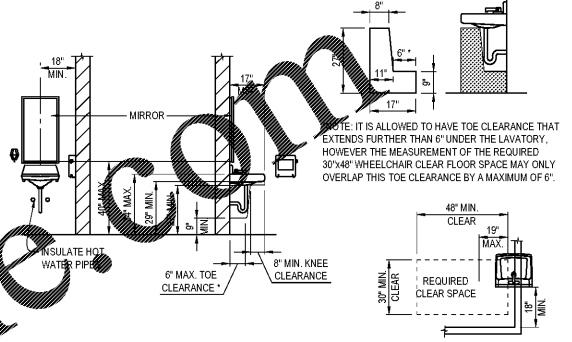


ACCESSORIES REQUIREMENTS & CLEARANCES

NO SCALE

LAVATORIES

- ACCESSIBLE FIXTURES:**
- If lavatories are provided, five percent (5%), or at least one lavatory, shall comply with the following provisions.
 - Minimum 30" x 48" clear space is provided in front of lavatory that allows forward approach.
 - Required clear space adjoins or overlaps an accessible route and extends a maximum of 19" underneath the lavatory.
 - Lavatories adjacent to a partition have a minimum 18" distance to the centerline of the fixture.
 - 34" maximum height of rim or counter above floor surface.
 - 25" minimum clearance from bottom of apron to the floor.
 - The accessible lavatory has a minimum 17" of horizontal depth.
 - Knee clearance under front lip is a minimum of 27" high, 30" wide, and extends a minimum of 6" in depth from the front of the lavatory.
 - Toe clearance under lavatory is a minimum of 9" high, 30" wide, and extends a minimum of 17" in depth from the front of the lavatory.
 - The toe clearance is free of equipment or obstructions and extends to a distance no more than 6" from the back wall.
 - Drain and hot water piping is insulated or configured to prevent contact.
 - There are no sharp or abrasive elements under lavatory.
 - Faucets are lever-type, push-type or electronically controlled mechanisms (preferable).
 - NOTE: Self-closing valves must maintain a minimum of 10 seconds open flow.
 - Faucet controls and operating mechanisms are operable with one hand and do not require light grasping, pinching or twisting of the wrist.
 - 5 lb. maximum force required to activate controls

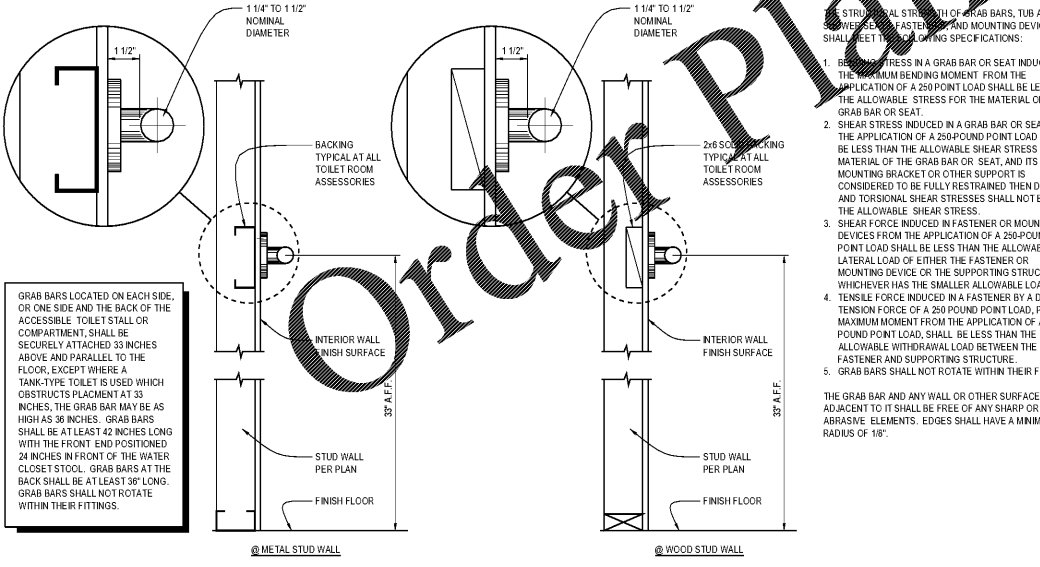


LAVATORIES REQUIREMENTS & CLEARANCES

NO SCALE

SINGLE ACCOMMODATION TOILET ROOM MINIMUM CLEARANCES

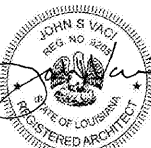
1/4" = 1'-0"



TOILET ROOM GRAB BAR DETAIL

1 1/2" = 1'-0"

JOHN S VACI, Architect
1138 BERWICK ROAD
BIRMINGHAM, AL 35242
205.541.7898
john@johnvaciarchitect.com



09 / 11 / 2019

BaskinBRRobbins
2400 North 7th Street
West Monroe, LA 71291
Store Number:

FRANCHISEE:
Ankur Patel
BP Scoops & Smiles LLC dba
BaskinRobbins
2408 Louisville Ave.
Monroe, LA 71201
(850) 368-9477
ankurpatel03@yahoo.com

ISSUED / REVISED	DATE
08/11/2019	08/11/2019
ISSUED FOR PERMIT	

RESTROOM DETAILS

NO SCALE

A-6.0